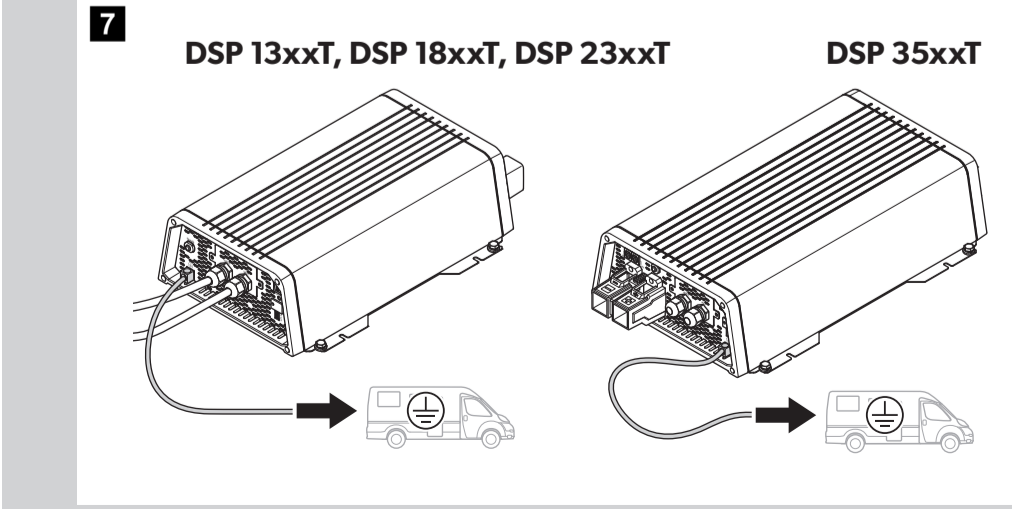


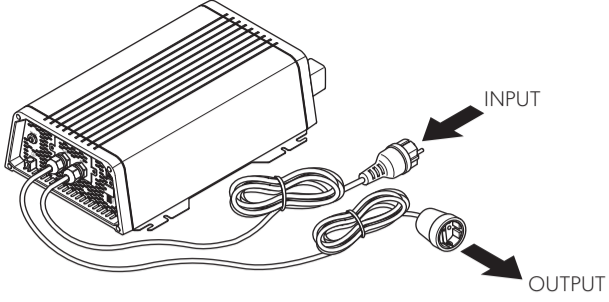
	bk	rd	bk	rd	bk	rd		
EN	Black	Red	NL	Zwart	Rood	PL	Czarny	Czerwony
DE	Schwarz	Rot	DA	Sort	Rød	SK	Čierna	Červená
FR	Noir	Rouge	SV	Svart	Röd	CS	Černá	Červená
ES	Negro	Rojo	NO	Svart	Rød	HU	Fekete	Piros
PT	Preto	Vermelho	FI	Musta	Punainen			
IT	Nero	Rosso	RU	Черный	Красный			



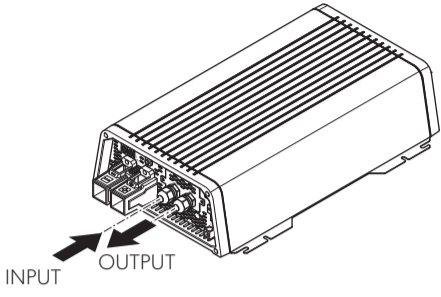


8

DSP 13xxT, DSP 18xxT, DSP 23xxT

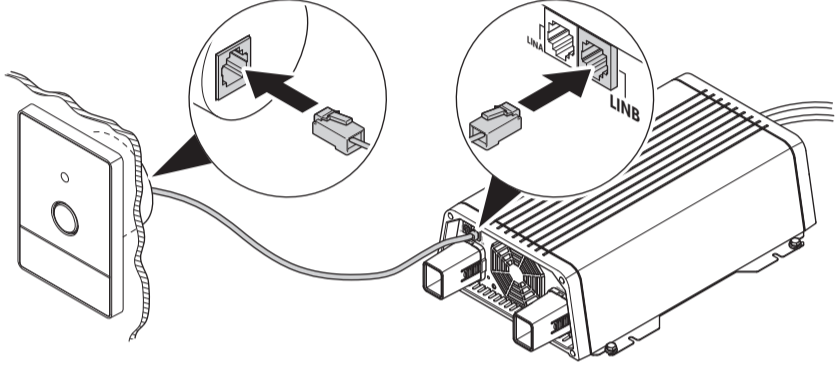


DSP 35xxT

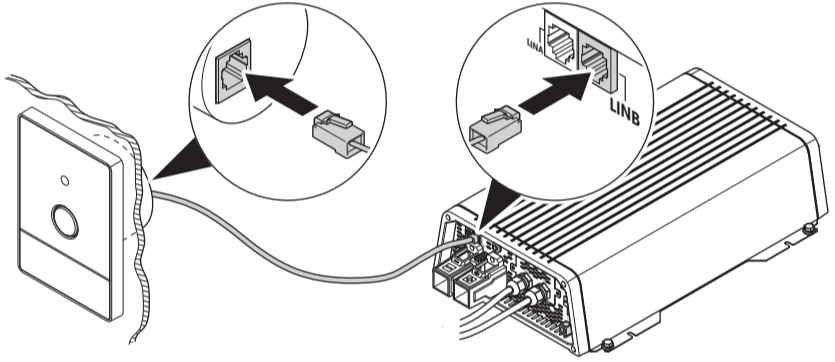


9

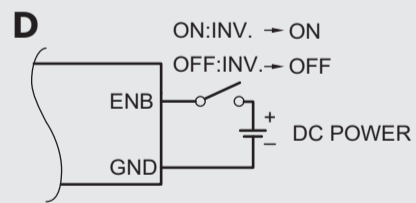
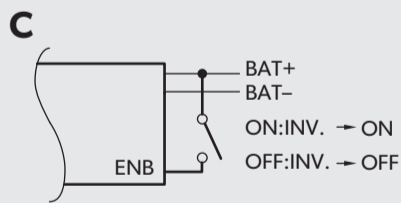
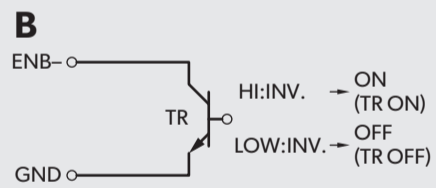
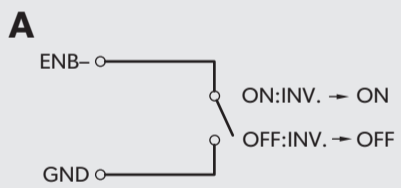
DSP 13xxT, DSP 18xxT, DSP 23xxT



DSP 35xxT



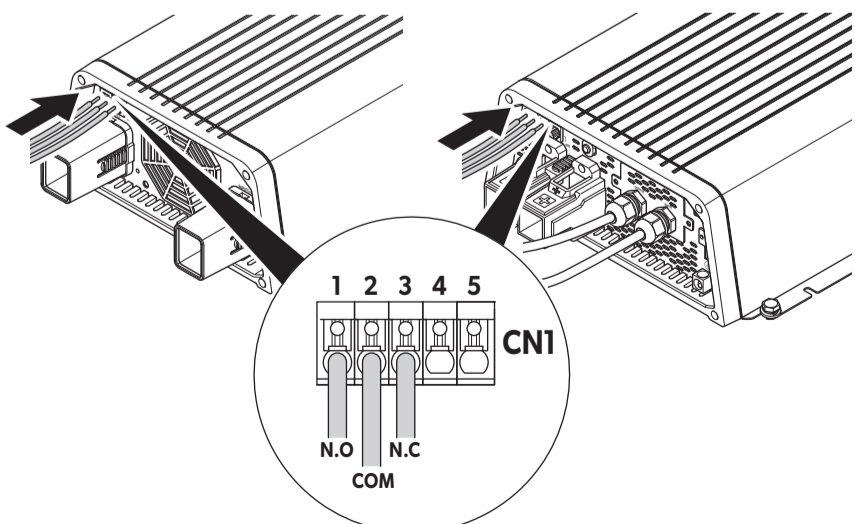
10



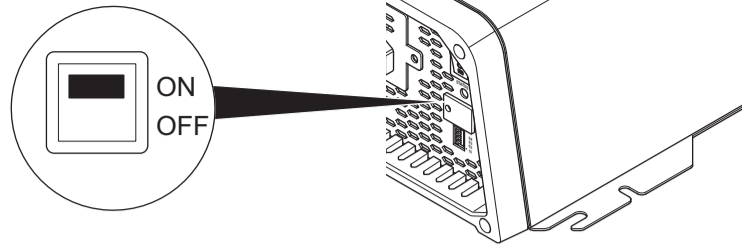
11

DSP 13xxT, DSP 18xxT, DSP 23xxT

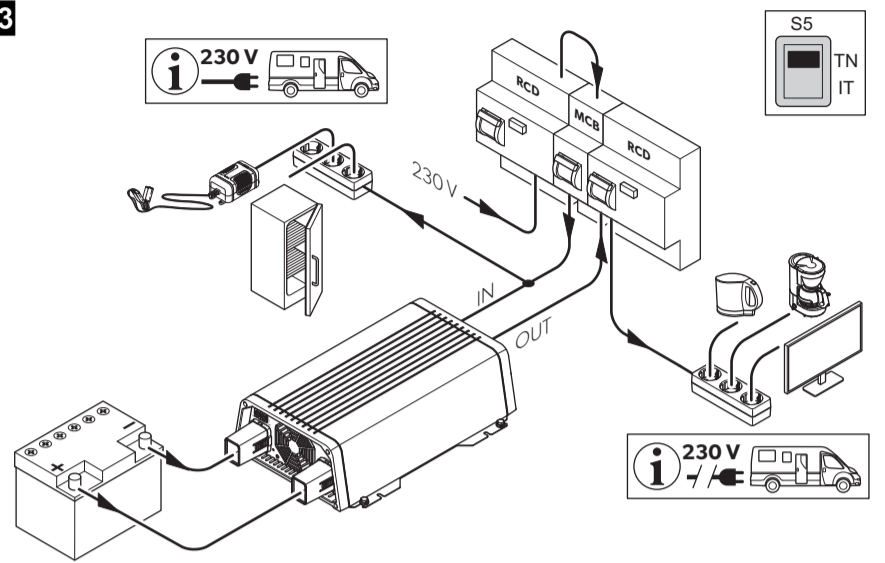
DSP 35xxT



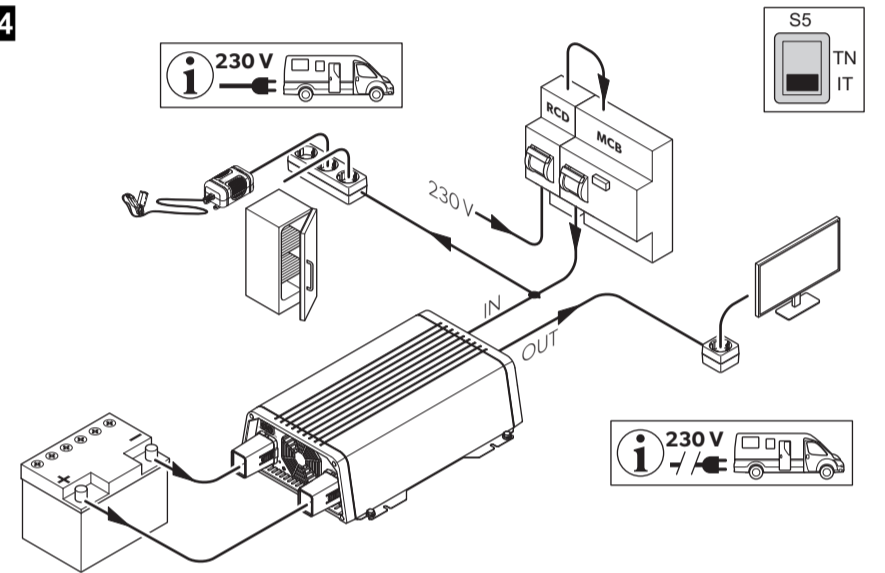
12



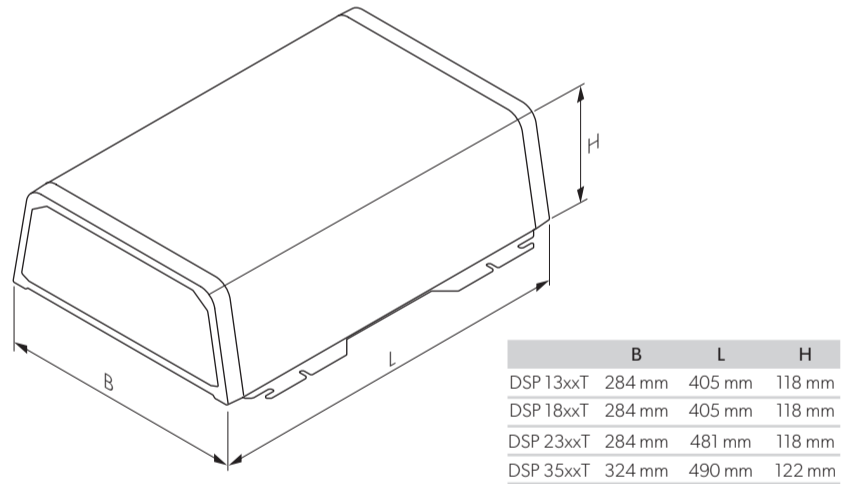
13



14



15



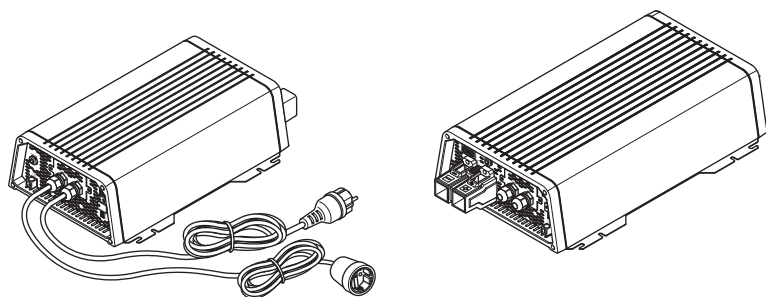
DOMETIC

Dometic WAECO International GmbH  
 Hollefeldstrasse 63  
 D-48282 Emsdetten  
 dometic.com

# ↗ DOMETIC

# ENERGY & LIGHTING

# SINEPOWER



DSP1312T, DSP1324T, DSP1812T, DSP1824T,  
DSP2312T, DSP2324T, DSP3512T, DSP3524T

<b>EN</b>	<b>Sine wave inverter</b> Installation and Operating Manual . . . . . 3	<b>SV</b>	<b>Sinus växelriktare</b> Monterings- och bruksanvisning . . . . . 193
<b>DE</b>	<b>Sinus-Wechselrichter</b> Montage- und Bedienungsanleitung . . . . . 27	<b>NO</b>	<b>Sinus vekselretter</b> Monterings- og bruksanvisning . . . . . 215
<b>FR</b>	<b>Onduleur sinusoïdal</b> Instructions de montage et de service . . . . . 52	<b>FI</b>	<b>Sinus -vaihtosuuntaaja</b> Asennus- ja käyttöohje . . . . . 237
<b>ES</b>	<b>Convertidor de ondas seno</b> Instrucciones de montaje y de uso . . . . . 76	<b>RU</b>	<b>Синусоидальный инвертор</b> Инструкция по монтажу и эксплуатации 259
<b>PT</b>	<b>Conversor sinusoidal</b> Instruções de montagem e manual de instruções . . . . . 100	<b>PL</b>	<b>Przetwornica sinusoidalna</b> Instrukcja montażu i obsługi . . . . . 283
<b>IT</b>	<b>Inverter sinusoidale</b> Istruzioni di montaggio e d'uso . . . . . 124	<b>SK</b>	<b>Sínusový menič napätia</b> Návod na montáž a uvedenie do prevádzky . . . . . 306
<b>NL</b>	<b>Sinus ondulator</b> Montagehandleiding en gebruiksaanwijzing . . . . . 148	<b>CS</b>	<b>Sínusový měnič</b> Návod k montáži a obsluze . . . . . 329
<b>DA</b>	<b>Sinus ensretter</b> Monterings- og betjeningsvejledning . . . 171	<b>HU</b>	<b>Szinuszos inverter</b> Szerelési és használati útmutató . . . . . 351



**Please read this instruction manual carefully before installation and first use, and store it in a safe place. If you pass on the product to another person, hand over this instruction manual along with it.**

## Table of contents

1	Explanation of symbols . . . . .	4
2	General safety instructions . . . . .	4
3	Scope of delivery . . . . .	8
4	Accessories . . . . .	8
5	Target group for this manual. . . . .	8
6	Intended use . . . . .	9
7	Technical description . . . . .	9
8	Fitting the inverter . . . . .	12
9	Connecting the inverter . . . . .	14
10	Using the inverter . . . . .	17
11	Cleaning and caring for the inverter. . . . .	20
12	Troubleshooting . . . . .	21
13	Warranty . . . . .	22
14	Disposal . . . . .	22
15	Technical data . . . . .	23

# 1 Explanation of symbols

**DANGER!**

**Safety instruction:** Failure to observe this instruction will cause fatal or serious injury.

**WARNING!**

**Safety instruction:** Failure to observe this instruction can cause fatal or serious injury.

**NOTICE!**

Failure to observe this instruction can cause material damage and impair the function of the product.

**NOTE**

Supplementary information for operating the product.

## 2 General safety instructions

### 2.1 General safety

The manufacturer accepts no liability for damage in the following cases:

- Faulty assembly or connection
- Damage to the product resulting from mechanical influences and excess voltage
- Alterations to the product without express permission from the manufacturer
- Use for purposes other than those described in the operating manual

Note the following basic safety information when using electrical devices to protect against:

- Electric shock
- Fire hazards
- Injury

## 2.2 General safety



### DANGER!

- In the event of fire, use a fire extinguisher which is suitable for electrical devices.



### WARNING!

- Only use the device as intended.
- Ensure that the red and black terminals **never** come into contact.
- Disconnect the device from the mains:
  - Before cleaning and maintenance
- If you disassemble the device:
  - Detach all connections
  - Make sure that no voltage is present at any of the inputs and outputs
- The device may not be used if the device itself or the connection cable are visibly damaged.
- If this power cable for this device is damaged, it must be replaced by the manufacturer, customer service or a similarly qualified person in order to prevent safety hazards.
- This device may only be repaired by qualified personnel. Inadequate repairs may cause serious hazards.
- This device can be used by children aged 8 years or over, as well as by persons with diminished physical, sensory or mental capacities or a lack of experience and/or knowledge, providing they are supervised or have been taught how to use the device safely and are aware of the resulting risks.
- **Electrical devices are not toys.**  
Always keep and use the appliance out of the reach of children.
- Children must be supervised to ensure that they do not play with the device.



### NOTICE!

- Before start-up, check that the voltage specification on the type plate is the same as that of the power supply.
- Ensure that other objects **cannot** cause a short circuit at the contacts of the device.
- Never pull the plug out of the socket by the connection cable.
- Store the device in a dry and cool place.

## 2.3 Safety when installing the device



### **DANGER!**

- Never mount the device anywhere where there is a risk of gas or dust explosion.



### **CAUTION!**

- Ensure that the device is standing firmly.  
The device must be set up and fastened in such a way that it cannot tip over or fall down.



### **NOTICE!**

- Do not expose the device to a heat source (such as direct sunlight or heating). Avoid additional heating of the device in this way.
- Set up the device in a dry location where it is protected against splashing water.

## 2.4 Safety when connecting the device electronically



### **DANGER! Danger of electrocution**

- If you are working on electrical systems, ensure that there is somebody close at hand who can help you in emergencies.



### **WARNING!**

- Make sure that the lead has a sufficient cross-section.
- Lay the cables so that they cannot be damaged by the doors or the bonnet.  
Crushed cables can lead to serious injury.



### **CAUTION!**

- Lay the cables so that they cannot be tripped over or damaged.



**NOTICE!**

- Use ductwork or cable ducts if it is necessary to lay cables through metal panels or other panels with sharp edges.
- Do **not** lay the 230 V mains cable and the 12 V DC cable in the same duct.
- Do **not** lay the cable so that it is loose or heavily kinked.
- Fasten the cables securely.
- Do not pull on the cables.

## 2.5 Operating the device safely

**DANGER! Danger of electrocution**

- Do not touch exposed cables with your bare hands.

**WARNING!**

- Only use the device in closed, well-ventilated rooms.

**CAUTION!**

- Do **not** operate the device
  - In salty, wet or damp environments
  - In the vicinity of corrosive fumes
  - In the vicinity of combustible materials
  - In areas where there is a danger of explosions.
- Before starting the device, ensure that the power supply line and the plug are dry.
- Always disconnect the power supply when working on the device.
- Please observe that parts of the device may still conduct voltage even if the fuse has blown.
- Do not disconnect any cables when the device is still in use.

**NOTICE!**

- Make sure the air inlets and outlets of the device are not covered.
- Ensure good ventilation.

### 3 Scope of delivery

No. in fig. 1	Designation
1	Sine wave inverter
2	Connection cable with safety coupling (for 230 V~ output)
3	Connection cable with safety plug (for 230 V~ supply)
–	Operating manual

### 4 Accessories

Designation	Ref. no.
Remote control	9600002564
Energy monitor	9600002565

### 5 Target group for this manual

The electrical installation (chapter “Connecting the inverter” on page 14) is intended for professionals who are familiar with the applicable regulations of the country in which the equipment is to be installed and/or used.

All other chapters are intended for the users.

## 6 Intended use



### WARNING!

Never use the inverter on vehicles where the positive terminal of the battery is connected to the chassis.

The wave inverter converts direct current into a 230 – 240 V AC supply of 50 Hz or 60 Hz:

- **12 V $\overline{=}$** : DSP1312T, DSP1812T, DSP2312T, DSP3512T
- **24 V $\overline{=}$** : DSP1324T, DSP1824T, DSP2324T, DSP3524T

## 7 Technical description

The inverters can be operated wherever a DC connection is available:

- **12 V $\overline{=}$** : DSP1312T, DSP1812T, DSP2312T, DSP3512T
- **24 V $\overline{=}$** : DSP1324T, DSP1824T, DSP2324T, DSP3524T

The light-weight and compact construction of this device allows for easy installation in mobile homes, commercial vehicles or motor and sailing yachts.

The output voltage corresponds to the household voltage from the socket (pure sine wave, THD < 3 %).

Please observe the values for constant output power and peak output power as indicated in chapter "Technical data" on page 23. Never connect devices that have a higher power requirement.



### NOTE

Note when connecting devices with an electrical drive (such as power drills and refrigerators), that they often require more power than is indicated on the type plate.

The inverter has various protective mechanisms.

- **Overvoltage shutdown:** The inverter shuts itself off when the voltage exceeds the cut-off value. It restarts when the voltage returns to the restart value.
- **Undervoltage shutdown:** The inverter shuts itself off when the voltage sinks below the cut-off value. It restarts when the voltage rises to the restart value.
- **Excess temperature shutdown:** The inverter switches off when the temperature inside the device or the temperature on the cooling element exceeds a cut-off value. It restarts when the voltage rises to the restart value.
- **Overloading and short circuit shutdown:** The LED on the inverter indicates an operating fault when an excess load is connected or a short circuit has occurred. The fuse in the device must be pressed in again by hand after it is triggered by excess current.

**NOTE**

The individual values are found in the chapter “Technical data” on page 23.

The inverter can be operated in the following network configurations:

- **TN network:**  
The neutral conductor of the inverter is grounded. A downstream safety switch (RCD) **must** be installed.
- **IT network:**  
Both phases are insulated. This is suitable for operating one load. If more than one load will be connected a protection plan has to be set up (e. g. insulation monitor).

The network configuration is set via a DIP switch at the device.

The inverters DSP13xxT, DSP18xxT, DSP23xxT have a connection cable with socket and plug. The inverter DSP35xxT is directly connected at the terminals via the PG glands.

Due to the phase synchronisation the inverter adapts to the phase of the AC input voltage. Thereby voltage peaks are prevented when switching from battery to mains.

The inverter is suitable for operating sensitive consumers because the output voltage is a pure sinus wave.

The inverter is fitted with a priority circuit. If an external 230 V~ voltage is available, this will have priority. If no external 230 V~ voltage is connected, then the connected battery will be used as the power supply.

The inverter can be switched to an energy-saving mode to prevent the connected battery from discharging too quickly.

The inverter can be turned on or off using the remote control (**accessory**).

Additionally, the inverter can be controlled using the energy monitor (**accessory**).

## 7.1 Control elements

No. in fig. <b>2</b>	Description	Description
1	Main switch	<b>O</b> : Switches the device permanently off <b>I</b> : Switches the device permanently on <b>II</b> : The device can be switched on or off via a remote control ( <b>accessory</b> )
2	Status LED	See chapter "Status indications" on page 17
3	Fuse	Protects the inverter from overload. The fuse can be pressed in again once it has triggered.
4	Dip switch	Makes settings on the inverter See chapter "Configuring the inverter" on page 18

## 7.2 Connections



### NOTE

The version for continental Europe is depicted.

No. in fig. 2	Description
5	AC input ( <b>DSP 35xxT</b> : PG fitting)
6	AC output ( <b>DSP 35xxT</b> : PG fitting)
7	Ground terminal (Earthing on the vehicle bodywork)
8	Positive terminal
9	Negative terminal
10	CI/LIN BUS connections (LINA)
11	Remote control connection (LINB)
12	Connection of remote switch
13	Fan (backside)

## 8 Fitting the inverter



### NOTE

Before fitting the inverter, you should connect all cables because all connections are freely accessible.

### 8.1 Tools required

For the **electrical connection** you will need the following tools:

- Crimping tool
- 3 multi-coloured, flexible connection cables. Determine the necessary thickness from the table in chapter "Connecting the inverter" on page 14.
- Cable lugs and conductor sleeves

For **fastening** you will require the following tools:

- Machine bolts (M4) with washers and self-locking nuts or
- self-tapping screws or wood screws.

## 8.2 Mounting instructions

When selecting the installation location, observe the following instructions:

- The inverter can be mounted horizontally or vertically.
- The inverter must be installed in a place that is protected from moisture.
- The inverter may not be installed in the presence of flammable materials.
- The inverter may not be installed in a dusty environment.
- The place of installation must be well ventilated. A ventilation system must be available for installations in small, enclosed spaces. The minimum clearance around the inverter must be at least 5 cm (fig. **3**).
- The ventilation holes on the front and back of the inverter must remain clear.
- For ambient temperatures higher than 40 °C (such as in engine or heating compartments, or direct sunlight), the inverter may shut down although the connected load is below the rated load (derating).
- The device must be installed on a level and sufficiently sturdy surface.



### **NOTICE!**

Before drilling any holes, make sure that no electrical cables or other parts of the vehicle can be damaged by drilling, sawing and filing.

## 8.3 Mounting the inverter

- Mount the inverter as shown (fig. **4**).

## 9 Connecting the inverter

### 9.1 General instructions



#### WARNING!

- The inverter may only be connected by a qualified workshop. The following information is intended for technicians who are familiar with the guidelines and safety precautions to be applied.
- **Never** use the inverter on vehicles where the positive terminal of the battery is connected to the chassis.
- If you do not fit a fuse to the **positive cable**, the cables can overload, which might result in a fire.

- When installed in vehicles or boats, the inverter must be connected to the chassis or earth.
- When setting up a socket distribution circuit (mains setup), comply with the applicable regulations.
- Only use copper cables.
- Keep the cables as short as possible (< 1 m).
- For grounding use a cable with a minimum cross section of 4 mm<sup>2</sup>.
- Keep to the specified cable cross section and fit a cable fuse (fig. **6**) as close to the battery as possible on the positive cable (see the table).

Device	Required cable cross section	Cable fuse
DSP1312T	35 mm <sup>2</sup>	200 A
DSP1324T	25 mm <sup>2</sup>	150 A
DSP1812T	50 mm <sup>2</sup>	250 A
DSP1824T	25 mm <sup>2</sup>	150 A
DSP2312T	70 mm <sup>2</sup>	300 A
DSP2324T	35 mm <sup>2</sup>	200 A
DSP3512T	2 x 50 mm <sup>2</sup>	2 x 250 A
DSP3524T	50 mm <sup>2</sup>	250 A



## 9.2 Connecting the inverter



### WARNING!

Before connecting the AC output cable, make sure the inverter is switched off at the main switch.



### NOTICE!

Make sure that you do not reverse the polarity. Incorrect polarity can damage the inverter.



### NOTE

Tighten the nuts and bolts to a maximum torque of 15 Nm. Loose connections may cause overheating.

- Connect the inverter as shown:
  - Connecting the battery: fig. **5** and fig. **6**
  - Connecting the ground terminal fig. **7**
  - Connecting the 230 V power cable: fig. **8** (INPUT)
  - Connecting the 230 V output cable: fig. **8** (OUTPUT)

## 9.3 Connecting multiple appliances

The device is equipped at delivery with galvanic isolation. For the safe operation of multiple appliances, it is essential that a circuit breaker (residual current circuit breaker) is built into the socket distribution circuit.

- Install a residual current circuit breaker in the socket distribution circuit.

## 9.4 Connecting the remote control (accessory)



### NOTICE!

Only plug in the connection to the remote control in the remote port. The device can be damaged by connecting it incorrectly.

- Connect the remote control as shown (fig. **9**).

## 9.5 Connecting external switch to turn device on and off



### NOTE

Use cables with a cable cross section of 0.25 – 0.75 mm<sup>2</sup>.

You can use the following as an external switch:

- External switch, voltage supply from the inverter: fig. 10 A
  - Control unit with relay or transistor circuit (TR): fig. 10 B
  - External switch with voltage supply from the battery (BAT) of the vehicle: fig. 10 C
  - External switch with its own voltage supply (DC POWER) e.g. from the ignition: fig. 10 D
- Set the main switch (fig. 2 1) to “OFF”.
- Make sure that the connection for the remote control (fig. 2 11) is not assigned.
- Set the main switch (fig. 2 1) to “REMO.”.
- Connect the external on/off switch with the connection cable to the terminal (fig. 2 12).

## 9.6 Connecting the fault display relay

You can install a relay which monitors whether the 230 V input is connected. Thereby you can, for example, implement an immobiliser so that the vehicle cannot be started when the 230 V input is connected.

- Connect the relay as shown (fig. 11):
- NO: normally open contact
  - COM: common contact
  - NC: normally closed contact

Relay specification:

Maximum voltage	Load	Current consumption	
		NO	NC
250 V~	Ohmic	0.5 A	0.5 A
12 V/24 V==	Ohmic	1 A	1 A

## 10 Using the inverter

### 10.1 Switching on the inverter

- Set the main switch (fig. **2** 1) of the inverter as follows:
  - “**O**”: to switch the inverter permanently off
  - “**I**”: to switch the inverter permanently on
  - “**II**”: to switch the inverter on and off with a remote control (**accessory**)
- The inverter performs a self-test when starting.
- ✓ After the self-test is completed successfully, the LED lights up blue (fig. **2** 2).

### 10.2 Status indications

The blue LED (fig. **2** 2) shows the operating condition of the inverter.

Display	Input voltage
Constantly lit	Normal mode
Long flash, short interruption	Inverter overheated/Overload
Quick flash	Overvoltage/Undervoltage
Short flash, long interruption	Insulation monitor has shut down the inverter
Off	Other fault

The inverter switches off if:

- The battery voltage drops below 10 V (12 V $\leftarrow$  connection) or 20 V (24 V $\leftarrow$  connection).
  - The battery voltage exceeds 16.5 V (12 V $\leftarrow$  connection) or 33 V (24 V $\leftarrow$  connection).
  - The inverter is overloaded.
  - The inverter overheats.
- If this happens, shut down the inverter with the main switch (fig. **2** 1).
  - Check that the inverter is sufficiently ventilated and that the ventilation grilles are unimpeded.
  - Wait 5 – 10 minutes and switch the inverter on again without any electric consumers.

## 10.3 Switching to energy-saving mode



### NOTE

The energy-saving mode can be set with a remote control only.

## 10.4 Configuring the inverter

You can adjust the device using the DIP switch (fig. **2** 4).

### Defining settings

Using the S1 dip switch you can define whether the parameter of the setting should be made using the connection of a CI BUS capable control panel or the dip switches.

Parameter	Dip switch
	S1
Remote control connection	Off
Dip switch	On

### Setting the mains voltage

You can set the mains voltage using the S2 dip switch.

Mains voltage	DIP switch
	S2
230 V/50 Hz	Off
240 V/60 Hz	On

## Switching to energy-saving mode

You can set the energy-saving mode using the S3 and S4 dip switches. In this way, the battery you connect to the inverter is not discharged as quickly.

The inverter operates in energy-saving mode as long as the required power is below the set level. If the required power exceeds the set level, the inverter works in normal mode.

The values to be set on your inverter can be found in the following table:

Energy-saving mode	DIP switch	
	S3	S4
Saving mode activated when load < 45 W Normal mode activated when load > 45 W	Off	Off
Saving mode activated when load < 1 W Inverter shuts automatically down after operation 20 min in saving mode Normal mode activated when load > 1 W	On	Off
Saving mode activated when load < 1 W Normal mode activated when load > 1 W	Off	On
Saving mode activated when load < 45 W Inverter shuts automatically down after operation 20 min in saving mode Normal mode activated when load > 45 W	On	On

## Setting net configuration

Using the S5 dip switch you can define in which net configuration the inverter shall operate.

Parameter	Dip switch S5
TN grid An external downstream <b>circuit breaker (RCD) is necessary.</b>	Off
IT grid Operation with one load only or installation of an external insulation monitor. <b>National standards shall apply!</b>	On

# 11 Cleaning and caring for the inverter



### NOTICE!

Do not use sharp or hard objects or cleaning agents for cleaning as these may damage the product.

- Occasionally clean the product with a damp cloth.

## 12 Troubleshooting



### WARNING!

Do not open the device. You risk sustaining an electric shock by doing this.



### NOTE

If you have detailed questions on the **specifications of the inverter** please contact the manufacturer (addresses on the back of the instruction manual).

The LED (fig. **2** 2) indicates the fault:

LED display	Cause	Remedy
Quick flash	Input voltage is too high	Check the input voltage and reduce it.
	Input voltage too low	The battery needs recharging. Check the cables and connections.
2 s lit, short interruption	Overheating	Switch off the inverter and the consumer. Wait 5 to 10 minutes and switch the inverter on again without any electric consumers. Reduce the load and make sure the inverter has better ventilation. Then switch the consumer back on.
	Excessive load	Switch off the inverter and remove the consumer. Then switch the inverter back on without the consumer. If no excessive load is now shown, then there is a short circuit in the consumer or the total load was higher than the power specified on the data sheet. Check the cables and connections. Press in the fuse in the device again by hand.
Off	Other fault	Contact the service.

## 13 Warranty

The statutory warranty period applies. If the product is defective, please contact the manufacturer's branch in your country (see the back of the instruction manual for the addresses) or your retailer.

For repair and guarantee processing, please include the following documents when you send in the device:

- A copy of the receipt with purchasing date
- A reason for the claim or description of the fault

## 14 Disposal

- Place the packaging material in the appropriate recycling waste bins wherever possible.





If you wish to finally dispose of the product, ask your local recycling centre or specialist dealer for details about how to do this in accordance with the applicable disposal regulations.



## 15 Technical data

The following technical data applies to all inverters:

Output voltage:	230/240 V~ ± 3 %, pure sine wave (THD < 3 %)
Output frequency:	50/60 Hz ± 0,3 Hz
Heat dissipation:	temperature and load controlled fan
Ambient temperature at operation:	-20 °C to +60 °C
Ambient temperature for storage:	-30 °C to +70 °C
Power control:	≥40 °C
Bypass relay:	16 A/250 V~
Bypass switching with voltage synchronisation:	<20 ms
Air humidity:	0 – 95 %, non-condensing
Testing/certification:	 

	<b>DSP1312T</b>	<b>DSP1812T</b>	<b>DSP1324T</b>	<b>DSP1824T</b>
Ref. no.:	9600002551	9600002553	9600002552	9600002554
Rated input voltage:	12 V $\equiv$		24 V $\equiv$	
Input voltage range:	10 – 16.5 V $\equiv$		20 – 33 V $\equiv$	
Rated load:	1200 W	1800 W	1200 W	1800 W
Maximum power for 10 min:	1300 W	1800 W	1300 W	1800 W
Maximum power for 3 min:	1380 W	2070 W	1380 W	2070 W
Surge power for 2 s:	2400 W	3600 W	2400 W	3600 W
Idle current consumption:	2.5 A	2.5 A	1.3 A	1.3 A
Standby current consumption at rated voltage:	<0.2 A	<0.2 A	<0.1 A	<0.1 A
Efficiency:	>89 %		>90 %	
Power adjustment at input voltages between 10.0 V and 10.5 V:	1020 W	1530 W	1020 W	1530 W
Power adjustment at temperatures above 40 °C:	1.75 % of rated load per degree above 40 °C			
Dimensions W x L x H:	fig. <b>15</b>			
Weight:	4.8 kg	6.1 kg	4.8 kg	6.1 kg

	<b>DSP2312T</b>	<b>DSP3512T</b>	<b>DSP2324T</b>	<b>DSP3524T</b>
Ref. no.:	9600002555	9600002557	9600002556	9600002558
Rated input voltage:	12 V $\equiv$		24 V $\equiv$	
Input voltage range:	10 – 16.5 V $\equiv$		20 – 33 V $\equiv$	
Rated load:	2000 W	3000 W	2000 W	3000 W
Maximum power for 10 min ( $U_{IN} > 12,5$ V):	2300 W	3500 W	2300 W	3500 W
Maximum power for 3 min ( $U_{IN} > 10,5$ V):	2300 W	3500 W	2300 W	3500 W
Surge power for 2 s:	4000 W	6000 W	4000 W	6000 W
Idle current consumption:	2.8 A	3.6 A	1.4 A	1.8 A
Standby current consumption at rated voltage:	<0.2 A	<0.2 A	<0.15 A	<0.15 A
Efficiency:	>89 %		>90 %	
Power adjustment at input voltages between 10.0 V and 10.5 V:	1700 W	2600 W	1700 W	2600 W
Power adjustment at temperatures above 40 °C:	1.75 % of rated load per degree above 40 °C			
Dimensions W x L x H:	fig. <b>15</b>			
Weight:	6.6 kg	10.9 kg	6.6 kg	10.9 kg

**Protective devices**

	<b>12 V</b>	<b>24 V</b>
Input:	Undervoltage, reverse polarity (internal fuse)	
AC output:	Overvoltage, short circuit, overload	
AC input:	16 A circuit breaker	
Temperature:	Shutdown	
Short circuit protection:	Yes, I <sub>pk</sub>	

**Overvoltage shutdown**

<b>Device</b>	<b>Overvoltage</b>	
	<b>Shutdown</b>	<b>Restart</b>
DSP1312T, DSP1812T, DSP2312T, DSP3512T	16.5 V	15.5 V
DSP1324T, DSP1824T, DSP2324T, DSP3524T	33 V	31 V

**Undervoltage shutdown**

<b>Device</b>	<b>Undervoltage</b>	
	<b>Shutdown</b>	<b>Restart</b>
DSP1312T, DSP1812T, DSP2312T, DSP3512T	10 V	12 V
DSP1324T, DSP1824T, DSP2324T, DSP3524T	20 V	24 V

For the current EU declaration of conformity for your device please refer to the respective product page on [dometic.com](http://dometic.com) or contact the manufacturer directly (see back page).

**Bitte lesen Sie diese Anleitung vor Einbau und Inbetriebnahme sorgfältig durch und bewahren Sie sie auf. Geben Sie sie im Falle einer Weitergabe des Produktes an den Nutzer weiter.**

## **Inhaltsverzeichnis**

1	Erklärung der Symbole . . . . .	28
2	Allgemeine Sicherheitshinweise . . . . .	28
3	Lieferumfang . . . . .	32
4	Zubehör . . . . .	32
5	Zielgruppe dieser Anleitung . . . . .	33
6	Bestimmungsgemäßer Gebrauch . . . . .	33
7	Technische Beschreibung . . . . .	33
8	Wechselrichter montieren . . . . .	36
9	Wechselrichter anschließen . . . . .	38
10	Wechselrichter benutzen . . . . .	41
11	Wechselrichter pflegen und reinigen . . . . .	45
12	Fehlerbeseitigung . . . . .	46
13	Gewährleistung . . . . .	47
14	Entsorgung . . . . .	47
15	Technische Daten . . . . .	48

# 1 Erklärung der Symbole

**GEFAHR!**

**Sicherheitshinweis:** Nichtbeachtung führt zu Tod oder schwerer Verletzung.

**WARNUNG!**

**Sicherheitshinweis:** Nichtbeachtung kann zu Tod oder schwerer Verletzung führen.

**ACHTUNG!**

Nichtbeachtung kann zu Materialschäden führen und die Funktion des Produktes beeinträchtigen.

**HINWEIS**

Ergänzende Informationen zur Bedienung des Produktes.

## 2 Allgemeine Sicherheitshinweise

### 2.1 Allgemeine Sicherheit

Der Hersteller übernimmt in folgenden Fällen keine Haftung für Schäden:

- Montage- oder Anschlussfehler
- Beschädigungen am Produkt durch mechanische Einflüsse und Überspannungen
- Veränderungen am Produkt ohne ausdrückliche Genehmigung vom Hersteller
- Verwendung für andere als die in der Anleitung beschriebenen Zwecke

Beachten Sie folgende grundsätzliche Sicherheitsmaßnahmen beim Gebrauch von Elektrogeräten zum Schutz vor:

- elektrischem Schlag
- Brandgefahr
- Verletzungen

## 2.2 Grundlegende Sicherheit



### GEFAHR!

- Verwenden Sie im Falle eines Feuers einen Feuerlöscher, der für Elektrogeräte geeignet ist.



### WARNUNG!

- Benutzen Sie das Produkt nur zu seinem bestimmungsgemäßen Gebrauch.
- Achten Sie darauf, dass sich **nie** die rote und die schwarze Klemme berühren.
- Trennen Sie das Produkt vom Netz
  - vor jeder Reinigung und Pflege
- Falls Sie das Produkt demontieren:
  - Lösen Sie alle Verbindungen.
  - Stellen Sie sicher, dass alle Ein- und Ausgänge spannungsfrei sind.
- Wenn das Produkt oder das Anschlusskabel sichtbare Beschädigungen aufweisen, dürfen Sie das Produkt nicht in Betrieb nehmen.
- Wenn das Anschlusskabel dieses Produktes beschädigt wird, muss es durch den Hersteller, seinen Kundendienst oder eine ähnlich qualifizierte Person ersetzt werden, um Gefährdungen zu vermeiden.
- Reparaturen an diesem Produkt dürfen nur von Fachkräften durchgeführt werden. Durch unsachgemäße Reparaturen können erhebliche Gefahren entstehen.
- Dieses Produkt kann von Kindern ab 8 Jahren und darüber sowie von Personen mit verringerten physischen, sensorischen oder mentalen Fähigkeiten oder Mangel an Erfahrung und Wissen benutzt werden, wenn sie beaufsichtigt oder bezüglich des sicheren Gebrauchs des Produktes unterwiesen wurden und die daraus resultierenden Gefahren verstehen.
- **Elektrogeräte sind kein Kinderspielzeug!**  
Verwahren und benutzen Sie das Produkt außerhalb der Reichweite von Kindern.
- Kinder sollten beaufsichtigt werden, um sicherzustellen, dass sie nicht mit dem Produkt spielen.

**ACHTUNG!**

- Vergleichen Sie vor der Inbetriebnahme die Spannungsangabe auf dem Typenschild mit der vorhandenen Energieversorgung.
- Achten Sie darauf, dass andere Gegenstände **keinen** Kurzschluss an den Kontakten des Produktes verursachen.
- Ziehen Sie den Stecker nie am Anschlusskabel aus der Steckdose.
- Lagern Sie das Produkt an einem trockenen und kühlen Ort.

## 2.3 Sicherheit bei der Montage des Produktes

**GEFAHR!**

- Montieren Sie das Produkt nicht in Bereichen, in denen die Gefahr einer Gas- oder Staubexplosion besteht.

**VORSICHT!**

- Achten Sie auf einen sicheren Stand!  
Das Produkt muss so sicher aufgestellt und befestigt werden, dass es nicht umstürzen oder herabfallen kann.

**ACHTUNG!**

- Setzen Sie das Produkt keiner Wärmequelle (Sonneneinstrahlung, Heizung usw.) aus. Vermeiden Sie so zusätzliche Erwärmung des Produktes.
- Stellen Sie das Produkt an einem trockenen und gegen Spritzwasser geschützten Platz auf.

## 2.4 Sicherheit beim elektrischen Anschluss des Produktes

**GEFAHR! Lebensgefahr durch Stromschlag!**

- Wenn Sie an elektrischen Anlagen arbeiten, stellen Sie sicher, dass jemand in der Nähe ist, um Ihnen im Notfall helfen zu können.



**WARNUNG!**

- Achten Sie auf einen ausreichenden Leitungsquerschnitt.
- Verlegen Sie die Leitungen so, dass sie nicht durch Türen oder Motorhauben beschädigt werden.  
Eingequetschte Kabel können zu lebensgefährlichen Verletzungen führen.

**VORSICHT!**

- Verlegen Sie die Leitungen so, dass keine Stolpergefahr entsteht und eine Beschädigung des Kabels ausgeschlossen ist.

**ACHTUNG!**

- Benutzen Sie Leerrohre oder Leitungsdurchführungen, wenn Leitungen durch Blechwände oder andere scharfkantige Wände geführt werden müssen.
- Verlegen Sie die Wechselstromleitung und Gleichstromleitung **nicht** im gleichen Kabelkanal (Leerrohr).
- Verlegen Sie Leitungen **nicht** lose oder scharf abgeknickt.
- Befestigen Sie die Leitungen gut.
- Ziehen Sie nicht an Leitungen.

## 2.5 Sicherheit beim Betrieb des Produktes

**GEFAHR! Lebensgefahr durch Stromschlag!**

- Fassen Sie nie mit bloßen Händen an blanke Leitungen.

**WARNUNG!**

- Benutzen Sie das Produkt ausschließlich in geschlossenen, gut belüfteten Räumen.

**VORSICHT!**

- Betreiben Sie das Produkt **nicht**
  - in salzhaltiger, feuchter oder nasser Umgebung
  - in der Nähe von aggressiven Dämpfen
  - in der Nähe brennbarer Materialien
  - in explosionsgefährdeten Bereichen
- Achten Sie vor der Inbetriebnahme darauf, dass Zuleitung und Stecker trocken sind.
- Unterbrechen Sie bei Arbeiten am Produkt immer die Stromversorgung.

- Beachten Sie, dass auch nach Auslösen der Schutzeinrichtung (Sicherung) Teile des Produktes unter Spannung bleiben können.
- Lösen Sie keine Kabel, wenn das Produkt noch in Betrieb ist.



### ACHTUNG!

- Achten Sie darauf, dass Luftein- und ausgänge des Produktes nicht verdeckt werden.
- Achten Sie auf gute Belüftung.

## 3 Lieferumfang

Pos. in Abb. <b>1</b>	Bezeichnung
1	Sinus Wechselrichter
2	Anschlusskabel mit Schuko-Kupplung (für 230-V~ -Ausgang)
3	Anschlusskabel mit Schuko-Stecker (für 230-V~ -Versorgung)
-	Bedienungsanleitung

## 4 Zubehör

Bezeichnung	Art.-Nr.
Fernbedienung	9600002564
Energiemonitor	9600002565

## 5 Zielgruppe dieser Anleitung

Das Kapitel „Wechselrichter anschließen“ auf Seite 38 wendet sich ausschließlich an Fachleute, die mit den entsprechenden VDE-Richtlinien vertraut sind.

Alle übrigen Kapitel wenden sich auch an die Benutzer des Gerätes.

## 6 Bestimmungsgemäßer Gebrauch



### WARNUNG!

Der Wechselrichter darf nicht in Fahrzeugen eingesetzt werden, bei denen der Plus-Pol der Batterie mit dem Chassis verbunden ist.

Die Wechselrichter dienen dazu, Gleichspannung in eine 230 – 240-V-Wechselspannung von 50 Hz oder 60 Hz zu wandeln:

- **12 V $\overline{=}$** : DSP1312T, DSP1812T, DSP2312T, DSP3512T
- **24 V $\overline{=}$** : DSP1324T, DSP1824T, DSP2324T, DSP3524T

## 7 Technische Beschreibung

Die Wechselrichter lassen sich überall dort betreiben, wo ein DC-Anschluss vorhanden ist.

- **12 V $\overline{=}$** : DSP1312T, DSP1812T, DSP2312T, DSP3512T
- **24 V $\overline{=}$** : DSP1324T, DSP1824T, DSP2324T, DSP3524T

Durch das geringe Gewicht und die kompakte Bauweise lässt sich dieses Gerät problemlos in Reisemobilen, Nutzfahrzeugen oder Motor- und Segelyachten einbauen.

Die Ausgangsspannung entspricht der Haushaltsspannung aus der Steckdose (reine Sinusspannung, Klirrfaktor <3 %).

Bitte beachten Sie die Werte für Dauer-Ausgangsleistung und Spitzen-Ausgangsleistung, wie sie im Kapitel „Technische Daten“ auf Seite 48 angegeben sind. Geräte, die einen höheren Leistungsbedarf haben, dürfen nicht angeschlossen werden.



### HINWEIS

Beachten Sie beim Anschluss von Geräten mit elektrischem Antrieb (z. B. Bohrmaschine, Kühlschrank usw.), dass diese zum Anlaufen oft eine höhere Leistung benötigen, als auf dem Typenschild angegeben.

Der Wechselrichter besitzt verschiedene Schutzmechanismen:

- **Überspannungs-Schutz:** Der Wechselrichter schaltet ab, wenn der Spannungswert über den Abschalt-Wert steigt. Er startet wieder, wenn die Spannung auf den Neustart-Wert sinkt.
- **Unterspannungs-Schutz:** Der Wechselrichter schaltet ab, wenn der Spannungswert unter den Abschalt-Wert sinkt. Er startet wieder, wenn die Spannung auf den Neustart-Wert steigt.
- **Übertemperatur-Schutz:** Der Wechselrichter schaltet ab, wenn die Temperatur innerhalb des Gerätes oder die Temperatur an dem Kühlkörper einen Abschalt-Wert übersteigt. Er startet wieder, wenn die Spannung auf den Neustart-Wert steigt.
- **Überlast-Schutz und Schutz vor Kurzschluss:** Die LED am Wechselrichter meldet eine Betriebsstörung, wenn eine zu große Last angeschlossen ist oder ein Kurzschluss erzeugt wurde. Die Gerätesicherung muss, nachdem sie bei Überstrom ausgelöst hat, manuell wieder eingedrückt werden.



#### HINWEIS

Die einzelnen Schaltwerte finden Sie im Kapitel „Technische Daten“ auf Seite 48.

Der Wechselrichter kann in folgenden Netzformen betrieben werden:

- **TN-Netz:**  
Der Neutralleiter des Wechselrichters ist mit Masse verbunden. Ein nachgelagerter FI-Schutzschalter muss installiert sein.
- **IT-Netz:**  
Beide Phasen sind isoliert. Dies ist geeignet für den Betrieb eines Verbrauchers. Falls mehr als ein Verbraucher angeschlossen werden, muss ein Schutzkonzept entworfen werden (z. B. Isolationswächter).

Die Netzform wird über einen DIP-Schalter am Gerät konfiguriert.

Die Wechselrichter DSP13xxT, DSP18xxT, DSP23xxT verfügen über ein Anschlusskabel mit Steckdose und Stecker, die fest am Gerät montiert sind. Der Wechselrichter DSP35xxT wird über PG-Verschraubungen direkt an die Anschlussklemmen angeschlossen.

Durch die Phasensynchronisierung passt der Wechselrichter sich der Phasenlage der AC-Eingangsspannung an. Dadurch werden Spannungsspitzen beim Umschalten von Batterie- auf Netzspannung verhindert.

Der Wechselrichter eignet sich für den Betrieb empfindlicher Verbraucher, da die Ausgangsspannung eine reine Sinuswelle ist.

Der Wechselrichter ist mit einer Vorrangschaltung ausgestattet. Liegt eine externe 230-V $\sim$ -Spannung an, so wird diese vorrangig genutzt. Wenn keine externe 230-V $\sim$ -Spannung anliegt, so wird zur Spannungsversorgung die angeschlossene Batterie genutzt.

Der Wechselrichter kann in einen Energiesparmodus geschaltet werden, damit die angeschlossene Batterie nicht zu schnell entlädt.

Mit einer Fernbedienung (**Zubehör**) kann der Wechselrichter ein- und ausgeschaltet werden.

Zusätzlich kann der Wechselrichter mit einem Energiemonitor (**Zubehör**) gesteuert werden.

## 7.1 Bedienelemente

Pos. in Abb. <b>2</b>	Bezeichnung	Beschreibung
1	Hauptschalter	<b>0</b> : Schaltet das Gerät dauerhaft aus <b>I</b> : Schaltet das Gerät dauerhaft ein <b>II</b> : Das Gerät kann über eine Fernbedienung ( <b>Zubehör</b> ) ein- und ausgeschaltet werden
2	Status-LED	Siehe Kapitel „Betriebsanzeigen“ auf Seite 42
3	Sicherung	Schützt den Wechselrichter vor Überlastung. Die Sicherung kann wieder eingedrückt werden, nachdem sie ausgelöst hat.
4	DIP-Schalter	Nimmt Einstellungen am Wechselrichter vor Siehe Kapitel „Wechselrichter einstellen“ auf Seite 43

## 7.2 Anschlüsse



### HINWEIS

Abgebildet ist die Version für Kontinentaleuropa.

Pos. in Abb. <b>2</b>	Beschreibung
5	230-V~ -Eingang ( <b>DSP 35xxT</b> : PG-Verschraubung)
6	230-V~ -Ausgang ( <b>DSP 35xxT</b> : PG-Verschraubung)
7	Masseklemme (Erdung an der Fahrzeugkarosserie)
8	Plus-Klemme
9	Minus-Klemme
10	CI/LIN-BUS-Anschlüsse (LINA)
11	Anschluss für Fernbedienung (LINB)
12	Anschluss für Fernschalter
13	Lüfter (Rückseite)

## 8 Wechselrichter montieren



### HINWEIS

Bevor Sie den Wechselrichter montieren, sollten Sie alle Kabel anschließen, weil so alle Anschlüsse ungehindert zugänglich sind.

### 8.1 Benötigtes Werkzeug

Für den **elektrischen Anschluss** benötigen Sie folgende Hilfsmittel:

- Krimpzange
- 3 verschiedenfarbige flexible Anschlusskabel. Den erforderlichen Querschnitt entnehmen Sie der Tabelle im Kapitel „Wechselrichter anschließen“ auf Seite 38.
- Kabelschuhe und Aderendhülsen

Für die **Befestigung** des Wechselrichters benötigen Sie folgende Montagemittel:

- Maschinenschrauben (M4) mit Unterlegscheiben und selbstsichernden Muttern oder
- Blech- bzw. Holzschrauben.

## 8.2 Montagehinweise

Beachten Sie bei der Wahl des Montageortes folgende Hinweise:

- Die Montage des Wechselrichters kann horizontal wie auch vertikal erfolgen.
- Der Wechselrichter muss an einer vor Feuchtigkeit geschützten Stelle eingebaut werden.
- Der Wechselrichter darf nicht in Umgebungen mit entflammaren Materialien eingebaut werden.
- Der Wechselrichter darf nicht in staubigen Umgebungen eingebaut werden.
- Der Einbauort muss gut belüftet sein. Bei Installationen in geschlossenen kleinen Räumen sollte eine Be- und Entlüftung vorhanden sein. Der freie Mindestabstand um den Wechselrichter muss mindestens 5 cm betragen (Abb. **3**).
- Die Lüftungsöffnungen auf der Front- und Rückseite des Wechselrichters müssen frei bleiben.
- Bei Umgebungstemperaturen, die höher als 40 °C (z. B. in Motor- oder Heizungsräumen, direkte Sonneneinstrahlung) sind, kann der Wechselrichter abschalten, obwohl die Leistung der angeschlossenen Verbraucher unter der Nennlast liegt (Derating).
- Die Montagefläche muss eben sein und eine ausreichende Festigkeit aufweisen.



### **ACHTUNG!**

Bevor Sie irgendwelche Bohrungen vornehmen, stellen Sie sicher, dass keine elektrischen Kabel oder andere Teile des Fahrzeugs durch Bohren, Sägen und Feilen beschädigt werden.

## 8.3 Wechselrichter montieren

- Montieren Sie den Wechselrichter wie dargestellt (Abb. **4**).

## 9 Wechselrichter anschließen

### 9.1 Allgemeine Hinweise



#### WARNING!

- Der Anschluss des Wechselrichters darf ausschließlich von entsprechend ausgebildeten Fachbetrieben durchgeführt werden. Die nachfolgenden Informationen richten sich an Fachkräfte, die mit den anzuwendenden Richtlinien und Sicherheitsvorkehrungen vertraut sind.
- Bei Fahrzeugen, bei denen der Plus-Pol der Batterie mit dem Chassis verbunden ist, darf der Wechselrichter **nicht** eingesetzt werden.
- Wenn Sie keine Sicherung in die **Plus-Leitung** der Batterie setzen, können die Leitungen überlastet werden, und es kann zu einem Brand kommen.

- Der Wechselrichter muss bei Installationen in Fahrzeugen oder Booten mit dem Chassis bzw. der Masse verbunden sein.
- Halten Sie beim Aufbau eines Steckdosenverteilerkreises (Netzaufbau) die Vorschriften der VDE 0100 ein.
- Verwenden Sie ausschließlich Kupferkabel.
- Halten Sie die Kabel so kurz wie möglich (< 1 m).
- Verwenden Sie zur Erdung ein Kabel mit einem Mindest-Querschnitt von 4 mm<sup>2</sup>.
- Halten Sie den erforderlichen Kabelquerschnitt ein und setzen Sie eine Kabelsicherung (Abb. **6** 1) möglichst nah an der Batterie in die Plus-Leitung (siehe Tabelle).

Gerät	Erforderlicher Kabelquerschnitt	Kabelsicherung
DSP1312T	35 mm <sup>2</sup>	200 A
DSP1324T	25 mm <sup>2</sup>	150 A
DSP1812T	50 mm <sup>2</sup>	250 A
DSP1824T	25 mm <sup>2</sup>	150 A
DSP2312T	70 mm <sup>2</sup>	300 A
DSP2324T	35 mm <sup>2</sup>	200 A
DSP3512T	2 x 50 mm <sup>2</sup>	2 x 250 A
DSP3524T	50 mm <sup>2</sup>	250 A



## 9.2 Wechselrichter anschließen



### WARNUNG!

Stellen Sie vor dem Anschließen der Wechselspannungs-Ausgangsleitung sicher, dass der Wechselrichter mit dem Hauptschalter ausgeschaltet ist.



### ACHTUNG!

Achten Sie darauf, dass die Polarität nicht vertauscht wird. Falsche Polarität kann den Wechselrichter beschädigen.



### HINWEIS

Ziehen Sie die Schrauben oder Muttern mit einem Drehmoment von max. 15 Nm fest. Lose Verbindungen können zu Überhitzungen führen.

- Schließen Sie den Wechselrichter an wie dargestellt:
  - Batterie anschließen: Abb. **5** und Abb. **6**
  - Masseklemme anschließen: Abb. **7**
  - 230-V-Versorgungsleitung anschließen: Abb. **8** (INPUT)
  - 230-V-Ausgangsleitung anschließen: Abb. **8** (OUTPUT)

## 9.3 Mehrere Verbraucher anschließen

Das Gerät ist im Lieferzustand mit galvanischer Trennung ausgestattet. Zum sicheren Betrieb von mehreren Verbrauchern ist es zwingend notwendig, dass im Steckdosenverteilerkreis ein Schutzschalter (FI-Schalter) eingebaut wird.

- Bauen Sie einen FI-Schalter in den Steckdosenverteilerkreis ein.

## 9.4 Fernbedienung anschließen (Zubehör)



### ACHTUNG!

Stecken Sie den Anschluss zur Fernbedienung nur in den Remote-Port. Durch falsches Anschließen kann das Gerät beschädigt werden.

- Schließen Sie die Fernbedienung wie dargestellt an (Abb. **9**).

## 9.5 Externen Schalter zum Ein- und Ausschalten anschließen



### HINWEIS

Verwenden Sie Kabel mit einem Kabelquerschnitt von 0,25–0,75 mm<sup>2</sup>.

Als externen Schalter können Sie folgendes verwenden:

- externer Schalter, Spannungsversorgung aus dem Wechselrichter: Abb. **10** A
  - Steuereinheit mit Relais- oder Transistorbeschaltung (TR): Abb. **10** B
  - externer Schalter mit Spannungsversorgung über die Batterie (BAT) des Fahrzeuges: Abb. **10** C
  - externer Schalter mit eigener Spannungsversorgung (DC POWER), z. B. von der Zündung: Abb. **10** D
- 
- Stellen Sie den Hauptschalter (Abb. **2** 1) auf „OFF“.
  - Stellen Sie sicher, dass der Anschluss für die Fernbedienung (Abb. **2** 11) nicht belegt ist.
  - Stellen Sie den Hauptschalter (Abb. **2** 1) auf „REMO.“.
  - Schließen Sie den externen Ein-/Aus-Schalter mit dem Anschlusskabel an der Klemme (Abb. **2** 12) an.

## 9.6 Relais anschließen

Sie können ein Relais anschließen, das anzeigt, ob der 230-V-Eingang angeschlossen ist. So können Sie z. B. eine Wegfahrsperre realisieren, damit das Fahrzeug nicht losfahren kann, wenn der 230-V-Eingang angeschlossen ist.

- Schließen Sie das Relais wie dargestellt an (Abb. **11**):
  - NO (Normally Open): Arbeitskontakt
  - COM (Common): Wechselkontakt
  - NC (Normally Closed): Ruhekontakt

Spezifikation für das Relais:

Maximal Spannung	Last	Stromaufnahme	
		NO	NC
250 V~	Ohmsch	0,5 A	0,5 A
12 V/24 V==	Ohmsch	1 A	1 A

## 10 Wechselrichter benutzen

### 10.1 Wechselrichter einschalten

- Stellen Sie den Hauptschalter (Abb. **2** 1) des Wechselrichters wie folgt ein:
  - „**0**“: um den Wechselrichter dauerhaft auszuschalten
  - „**I**“: um den Wechselrichter dauerhaft einzuschalten
  - „**II**“: um den Wechselrichter mit einer Fernbedienung (**Zubehör**) ein- und ausschalten zu können
- Der Wechselrichter führt beim Einschalten einen Selbsttest durch.
- ✓ Nach dem erfolgreichen Selbsttest leuchtet die LED blau (Abb. **2** 2).

## 10.2 Betriebsanzeigen

Die blaue LED (Abb. **2** 2) zeigt den Betriebszustand des Wechselrichters an.

Anzeige	Eingangsspannung
Dauerleuchten	Normalbetrieb
Langes Blinken, kurze Unterbrechung	Wechselrichter überhitzt/Überlastung
Schnelles Blinken	Überspannung/Unterspannung
Kurzes Blinken, lange Unterbrechung	Isolationswächter hat den Wechselrichter abgeschaltet
Aus	Anderer Fehler

Der Wechselrichter schaltet sich ab, wenn:

- Die Batteriespannung sinkt unter 10 V (12 V---Anschluss) bzw. 20 V (24 V---Anschluss).
  - Die Batteriespannung steigt über 16,5 V (12 V---Anschluss) bzw. 33 V (24 V---Anschluss).
  - Der Wechselrichter wird überlastet.
  - Der Wechselrichter wird überhitzt.
- Schalten Sie den Wechselrichter in diesem Fall mit dem Hauptschalter (Abb. **2** 1) aus.
- Kontrollieren Sie, ob der Wechselrichter genügend belüftet ist und ob die Lüfteröffnungen und Belüftungsschlitze frei sind.
- Warten Sie ca. 5 – 10 min und schalten Sie den Wechselrichter ohne Verbraucher wieder ein.

## 10.3 Energiesparmodus einstellen



### HINWEIS

Der Energiesparmodus kann nur über eine Fernbedienung ein- und ausgeschaltet werden.

## 10.4 Wechselrichter einstellen

Sie können das Gerät mit Hilfe der DIP-Schalter (Abb. **2** 4) anpassen.

### Einstellungen festlegen

Mit dem DIP-Schalter S1 können Sie festlegen, ob die Einstellung der Parameter über den Anschluss eines CI-BUS-fähigen Bedienfeldes oder über die DIP-Schalter erfolgen soll.

Parameter	DIP-Schalter
	S1
Anschluss für Fernbedienung	Aus
DIP-Schalter	Ein

### Netzspannung einstellen

Mit dem DIP-Schalter S2 können Sie die Netzspannung einstellen.

Netzspannung	DIP-Schalter
	S2
230 V/50 Hz	Aus
240 V/60 Hz	Ein

## Energiesparmodus einstellen

Mit den DIP-Schaltern S3 und S4 können Sie den Energiesparmodus einstellen. Dadurch wird die Batterie, an der Sie den Wechselrichter anschließen, nicht so schnell entladen.

Der Wechselrichter arbeitet dann im Energiesparmodus, solange die geforderte Leistung unter dem eingestellten Leistungswert liegt. Wenn die benötigte Leistung über dem eingestellten Leistungswert liegt, arbeitet der Wechselrichter im Normalbetrieb.

Die einzustellenden Werte für Ihren Wechselrichter entnehmen Sie bitte der folgenden Tabelle:

<b>Energiesparmodus</b>	<b>DIP-Schalter</b>	
	<b>S3</b>	<b>S4</b>
Energiesparmodus aktiviert, wenn Last < 45 W Normalmodus aktiviert, wenn Last > 45 W	Aus	Aus
Energiesparmodus aktiviert, wenn Last < 1 W Wechselrichter schaltet automatisch ab nach 20 min Betrieb im Energiesparmodus Normalmodus aktiviert, wenn Last > 1 W	Ein	Aus
Energiesparmodus aktiviert, wenn Last < 1 W Normalmodus aktiviert, wenn Last > 1 W	Aus	Ein
Energiesparmodus aktiviert, wenn Last $\geq$ 45 W Wechselrichter schaltet automatisch ab nach 20 min Betrieb im Energiesparmodus Normalmodus aktiviert, wenn Last > 45 W	Ein	Ein

## Netzform einstellen

Mit dem DIP-Schalter S5 können Sie festlegen, in welcher Netzform der Wechselrichter betrieben werden soll.

Parameter	DIP-Schalter S5
TN-Netz Ein externer, nachgeschalteter <b>FI-Schutzschalter</b> <b>ist notwendig.</b>	Aus
IT-Netz Betrieb mit nur einem Verbraucher oder Installation eines externen Isolationswächters. <b>Nationale Normen beachten!</b>	Ein

## 11 Wechselrichter pflegen und reinigen



### ACHTUNG!

Keine scharfen oder harten Gegenstände oder Reinigungsmittel zur Reinigung verwenden, da dies zu einer Beschädigung des Produktes führen kann.

- Reinigen Sie das Produkt gelegentlich mit einem feuchten Tuch.

# 12 Fehlerbeseitigung



**WARNUNG!**

Öffnen Sie das Gerät nicht. Sie setzen sich der Gefahr eines elektrischen Schlages aus!



**HINWEIS**

Bei detaillierten Fragen zu den **Daten des Wechselrichters** wenden Sie sich bitte an den Hersteller (Adressen siehe Rückseite der Anleitung).

Die LED (Abb. **2** 2) zeigt den Fehler an:

LED-Anzeige	Ursache	Behebung
Schnelles Blinken	Zu hohe Eingangsspannung	Prüfen Sie die Eingangsspannung und reduzieren Sie diese.
	Zu niedrige Eingangsspannung	Die Batterie muss nachgeladen werden. Prüfen Sie die Leitungen und Verbindungen.
2 s Leuchten, kurze Unterbrechung	Thermische Überlastung	Schalten Sie den Wechselrichter und den Verbraucher aus. Warten Sie ca. 5 – 10 Minuten und schalten Sie den Wechselrichter ohne Verbraucher wieder ein. Reduzieren Sie die Belastung und sorgen Sie für eine bessere Belüftung des Wechselrichters. Schalten Sie dann den Verbraucher wieder ein.
	Zu hohe Belastung	Schalten Sie den Wechselrichter aus und entfernen Sie den Verbraucher. Schalten Sie den Wechselrichter ohne Verbraucher wieder ein. Wird jetzt keine zu hohe Belastung mehr angezeigt, so liegt ein Kurzschluss beim Verbraucher vor oder die Gesamtbelastung war höher als die im Datenblatt spezifizierte Leistung. Prüfen Sie die Leitungen und Verbindungen. Drücken Sie die Gerätesicherung wieder ein.
Aus	Anderer Fehler	Wenden Sie sich an den Kundendienst.



## 13 Gewährleistung

Es gilt die gesetzliche Gewährleistungsfrist. Sollte das Produkt defekt sein, wenden Sie sich bitte an die Niederlassung des Herstellers in Ihrem Land (Adressen siehe Rückseite der Anleitung) oder an Ihren Fachhändler.

Zur Reparatur- bzw. Gewährleistungsbearbeitung müssen Sie folgende Unterlagen mitschicken:

- eine Kopie der Rechnung mit Kaufdatum,
- einen Reklamationsgrund oder eine Fehlerbeschreibung.

## 14 Entsorgung



- Geben Sie das Verpackungsmaterial möglichst in den entsprechenden Recycling-Müll.



Wenn Sie das Produkt endgültig außer Betrieb nehmen, informieren Sie sich bitte beim nächsten Recyclingcenter oder bei Ihrem Fachhändler über die zutreffenden Entsorgungsvorschriften.

## 15 Technische Daten

Folgende technische Daten gelten für alle Wechselrichter:

Ausgangsspannung:	230/240 V~ ± 3 %, reine Sinuswelle (Klirrfaktor < 3 %)
Ausgangsfrequenz:	50/60 Hz ± 0,3 Hz
Wärmeabfuhr:	temperatur- und lastgesteuerter Lüfter
Umgebungstemperatur Betrieb:	-20 °C bis +60 °C
Umgebungstemperatur Lagerung:	-30 °C bis +70 °C
Leistungsregulierung:	≥40 °C
Überbrückungsrelais:	16 A/250 V~
Überbrückungsumschaltung mit Spannungssynchronisierung:	<20 ms
Luftfeuchtigkeit:	0 – 95 %, nicht kondensierend
Prüfung/Zertifikat:	 

	<b>DSP1312T</b>	<b>DSP1812T</b>	<b>DSP1324T</b>	<b>DSP1824T</b>
Art.-Nr.:	9600002551	9600002553	9600002552	9600002554
Eingangsnennspannung:	12 V $\overline{=}$		24 V $\overline{=}$	
Eingangsspannungsbereich:	10 – 16,5 V $\overline{=}$		20 – 33 V $\overline{=}$	
Nennleistung:	1200 W	1800 W	1200 W	1800 W
Maximale Leistung für 10 min:	1300 W	1800 W	1300 W	1800 W
Maximale Leistung für 3 min:	1380 W	2070 W	1380 W	2070 W
Stoßleistung für 2 s:	2400 W	3600 W	2400 W	3600 W
Leerlaufstromaufnahme:	2,5 A	2,5 A	1,3 A	1,3 A
Standby-Stromaufnahme bei Nennspannung:	<0,2 A	<0,2 A	<0,1 A	<0,1 A
Wirkungsgrad:	>89 %		>90 %	
Leistungsanpassung bei einer Eingangsspannung zwischen 10,0 V und 10,5 V:	1020 W	1530 W	1020 W	1530 W
Leistungsanpassung bei Temperaturen über 40 °C:	1,75 % der Nennleistung pro Grad über 40 °C			
Abmessungen B x L x H:	Abb. <b>15</b>			
Gewicht:	4,8 kg	6,1 kg	4,8 kg	6,1 kg

	<b>DSP2312T</b>	<b>DSP3512T</b>	<b>DSP2324T</b>	<b>DSP3524T</b>
Art.-Nr.:	9600002555	9600002557	9600002556	9600002558
Eingangsnennspannung:	12 V $\overline{=}$		24 V $\overline{=}$	
Eingangsspannungsbereich:	10 – 16,5 V $\overline{=}$		20 – 33 V $\overline{=}$	
Nennleistung:	2000 W	3000 W	2000 W	3000 W
Maximale Leistung für 10 min ( $U_{IN} > 12,5$ V):	2300 W	3500 W	2300 W	3500 W
Maximale Leistung für 3 min ( $U_{IN} > 10,5$ V):	2300 W	3500 W	2300 W	3500 W
Stoßleistung für 2 s:	4000 W	6000 W	4000 W	6000 W
Leerlaufstromaufnahme:	2,8 A	3,6 A	1,4 A	1,8 A
Standby-Stromaufnahme bei Nennspannung:	<0,2 A	<0,2 A	<0,15 A	<0,15 A
Wirkungsgrad:	>89 %		>90 %	
Leistungsanpassung bei einer Eingangsspannung zwischen 10,0 V und 10,5 V:	1700 W	2600 W	1700 W	2600 W
Leistungsanpassung bei Temperaturen über 40 °C:	1,75 % der Nennleistung pro Grad über 40 °C			
Abmessungen B x L x H:	Abb. <b>15</b>			
Gewicht:	6,6 kg	10,9 kg	6,6 kg	10,9 kg

## Schutzvorrichtungen

	12 V	24 V
Eingang:	Unterspannung, Verpolungsschutz (interne Sicherung)	
AC Ausgang:	Überspannung, Kurzschluss, Überlast	
AC Eingang:	16-A-Schutzschalter	
Temperatur:	Abschaltung	
Kurzschlusschutz:	ja, lpk	

## Überspannungs-Schutz

Gerät	Überspannung	
	Abschaltung	Neustart
DSP1312T, DSP1812T, DSP2312T, DSP3512T	16,5 V	15,5 V
DSP1324T, DSP1824T, DSP2324T, DSP3524T	33 V	31 V

## Unterspannungs-Schutz

Gerät	Unterspannung	
	Abschaltung	Neustart
DSP1312T, DSP1812T, DSP2312T, DSP3512T	10 V	12 V
DSP1324T, DSP1824T, DSP2324T, DSP3524T	20 V	24 V

Die aktuelle EU-Konformitätserklärung für Ihr Gerät erhalten Sie auf der jeweiligen Produktseite auf [dometic.com](http://dometic.com) oder direkt über den Hersteller (siehe Rückseite).

**Veillez lire attentivement cette notice avant le montage et la mise en service. Veillez ensuite la conserver. En cas de passer le produit, veuillez le transmettre au nouvel acquéreur.**

## Sommaire

1	Explication des symboles . . . . .	53
2	Consignes générales de sécurité . . . . .	53
3	Contenu de la livraison . . . . .	57
4	Accessoires . . . . .	57
5	Groupe cible de cette notice . . . . .	58
6	Usage conforme . . . . .	58
7	Description technique . . . . .	58
8	Montage de l'onduleur . . . . .	61
9	Raccordement de l'onduleur . . . . .	63
10	Utilisation de l'onduleur . . . . .	66
11	Entretien et nettoyage de l'onduleur . . . . .	69
12	Élimination des erreurs . . . . .	70
13	Garantie . . . . .	71
14	Retraitement . . . . .	71
15	Caractéristiques techniques . . . . .	72

# 1 Explication des symboles

**DANGER !**

**Consigne de sécurité :** le non-respect de ces consignes entraîne la mort ou de graves blessures.

**AVERTISSEMENT !**

**Consigne de sécurité :** le non-respect de ces consignes peut entraîner la mort ou de graves blessures.

**AVIS !**

Le non-respect de ces consignes peut entraîner des dommages matériels et des dysfonctionnements du produit.

**REMARQUE**

Informations complémentaires sur l'utilisation du produit.

## 2 Consignes générales de sécurité

### 2.1 Sécurité générale

Le fabricant décline toute responsabilité pour des dommages dans les cas suivants :

- des défauts de montage ou de raccordement
- des influences mécaniques et des surtensions ayant endommagé le matériel
- des modifications apportées au produit sans autorisation explicite de la part du fabricant
- une utilisation différente de celle décrite dans la notice

Lors de l'utilisation d'appareils électriques, les consignes générales de sécurité suivantes doivent être respectées afin d'éviter

- une décharge électrique,
- un incendie,
- des blessures.

## 2.2 Consignes générales de sécurité



### DANGER !

- En cas d'incendie, utilisez un extincteur adapté aux appareils électriques.



### AVERTISSEMENT !

- Utilisez l'appareil conformément à l'usage pour lequel il a été conçu.
- Veillez à ce que la pince rouge et la pince noire ne se touchent **jamais**.
- Débranchez l'appareil du secteur
  - avant tout nettoyage et entretien
- Si vous démontez l'appareil :
  - débranchez tous les raccords,
  - assurez-vous qu'aucune entrée ou sortie n'est sous tension.
- Si l'appareil ou le câble de raccordement présentent des dommages visibles, il est interdit de mettre l'appareil en service.
- Si le câble de raccordement de l'appareil est endommagé, il doit être remplacé par le fabricant, son service après-vente ou une personne de qualification similaire, afin d'éviter tout danger.
- Seul un personnel qualifié est habilité à effectuer des réparations sur l'appareil. Toute réparation mal effectuée risquerait d'entraîner de graves dangers.
- Les enfants âgés de 8 ans et plus ainsi que les personnes ayant des déficiences physiques, sensorielles ou mentales ou un manque d'expérience ou de connaissances peuvent utiliser ce produit à condition d'être sous surveillance ou d'avoir reçu des instructions concernant l'utilisation de l'appareil en toute sécurité et de comprendre les dangers qui en résultent.
- **Les appareils électriques ne sont pas des jouets pour enfants !** Placez et utilisez l'appareil hors de leur portée.
- Les enfants doivent être surveillés pour s'assurer qu'ils ne jouent pas avec l'appareil.



### AVIS !

- Avant la mise en service, vérifiez que la tension indiquée sur la plaque signalétique correspond à l'alimentation électrique dont vous disposez.
- Veillez à ce que d'autres objets ne provoquent **aucun** court-circuit au niveau des contacts de l'appareil.



- Ne tirez jamais sur le câble de raccordement pour sortir la fiche de la prise.
- Stockez l'appareil dans un endroit frais et sec.

## 2.3 Sécurité lors du montage de l'appareil



### **DANGER !**

- Ne montez jamais l'appareil dans des zones où existent des risques d'explosion de gaz ou de poussières explosives.



### **ATTENTION !**

- Veillez à un positionnement stable de l'appareil !  
Veillez à installer et fixer l'appareil de manière à ce qu'il ne puisse ni se renverser ni tomber.



### **AVIS !**

- N'exposez pas l'appareil à des sources de chaleur (rayonnement solaire, chauffage, etc.). Vous éviterez ainsi une surchauffe supplémentaire de l'appareil.
- Installez l'appareil dans un endroit sec et à l'abri des éclaboussures d'eau.

## 2.4 Consignes de sécurité concernant le raccordement électrique de l'appareil



### **DANGER ! Danger de mort par électrocution !**

- Lorsque vous effectuez des travaux sur des installations électriques, assurez-vous qu'une personne pouvant vous apporter assistance en cas d'urgence se trouve à proximité.



### **AVERTISSEMENT !**

- Veillez à obtenir une section de câble suffisante.
- Posez les câbles de manière à ce qu'ils ne puissent pas être endommagés par les portières ou par le capot du moteur.  
Des câbles compressés peuvent entraîner des blessures mortelles.



### **ATTENTION !**

- Posez les câbles de manière à exclure tout risque de trébuchement ou d'endommagement du câble.

**AVIS !**

- Si des lignes électriques doivent traverser des cloisons en tôle ou autres murs à arêtes vives, utilisez des tubes vides ou des conduits pour câbles.
- Ne placez **pas** les câbles 230 V et la ligne de courant continu 12 V dans le même conduit (tube vide).
- Ne posez **pas** les lignes sans les fixer ou en les pliant.
- Fixez bien les lignes.
- Ne tirez pas sur les lignes électriques.

## 2.5 Consignes de sécurité concernant le fonctionnement de l'appareil

**DANGER ! Danger de mort par électrocution !**

- Ne touchez jamais les lignes électriques dénudées avec les mains nues.

**AVERTISSEMENT !**

- Utilisez l'appareil uniquement dans des pièces fermées et bien aérées.

**ATTENTION !**

- N'utilisez **pas** l'appareil
  - en milieu humide, à forte teneur en sel,
  - à proximité de vapeurs agressives,
  - à proximité de matériaux inflammables,
  - ou dans un environnement explosif.
- Avant de mettre l'appareil en service, assurez-vous que la ligne d'alimentation électrique et le connecteur sont secs.
- Coupez l'alimentation électrique au cours de travaux sur l'appareil.
- Attention : même après déclenchement du dispositif de sécurité (fusible), il est possible que certaines pièces de l'appareil restent sous tension.
- Ne débranchez pas de câbles pendant le fonctionnement de l'appareil.

**AVIS!**

- Assurez-vous que les entrées et sorties d'air de l'appareil ne sont pas couvertes.
- Veillez à ce que l'aération soit suffisante.

### 3 Contenu de la livraison

Pos. dans fig. 1	Désignation
1	Onduleurs sinusoïdaux
2	Câble de raccordement à accouplement à contact de sécurité (pour sortie 230 V~)
3	Câble de raccordement à fiche de contact de sécurité (pour alimentation 230 V~)
-	Manuel d'utilisation

### 4 Accessoires

Désignation	Réf.
Télécommande	9600002564
Contrôleur d'énergie	9600002565

## 5 Groupe cible de cette notice

Le chapitre « Raccordement de l'onduleur », page 63 s'adresse exclusivement aux spécialistes familiers des directives VDE correspondantes.

Tous les autres chapitres s'adressent également aux utilisateurs de l'appareil.

## 6 Usage conforme



### AVERTISSEMENT !

L'onduleur ne doit pas être utilisé pour les véhicules dont le pôle positif de la batterie est relié au châssis.

Les onduleurs servent à convertir la tension continue en une tension alternative de 230 – 240 V de 50 Hz ou 60 Hz.

- **12 V $\overline{=}$**  : DSP1312T, DSP1812T, DSP2312T, DSP3512T
- **24 V $\overline{=}$**  : DSP1324T, DSP1824T, DSP2324T, DSP3524T

## 7 Description technique

Les onduleurs peuvent être utilisés partout où une prise CC est disponible.

- **12 V $\overline{=}$**  : DSP1312T, DSP1812T, DSP2312T, DSP3512T
- **24 V $\overline{=}$**  : DSP1324T, DSP1824T, DSP2324T, DSP3524T

Le faible poids et la construction compacte permettent de monter cet appareil dans des camping-cars, véhicules utilitaires ou yachts à moteur et à voile.

La tension de sortie correspond à la tension domestique de la prise (tension sinusoïdale uniquement, taux de distorsion < 3 %).

Veuillez tenir compte des valeurs de puissance continue de sortie et de puissance de crête de sortie qui sont indiquées au chapitre chapitre « Caractéristiques techniques », page 72. Les appareils nécessitant plus de puissance ne doivent pas être raccordés.



### REMARQUE

En cas de raccordement d'appareils avec un entraînement électrique (p. ex. perceuse, réfrigérateur, etc.), tenez compte du fait que, pendant le démarrage, ces appareils nécessitent souvent une puissance supérieure à celle indiquée sur la plaque signalétique.

L'onduleur possède différents mécanismes de protection :

- **Protection de surtension :** l'onduleur s'éteint lorsque la valeur de tension dépasse le seuil d'arrêt. Il redémarre lorsque la tension retombe à la valeur de redémarrage.
- **Protection de sous-tension :** l'onduleur s'éteint lorsque la valeur de tension descend en dessous du seuil d'arrêt. Il redémarre lorsque la tension remonte à la valeur de redémarrage.
- **Protection de surtempérature :** l'onduleur s'éteint lorsque la température au sein de l'appareil ou la température au niveau du radiateur dépasse une valeur d'arrêt. Il redémarre lorsque la tension remonte à la valeur de redémarrage.
- **Protection contre la surcharge et le court-circuit :** le voyant LED de l'onduleur annonce un dysfonctionnement, quand une trop grande charge est raccordée ou qu'un court-circuit est créé. Le fusible de l'appareil doit être ré-enfoncé manuellement après s'être déclenché lors d'une surintensité.



#### REMARQUE

Vous trouverez les valeurs seuil au chapitre « Caractéristiques techniques », page 72.

L'onduleur peut fonctionner dans les formes de réseau suivantes :

- **Réseau TN :**  
Le conducteur neutre de l'onduleur est connecté à la terre. Un disjoncteur différentiel doit être installé en aval.
- **Réseau IT :**  
Les deux phases sont isolées. Ceci est approprié pour le fonctionnement d'un consommateur électrique. Si plus d'un consommateur est connecté, un concept de protection doit être conçu (par exemple avec un moniteur d'isolation).

La forme du réseau est configurée via un commutateur DIP sur l'appareil.

Les onduleurs DSP13xxT, DSP18xxT, DSP23xxT sont équipés d'un câble de raccordement avec prise et fiche, qui sont montés en permanence sur l'appareil. L'onduleur DSP35xxT est raccordé directement aux bornes de raccordement via des raccords vissés PG.

Grâce à la synchronisation de phase, l'onduleur s'adapte à la position de phase de la tension d'entrée CA. Ceci évite les pics de tension lors de la commutation de la tension de la batterie à la tension du secteur.

L'onduleur convient pour faire fonctionner des consommateurs d'énergie sensibles, car la tension de sortie est une onde sinusoïdale pure.

L'onduleur est équipé d'un raccordement prioritaire. Si une tension externe de 230 V $\sim$  est présente, celle-ci est utilisée en priorité. Si aucune tension externe de 230 V $\sim$  n'est présente, la batterie raccordée est utilisée pour l'alimentation électrique.

L'onduleur peut être mis en mode économie d'énergie afin que la batterie raccordée ne se décharge pas trop vite.

L'onduleur peut être aisément mis en marche et à l'arrêt par télécommande (**accessoire**).

De plus, l'onduleur peut être contrôlé avec un moniteur d'énergie (**accessoire**).

## 7.1 Éléments de commande

Pos. dans fig. 2	Désignation	Description
1	Commutateur principal	<p><b>0</b> : Permet d'éteindre l'appareil de manière permanente.</p> <p><b>I</b> : Permet d'allumer l'appareil de manière permanente.</p> <p><b>II</b> : L'appareil peut être allumé et éteint à l'aide d'une télécommande (<b>accessoire</b>)</p>
2	Voyant d'état	Voir chapitre « Témoins lumineux de fonctionnement », page 66
3	Sécurité	Protège l'appareil de la surcharge. Le fusible peut être ré-enfoncé après qu'il s'est déclenché.
4	Commutateur DIP	Règle les paramètres de l'onduleur voir chapitre « Réglage de l'onduleur », page 67

## 7.2 Raccordements



### REMARQUE

La version présentée est celle pour l'Europe continentale.

Pos. dans fig. 2	Description
5	Entrée 230 V~ ( <b>DSP 35xxT</b> : Raccord vissé PG)
6	Sortie 230 V~ ( <b>DSP 35xxT</b> : Raccord vissé PG)
7	Borne de masse (mise à la terre sur la carrosserie du véhicule)
8	Borne positive
9	Borne négative
10	Raccordements CI/LIN-BUS (LINA)
11	Raccordement pour télécommande (LINB)
12	Raccordement pour commutateur à distance
13	Ventilateur (dos)

## 8 Montage de l'onduleur



### REMARQUE

Raccordez tous les câbles avant de monter l'onduleur, car vous pouvez accéder ainsi sans entrave à tous les raccordements.

### 8.1 Outils nécessaires

Pour le **raccordement électrique**, vous devez disposer des outils suivants :

- Pince de sertissage
- 3 câbles de raccordement flexibles de différentes couleurs. Vous trouverez la section nécessaire dans le tableau du chapitre « Raccordement de l'onduleur », page 63.
- Cosses de câble et embouts

Pour la **fixation** de l'onduleur, vous devez disposer des aides de montage suivantes :

- Vis d'assemblage (M4) à rondelles et écrous de protection ou
- Vis à tôle ou à bois.

## 8.2 Instructions de montage

Lisez attentivement les remarques suivantes lors du choix du lieu d'installation :

- Le montage de l'onduleur peut être horizontal ou vertical.
- L'onduleur doit être monté à un endroit protégé de l'humidité.
- L'onduleur ne doit pas être monté dans des environnements contenant des matériaux inflammables.
- L'onduleur ne doit pas être monté dans des environnements poussiéreux.
- Le lieu de montage doit être bien aéré. En cas d'installations dans de petits locaux fermés, ceux-ci doivent disposer d'un système d'aération et de ventilation. La distance libre minimale autour de l'onduleur doit être d'au moins 5 cm (fig. **3**).
- Les ouvertures de ventilation à l'avant et à l'arrière de l'onduleur doivent rester libres.
- À des températures ambiantes supérieures à 40 °C (p. ex. dans les salles des moteurs ou les chaufferies, à la lumière directe du soleil), l'onduleur peut s'éteindre, bien que la puissance des charges connectées soit inférieure à la charge nominale.
- La surface de montage doit être plane et présenter une stabilité suffisante.



### AVIS !

Avant de commencer à effectuer des perçages, assurez-vous qu'aucun câble électrique ou autre élément du véhicule ne risque d'être endommagé par le perçage, le sciage ou le limage.

## 8.3 Montage de l'onduleur

- ▶ Montez l'onduleur comme indiqué (fig. **4**).



## 9 Raccordement de l'onduleur

### 9.1 Consignes générales



#### AVERTISSEMENT !

- Seule une entreprise spécialisée possédant le savoir-faire nécessaire est habilitée à effectuer le raccordement de l'onduleur. Les informations suivantes sont destinées à un personnel qualifié, informé des directives et des consignes de sécurité à appliquer.
- L'onduleur **ne doit pas** être utilisé pour les véhicules dont le pôle positif de la batterie est relié au châssis.
- Si vous ne placez aucun fusible dans la **ligne positive** de la batterie, les lignes peuvent être surchargées, ce qui pourrait entraîner un incendie.

- En cas d'installation dans des véhicules ou bateaux, l'onduleur doit être relié au châssis ou à la masse.
- Lors de la construction d'un circuit de répartiteurs de prises (construction de réseau), respectez les directives de la norme VDE 0100.
- Utilisez exclusivement des câbles de cuivre.
- Les câbles doivent être aussi courts que possible (< 1 m).
- Pour la mise à la terre, utilisez un câble d'une section minimale de 4 mm<sup>2</sup>.
- Respectez le diamètre de câble nécessaire et placez un fusible de ligne (fig. 6 1) aussi près que possible de la batterie dans la ligne positive (voir tableau).

Appareil	Diamètre de câble nécessaire	Fusible de ligne
DSP1312T	35 mm <sup>2</sup>	200 A
DSP1324T	25 mm <sup>2</sup>	150 A
DSP1812T	50 mm <sup>2</sup>	250 A
DSP1824T	25 mm <sup>2</sup>	150 A
DSP2312T	70 mm <sup>2</sup>	300 A
DSP2324T	35 mm <sup>2</sup>	200 A
DSP3512T	2 x 50 mm <sup>2</sup>	2 x 250 A
DSP3524T	50 mm <sup>2</sup>	250 A

## 9.2 Raccordement de l'onduleur



### AVERTISSEMENT !

Avant le raccordement de la ligne de sortie de la tension alternative, assurez-vous que le commutateur principal est éteint.



### AVIS !

Assurez-vous que la polarité n'est pas inversée : Une polarité incorrecte peut endommager l'onduleur.



### REMARQUE

Vissez les vis ou les écrous avec un couple de serrage de max. 15 Nm. Si les vis sont mal serrées, cela peut provoquer des surchauffes.

- Connectez l'onduleur conformément à l'illustration :
  - Raccordement de la batterie : fig. **5** et fig. **6**
  - Raccordement de la borne de masse : fig. **7**
  - Raccordement d'une ligne d'alimentation 230 V : fig. **8** (INPUT)
  - Raccordement d'une ligne de sortie 230 V : fig. **8** (OUTPUT)

## 9.3 Raccordement de plusieurs consommateurs

A la livraison, l'appareil est équipé d'une séparation galvanique. Afin d'exploiter plusieurs consommateurs en toute sécurité, le montage d'un disjoncteur dans le circuit de bloc multiprise est indispensable.

- Montez un disjoncteur dans le circuit de bloc multiprise.

## 9.4 Raccordement de la télécommande (accessoire)



### AVIS !

Ne branchez le raccordement de la télécommande qu'au port remote. Un raccordement incorrect risque d'endommager l'appareil.

- Raccordez la télécommande comme indiqué (fig. **9**).

## 9.5 Raccordement d'un commutateur externe pour la mise en marche et à l'arrêt



### REMARQUE

Utilisez des câbles d'une section de 0,25 – 0,75 mm<sup>2</sup>.

Comme commutateur externe, vous pouvez utiliser :

- Commutateur externe, alimentation en tension par l'onduleur : fig. **10** A
  - Unité de commande avec câblage relais ou transistor (TR) : fig. **10** B
  - Commutateur externe avec alimentation en tension par la batterie (BAT) du véhicule : fig. **10** C
  - Commutateur externe avec alimentation électrique propre (DC POWER), p.ex. de l'allumage : fig. **10** D
- Mettez le commutateur principal en position (fig. **2** 1, ) « OFF ».
- Assurez-vous que le raccordement de la télécommande (fig. **2** 11) n'est pas utilisé.
- Mettez le commutateur principal en position (fig. **2** 1) « REMO ».
- Raccordez le commutateur externe de marche et d'arrêt à la borne (fig. **2** 12) à l'aide du câble de raccordement.

## 9.6 Raccordement du relais

Vous pouvez connecter un relais pour indiquer si l'entrée 230 V est connectée. Vous pouvez ainsi par exemple réaliser un antidémarrage pour que le véhicule ne puisse pas démarrer lorsque l'entrée 230 V est raccordée.

- Raccordez le relais comme indiqué (fig. **11**) :
- NO (Normally Open) : contact de fermeture
  - COM (Common) : contact à permutation
  - NC (Normally Closed) : contact d'ouverture

Spécification pour le relais :

Tension maximale	Charge	Courant consommé	
		NO	NC
250 V~	Ohmsch	0,5 A	0,5 A
12 V – 24 V==	Ohmsch	1 A	1 A

## 10 Utilisation de l'onduleur

### 10.1 Mise en service de l'onduleur

- ▶ Réglez le commutateur principal (fig. **2** 1) de l'onduleur de la manière suivante :
  - « **0** » : pour éteindre l'onduleur de manière permanente
  - « **I** » : pour allumer l'onduleur de manière permanente
  - « **II** » : pour pouvoir allumer ou éteindre l'onduleur avec une télécommande (**Accessoires**)
- ▶ L'onduleur procède à un test automatique lors de la mise en marche.
- ✓ Une fois le test automatique effectué, le voyant LED est allumé et reste bleu (fig. **2** 2).

### 10.2 Témoins lumineux de fonctionnement

Le voyant LED bleu (fig. **2** 2) indique l'état de fonctionnement de l'onduleur.

Affichage	Tension d'entrée
Éclairage permanent	Fonctionnement normal
Long clignotement, courte interruption	Surcharge de l'onduleur/surcharge
Clignotement rapide	Surtension/sous-tension
Clignotement rapide, longue interruption	Le moniteur d'isolation a éteint l'onduleur
Arrêt	Autre erreur

L'onduleur s'éteint si :

- la tension de la batterie chute en dessous de 10 V (raccordement 12 V $\overline{=}$ ) ou 20 V (raccordement 24 V $\overline{=}$ ).
  - la tension de la batterie monte au dessus de 16,5 V (raccordement 12 V $\overline{=}$ ) ou 33 V (raccordement 24 V $\overline{=}$ ).
  - L'onduleur est surchargé.
  - L'onduleur est surchauffé.
- ▶ Dans ce cas, désactivez l'onduleur à l'aide du commutateur principal (fig. **2** 1).
  - ▶ Vérifiez que l'onduleur est assez ventilé et que les ouvertures d'aération et fentes de ventilation sont libres.
  - ▶ Attendez env. 5 – 10 min et allumez de nouveau l'onduleur sans consommateur.

## 10.3 Réglage du mode économie d'énergie



### REMARQUE

Le mode économie d'énergie ne peut être activé et désactivé qu'à l'aide d'une télécommande.

## 10.4 Réglage de l'onduleur

Vous pouvez ajuster l'appareil à l'aide du commutateur DIP (fig. **2** 4).

### Attribution des réglages

Le commutateur DIP S1 vous permet de déterminer si le réglage des paramètres doit avoir lieu via le raccordement d'un panneau de commande compatible CI-BUS ou via les commutateurs DIP.

Commutateur DIP	
Paramètre	S1
Raccordement pour télécommande	Arrêt
Commutateur DIP	Marche

### Réglage de la tension secteur

Le commutateur DIP S2 permet de régler la tension du secteur.

Commutateur DIP	
Tension secteur	S2
230 V/50 Hz	Arrêt
240 V/60 Hz	Marche

## Réglage du mode économie d'énergie

Vous pouvez régler le mode économie d'énergie à l'aide des commutateurs DIP S3 et S4. Ainsi, la batterie à laquelle l'onduleur est raccordé ne se décharge pas aussi rapidement.

L'onduleur fonctionne en mode économie d'énergie tant que la puissance nécessaire se trouve en dessous de la valeur de puissance réglée. Si la puissance nécessaire se trouve au-dessus de la valeur de puissance réglée, l'onduleur fonctionne normalement.

Les valeurs à régler pour l'onduleur sont présentées dans le tableau suivant :

Mode économie d'énergie	Commutateur DIP	
	S3	S4
Mode économie d'énergie activé si la charge < 45 W Mode normal activé si la charge > 45 W	Arrêt	Arrêt
Mode économie d'énergie activé si la charge < 1 W L'onduleur s'éteint automatiquement après 20 minutes de fonctionnement en mode économie d'énergie. Mode normal activé si la charge > 1 W	Marche	Arrêt
Mode économie d'énergie activé si la charge < 1 W Mode normal activé si la charge > 1 W	Arrêt	Marche
Mode économie d'énergie activé si la charge $\geq$ 45 W L'onduleur s'éteint automatiquement après 20 minutes de fonctionnement en mode économie d'énergie. Mode normal activé si la charge > 45 W	Marche	Marche

## Régler la forme du réseau

Avec le commutateur DIP S5, vous pouvez spécifier dans quelle forme de réseau l'onduleur doit fonctionner.

Paramètre	Commutateur DIP S5
Réseau TN Un <b>disjoncteur de fuite à la terre</b> externe et en aval est nécessaire.	Arrêt
Réseau IT Fonctionnement avec un seul consommateur ou installation d'un moniteur d'isolation externe.	Marche

**Tenir compte des normes nationales !**

# 11 Entretien et nettoyage de l'onduleur



### AVIS !

N'utilisez aucun objet coupant ou dur, ni de détergents pour le nettoyage. Cela pourrait endommager le produit.

- Nettoyez le produit avec un tissu humide.

## 12 Élimination des erreurs



### AVERTISSEMENT !

N'ouvrez pas l'appareil. Vous vous exposez sinon à des risques d'électrocution !



### REMARQUE

En cas de questions sur les **caractéristiques de l'onduleur**, veuillez vous adresser au fabricant (adresses au dos de la notice).

Le voyant LED (fig. **2** 2) indique l'erreur :

Affichage LED	Cause	Solution
Clignotement rapide	Tension d'entrée trop élevée	Vérifiez la tension d'entrée et réduisez-la.
	Tension d'entrée trop basse	La batterie doit être rechargée. Vérifiez les lignes et les connexions.
Allumé 2 s, brève interruption	Surcharge thermique	<p>Éteignez l'onduleur et le consommateur.</p> <p>Attendez env. 5 – 10 minutes et allumez de nouveau l'onduleur sans consommateur d'énergie.</p> <p>Réduisez la charge et assurez-vous que l'onduleur est mieux aéré. Remettez alors le consommateur en marche.</p>
	Surcharge	<p>Éteignez l'onduleur et retirez le consommateur.</p> <p>Remettez alors l'onduleur en marche, sans le consommateur. Si aucune surcharge n'est plus affichée, il existe un court-circuit au niveau du consommateur ou la charge totale était supérieure à la puissance spécifiée dans la fiche technique.</p> <p>Vérifiez les lignes et les connexions.</p> <p>Appuyez à nouveau sur le fusible de l'appareil.</p>
Arrêt	Autre erreur	Adressez-vous au service après-vente.



## 13 Garantie

Le délai légal de garantie s'applique. Si le produit s'avérait défectueux, veuillez vous adresser à la filiale du fabricant située dans votre pays (voir adresses au verso du présent manuel) ou à votre revendeur spécialisé.

Veillez y joindre les documents suivants pour la gestion des réparations et de la garantie :

- une copie de la facture avec la date d'achat,
- le motif de la réclamation ou une description du dysfonctionnement.

## 14 Retraitement


- Jetez les emballages dans les conteneurs de déchets recyclables prévus à cet effet.



Lorsque vous mettez votre produit définitivement hors service, informez-vous auprès du centre de recyclage le plus proche ou auprès de votre revendeur spécialisé sur les prescriptions relatives au retraitement des déchets.

## 15 Caractéristiques techniques

Les caractéristiques techniques suivantes sont valables pour tous les onduleurs :

Tension de sortie :	230/240 V~ ± 3 %, onde sinusoïdale (taux de distorsion < 3 %)
Fréquence de sortie :	50/60 Hz ± 0,3 Hz
Évacuation de la chaleur :	Ventilateur à température et à charge contrôlées
Température ambiante de service :	de -20 °C à +60 °C
Température ambiante de stockage :	de -30 °C à +70 °C
Régulation de la puissance :	≥40 °C
Relais de pontage :	16 A/250 V~
Commutation de commande avec synchronisation de tension :	<20 ms
Humidité de l'air :	0 – 95 %, sans condensation
Contrôle/certificat :	

	<b>DSP1312T</b>	<b>DSP1812T</b>	<b>DSP1324T</b>	<b>DSP1824T</b>
Réf. :	9600002551	9600002553	9600002552	9600002554
Tension nominale d'entrée :	12 V $\overline{=}$		24 V $\overline{=}$	
Plage de tension d'entrée :	10 – 16,5 V $\overline{=}$		20 – 33 V $\overline{=}$	
Puissance nominale :	1200 W	1800 W	1200 W	1800 W
Puissance maximale pour 10 min :	1300 W	1800 W	1300 W	1800 W
Puissance maximale pour 3 min :	1380 W	2070 W	1380 W	2070 W
Puissance de crête pour 2 s :	2400 W	3600 W	2400 W	3600 W
Intensité absorbée à vide :	2,5 A	2,5 A	1,3 A	1,3 A
Consommation d'énergie en mode veille à la tension nominale :	<0,2 A	<0,2 A	<0,1 A	<0,1 A
Rendement :	>89 %		>90 %	
Réglage de la puissance avec une tension d'entrée comprise entre 10,0 V et 10,5 V :	1020 W	1530 W	1020 W	1530 W
Réglage de la puissance en cas de températures supérieures à 40 °C :	1,75 % de la puissance nominale par degré au-delà de 40 °C			
Dimensions L x P x H :	fig. <b>15</b>			
Poids :	4,8 kg	6,1 kg	4,8 kg	6,1 kg

	<b>DSP2312T</b>	<b>DSP3512T</b>	<b>DSP2324T</b>	<b>DSP3524T</b>
Réf. :	9600002555	9600002557	9600002556	9600002558
Tension nominale d'entrée :	12 V $\overline{=}$		24 V $\overline{=}$	
Plage de tension d'entrée :	10 – 16,5 V $\overline{=}$		20 – 33 V $\overline{=}$	
Puissance nominale :	2000 W	3000 W	2000 W	3000 W
Puissance maximale pour 10 min ( $U_{IN} > 12,5$ V) :	2300 W	3500 W	2300 W	3500 W
Puissance maximale pour 3 min ( $U_{IN} > 10,5$ V) :	2300 W	3500 W	2300 W	3500 W
Puissance de crête pour 2 s :	4000 W	6000 W	4000 W	6000 W
Intensité absorbée à vide :	2,8 A	3,6 A	1,4 A	1,8 A
Consommation d'énergie en mode veille à la tension nominale :	<0,2 A	<0,2 A	<0,15 A	<0,15 A
Rendement :	>89 %		>90 %	
Réglage de la puissance avec une tension d'entrée comprise entre 10,0 V et 10,5 V :	1700 W	2600 W	1700 W	2600 W
Réglage de la puissance en cas de températures supérieures à 40 °C :	1,75 % de la puissance nominale par degré au-delà de 40 °C			
Dimensions L x P x H :	fig. <b>15</b>			
Poids :	6,6 kg	10,9 kg	6,6 kg	10,9 kg

**Dispositifs de protection**

	<b>12 V</b>	<b>24 V</b>
Entrée :	sous-tension, protection contre les inversions de polarité (fusible interne)	
Sortie CA :	surtension, court-circuit, surcharge	
Entrée CA :	disjoncteur 16 A	
Température :	Arrêt	
Protection contre les courts-circuits :	oui, lpk	

**Protection de surtension**

<b>Appareil</b>	<b>Surtension</b>	
	<b>Arrêt</b>	<b>Redémarrage</b>
DSP1312T, DSP1812T, DSP2312T, DSP3512T	16,5 V	15,5 V
DSP1324T, DSP1824T, DSP2324T, DSP3524T	33 V	31 V

**Protection de sous-tension**

<b>Appareil</b>	<b>Sous-tension</b>	
	<b>Arrêt</b>	<b>Redémarrage</b>
DSP1312T, DSP1812T, DSP2312T, DSP3512T	10 V	12 V
DSP1324T, DSP1824T, DSP2324T, DSP3524T	20 V	24 V

Vous trouverez la déclaration de conformité UE actuelle pour votre appareil sur la page de produit concernée sur [dometic.com](http://dometic.com) ou directement auprès du fabricant (voir verso).

**Lea detenidamente estas instrucciones antes de llevar a cabo la instalación y puesta en funcionamiento, y consérvelas en un lugar seguro. En caso de vender o entregar el producto a otra persona, entregue también estas instrucciones.**

## Índice

1	Explicación de los símbolos . . . . .	77
2	Indicaciones generales de seguridad . . . . .	77
3	Volumen de entrega . . . . .	81
4	Accesorios . . . . .	81
5	Destinatarios de estas instrucciones . . . . .	82
6	Uso adecuado . . . . .	82
7	Descripción técnica . . . . .	82
8	Montaje del inversor . . . . .	85
9	Conexión del inversor . . . . .	87
10	Uso del inversor . . . . .	90
11	Mantenimiento y limpieza del inversor . . . . .	93
12	Solución de fallos . . . . .	94
13	Garantía legal . . . . .	95
14	Gestión de residuos . . . . .	95
15	Datos técnicos . . . . .	96

# 1 Explicación de los símbolos

**¡PELIGRO!**

**Indicación de seguridad:** su incumplimiento acarrea la muerte o graves lesiones.

**¡ADVERTENCIA!**

**Indicación de seguridad:** su incumplimiento puede acarrear la muerte o graves lesiones.

**¡AVISO!**

Su incumplimiento puede acarrear daños materiales y perjudicar el correcto funcionamiento del producto.

**NOTA**

Información adicional para el manejo del producto.

## 2 Indicaciones generales de seguridad

### 2.1 Seguridad general

El fabricante declina toda responsabilidad ante daños ocurridos en los siguientes casos:

- errores de montaje o de conexión
- daños en el producto debido a influencias mecánicas y sobretensiones
- modificaciones realizadas en el producto sin el expreso consentimiento del fabricante
- utilización del aparato para fines distintos a los descritos en las instrucciones

Al utilizar los aparatos eléctricos, respete las siguientes normas básicas de seguridad para protegerse de:

- descargas eléctricas
- peligro de incendio
- lesiones

## 2.2 Seguridad básica



### ¡PELIGRO!

- En caso de incendio, utilice un extintor adecuado para aparatos eléctricos.



### ¡ADVERTENCIA!

- Utilice el aparato sólo para aquellos fines para los que ha sido concebido.
- Preste atención a que los bornes rojo y negro **nunca** entren en contacto.
- Desconecte el aparato de la red
  - antes de realizar cualquier tarea de limpieza o mantenimiento
- En caso de que desmonte el aparato:
  - Suelte todas las conexiones.
  - Asegúrese de que todas las entradas y salidas estén sin tensión.
- Si el aparato o el cable de conexión presentan daños visibles, no debe poner en marcha el aparato.
- Si se daña el cable de conexión del aparato, el fabricante, su servicio de atención al cliente o una persona cualificada debe reemplazarlo para evitar así posibles peligros.
- Sólo personal especializado puede realizar reparaciones en el aparato. Las reparaciones que se realicen incorrectamente pueden dar lugar a situaciones de considerable peligro.
- Los niños mayores de 8 años y las personas de capacidad física, sensorial o mental disminuida, así como aquellas personas con falta de experiencia y/o conocimientos suficientes solo podrán utilizar este aparato si están vigilados o han sido instruidos respecto al uso seguro del aparato y a los posibles peligros que pueden emanar de él.
- **Los aparatos eléctricos no son juguetes.**  
Mantenga y utilice el aparato fuera del alcance de los niños.
- Controle a los niños para asegurarse de que no jueguen con el aparato.



### ¡AVISO!

- Antes de la puesta en funcionamiento, compare el valor de tensión indicado en la placa de características con el suministro de energía existente.
- Asegúrese de que otros aparatos **no** causen un cortocircuito en los contactos del aparato.



- No desenchufe nunca el cable de conexión tirando de él.
- Almacene el aparato en un lugar seco y fresco.

## 2.3 Seguridad en el montaje del aparato



### ¡PELIGRO!

- No monte el aparato en áreas donde haya peligro de explosiones a causa de gases o polvos explosivos.



### ¡ATENCIÓN!

- ¡Procure mantenerlo en una posición segura!  
Instale y fije el aparato de forma segura, de manera que no pueda caerse ni volcarse.



### ¡AVISO!

- No exponga el aparato a fuentes de calor (radiación directa del sol, calefacción, etc.). De este modo, evitará un calentamiento adicional del aparato.
- Coloque el aparato en un lugar seco y protegido contra posibles salpicaduras de agua.

## 2.4 Seguridad durante la conexión eléctrica del aparato



### ¡PELIGRO! ¡Peligro de muerte por descarga eléctrica!

- Al trabajar en instalaciones eléctricas asegúrese de que haya alguien en las cercanías para que le pueda ayudar en caso de emergencia.



### ¡ADVERTENCIA!

- Asegúrese de que la longitud de la sección de cable sea suficiente.
- Tienda los cables de forma que las puertas o el capó del motor no los puedan dañar.  
Los cables aplastados pueden provocar lesiones que pongan en peligro la vida.



### ¡ATENCIÓN!

- Tienda los cables de tal forma que no se pueda tropezar con ellos ni se pueda dañar el cable.



### ¡AVISO!

- Use tubos corrugados o guías de cables cuando los cables se tengan que pasar a través de paredes chapa u otras paredes afiladas.

- **No** tienda el cable de red de 230 V y el cable de corriente continua de 12 V en la misma canaleta (tubo corrugado).
- **No** tienda los cables de forma que queden sueltos o estén muy doblados.
- Fije bien los cables.
- No tire de los cables.

## 2.5 Seguridad durante el funcionamiento del aparato



### ¡PELIGRO! ¡Peligro de muerte por descarga eléctrica!

- No toque directamente con las manos cables sin aislamiento.



### ¡ADVERTENCIA!

- Monte el aparato únicamente en recintos cerrados y bien ventilados.



### ¡ATENCIÓN!

- **No** utilice este aparato
  - en entornos con contenido en sal, húmedos o mojados,
  - en las proximidades de vapores agresivos,
  - en las proximidades de materiales inflamables,
  - en áreas con riesgo de explosión.
- Antes de la puesta en funcionamiento, asegúrese de que el cable de alimentación y la clavija estén secos.
- Siempre que realice tareas en el aparato desconecte la alimentación de corriente.
- Tenga en cuenta que incluso después de haberse activado el dispositivo de protección (fusible), algunas partes del aparato pueden seguir bajo tensión.
- No desconecte ningún cable mientras el aparato aún se encuentre en funcionamiento.



### ¡AVISO!

- Asegúrese de que las entradas y salidas de aire del aparato no queden tapadas.
- Preste atención a que haya una buena ventilación.

### 3 Volumen de entrega

Pos. en fig. 1	Denominación
1	Inversor sinusoidal
2	Cable de conexión con conexión de seguridad (para salida de 230 V~)
3	Cable de conexión con clavija de seguridad (para alimentación de 230 V~)
-	Instrucciones de uso

### 4 Accesorios

Denominación	Nº de art.
Control remoto	9600002564
Monitor de energía	9600002565

## 5 Destinatarios de estas instrucciones

El capítulo "Conexión del inversor" en la página 87 va dirigido únicamente a personal técnico familiarizado con las directivas VDE correspondientes.

El resto de los capítulos van también dirigidos a los usuarios del aparato.

## 6 Uso adecuado



### ¡ADVERTENCIA!

El inversor no se puede usar en vehículos cuyo polo positivo de la batería esté conectado al chasis.

Los inversores sirven para transformar la tensión continua en una tensión alterna de 230 V – 240 V a 50 Hz o 60 Hz:

- **12 V $\overline{=}$** : DSP1312T, DSP1812T, DSP2312T, DSP3512T
- **24 V $\overline{=}$** : DSP1324T, DSP1824T, DSP2324T, DSP3524T

## 7 Descripción técnica

Los inversores pueden ponerse en funcionamiento en cualquier lugar donde se disponga de una conexión CC.

- **12 V $\overline{=}$** : DSP1312T, DSP1812T, DSP2312T, DSP3512T
- **24 V $\overline{=}$** : DSP1324T, DSP1824T, DSP2324T, DSP3524T

Gracias a su reducido peso y su estructura compacta, este aparato se puede instalar fácilmente en caravanas, vehículos industriales o yates a motor o vela.

La tensión de salida coincide con la tensión para aparatos domésticos de la caja de enchufe (tensión sinusoidal pura, factor de distorsión <3 %).

Preste atención a los valores para la potencia de salida constante y la potencia de salida máxima, como se indica en el capítulo "Datos técnicos" en la página 96. No se deben conectar aparatos que requieran más potencia.



### NOTA

A la hora de conectar aparatos con un motor de accionamiento eléctrico (por ejemplo, taladradora, nevera, etc.), tenga en cuenta que estos a menudo para arrancar necesitan un mayor consumo de potencia al indicado en la placa de características.

El inversor está equipado con distintos mecanismos de protección:

- **Protección contra la sobretensión:** El inversor se desconecta cuando el valor de tensión asciende por encima del valor de conexión. Cuando la tensión desciende al valor de reinicio, se vuelve a conectar.
- **Protección contra la subtensión:** El inversor se desconecta cuando el valor de tensión desciende por debajo del valor de conexión. Cuando la tensión asciende al valor de reinicio, se vuelve a conectar.
- **Protección contra el sobrecalentamiento:** El inversor se desconecta cuando la temperatura dentro del aparato o la temperatura del dispositivo de enfriamiento sobrepasan un valor de conexión. Cuando la tensión asciende al valor de reinicio, se vuelve a conectar.
- **Protección contra sobrecarga y protección contra cortocircuitos:** El LED en el inversor avisa de una avería cuando se ha conectado una carga demasiado grande o se ha producido un cortocircuito. El fusible del aparato debe volverse a conectar una vez que haya saltado por sobrecorriente.

**NOTA**

En el capítulo “Datos técnicos” en la página 96 encontrará cada uno de los valores de conexión.

El inversor puede usarse con las siguientes estructuras de red:

- **Red TN:**  
El conductor neutro del inversor está conectado a masa. Debe haber un interruptor de protección FI instalado detrás.
- **Red IT:**  
Ambas fases están aisladas. Esta situación es apta para el funcionamiento de un consumidor. Si se va a conectar más de un aparato, debe diseñarse un concepto de protección (p. ej., un controlador de aislamiento).

La estructura de red se configura directamente en el aparato a través de un interruptor DIP.

Los inversores DSP13xxT, DSP18xxT y DSP23xxT están provistos de un cable de conexión con caja de enchufe y clavija montados de forma fija en el aparato. El inversor DSP35xxT se conecta directamente a los bornes de conexión a través de uniones roscadas PG.

Con la sincronización de fases, el inversor se adapta al desfase de la tensión de entrada de CA. De este modo se evita que se produzcan picos de tensión al conmutar entre tensión de batería y tensión de red.

El inversor resulta adecuado para el funcionamiento de consumidores sensibles, puesto que la tensión de salida es una onda sinusoidal pura.

El inversor está provisto de una conexión de prioridad. Si hay una tensión externa de 230 V~, esta se utilizará de forma prioritaria. Si no hay tensión externa de 230 V~, se utilizará la batería conectada como fuente de alimentación de tensión.

El inversor puede ponerse en modo de ahorro de energía para que la batería conectada no se descargue demasiado rápido.

El inversor se puede encender y apagar con un control remoto (**accesorio**).

Además el inversor también se puede controlar con un monitor de energía (**accesorio**).

## 7.1 Elementos de mando

Pos. en fig. <b>2</b>	Denominación	Descripción
1	Interruptor principal	<b>0</b> : apaga el aparato de forma permanente <b>I</b> : enciende el aparato de forma permanente <b>II</b> : el aparato se puede encender y apagar con un control remoto ( <b>accesorio</b> )
2	LED de estado	Véase capítulo "Indicaciones de funcionamiento" en la página 90
3	Fusible	Protege el inversor de sobrecargas. El fusible puede volver a conectarse una vez que haya saltado.
4	Interruptor DIP	Realiza ajustes en el inversor Véase capítulo "Ajuste del inversor" en la página 91

## 7.2 Conexiones



### NOTA

En la imagen se representa la versión para Europa continental.

Pos. en fig. 2	Descripción
5	Entrada de 230 V~ ( <b>DSP 35xxT</b> : unión roscada PG)
6	Entrada de 230 V~ ( <b>DSP 35xxT</b> : unión roscada PG)
7	Borne de puesta a tierra (puesta a tierra en la carrocería del vehículo)
8	Borne positivo
9	Borne negativo
10	Conexiones CI/LIN-BUS (LINA)
11	Conexión para control remoto (LINB)
12	Conexión para interruptor remoto
13	Ventilador (para trasera)

## 8 Montaje del inversor



### NOTA

Antes de montar el inversor, conecte todos los cables porque así se puede acceder libremente a todas las conexiones.

### 8.1 Herramientas necesarias

Para la **conexión eléctrica** se requieren los siguientes medios auxiliares:

- Tenazas crimpadoras
- 3 cables de conexión flexibles de diferentes colores. Puede consultar la sección transversal requerida en la tabla del capítulo “Conexión del inversor” en la página 87.
- Terminales de cable y casquillos para los extremos de los hilos

Para la **sujeción** del inversor son necesarios los siguientes medios de montaje:

- Tornillos para máquina (M4) con arandelas de apoyo y tuercas autoblocantes o
- Tornillos para chapa o madera.

## 8.2 Indicaciones para el montaje

Al elegir el lugar de montaje, tenga en cuenta las siguientes indicaciones:

- El inversor se puede montar vertical u horizontalmente.
- El inversor se debe instalar en un lugar protegido contra la humedad.
- El inversor no se puede montar en un entorno con materiales inflamables.
- El inversor no se puede montar en un entorno con mucho polvo.
- El lugar de montaje tiene que estar bien ventilado. En caso de instalación en recintos cerrados pequeños, debe haber ventilación suficiente. La separación mínima del inversor con los objetos a su alrededor debe ser de 5 cm (fig. **3**).
- No se deben obstruir los orificios de ventilación de las partes delantera y trasera del inversor.
- En caso de que la temperatura supere los 40 °C (p. ej., en salas de motores o de calderas, o bajo la radiación directa del sol), puede ser que el inversor se desconecte aunque la potencia de los consumidores conectados esté por debajo de la carga nominal (derating).
- La superficie de montaje tiene que ser plana y tener una resistencia suficiente.



### ¡AVISO!

Antes de realizar cualquier perforación, asegúrese de que ningún cable eléctrico ni ninguna otra pieza del vehículo puedan resultar dañados al taladrar, serrar o limar.

## 8.3 Montaje del inversor

- Monte el inversor tal como se representa (fig. **4**).



## 9 Conexión del inversor

### 9.1 Indicaciones generales



#### ¡ADVERTENCIA!

- Solo personal técnico debidamente cualificado tiene permitido realizar la conexión del inversor. La siguiente información va dirigida a personal técnico familiarizado con las directivas y normativas de seguridad que se han de aplicar.
- El inversor **no** se puede usar en vehículos en los que el polo positivo de la batería está conectado al chasis.
- Si no instala un fusible en el **cable positivo** de la batería, se pueden sobrecargar los cables y producirse un incendio.

- El inversor tiene que estar conectado al chasis o a masa si está instalado en vehículos o embarcaciones.
- Respete la norma VDE 0100 si instala un circuito de distribución de cajas de enchufe (instalación de red).
- Utilice solamente cable de cobre.
- Intente que el cable sea lo más corto posible (< 1 m).
- Para la puesta a tierra utilice un cable con una sección de al menos 4 mm<sup>2</sup>.
- Respete la sección de cable requerida e instale un fusible (fig. **6** 1) lo más cerca posible de la batería en el cable positivo (véase la tabla).

Aparato	Sección de cable necesaria	Fusible del cable
DSP1312T	35 mm <sup>2</sup>	200 A
DSP1324T	25 mm <sup>2</sup>	150 A
DSP1812T	50 mm <sup>2</sup>	250 A
DSP1824T	25 mm <sup>2</sup>	150 A
DSP2312T	70 mm <sup>2</sup>	300 A
DSP2324T	35 mm <sup>2</sup>	200 A
DSP3512T	2 x 50 mm <sup>2</sup>	2 x 250 A
DSP3524T	50 mm <sup>2</sup>	250 A

## 9.2 Conexión del inversor



### ¡ADVERTENCIA!

Antes de conectar el cable de salida de tensión alterna, asegúrese de que el interruptor principal del inversor esté desconectado.



### ¡AVISO!

Asegúrese de no invertir la polaridad. Una polaridad incorrecta puede dañar el inversor.



### NOTA

Apriete los tornillos con una llave dinamométrica y a un par de apriete de máx. 15 Nm. Las conexiones sueltas pueden producir sobrecalentamientos.

- Conecte el inversor como se representa:
  - Conexión de la batería: fig. **5** y fig. **6**
  - Conexión del borne de puesta a tierra: fig. **7**
  - Conexión de un cable de alimentación de 230 V: fig. **8** (INPUT)
  - Conexión del cable de salida de 230 V: fig. **8** (OUTPUT)

## 9.3 Conectar varios aparatos

El aparato se suministra equipado con separación galvánica. Para el funcionamiento seguro de varios aparatos conectados es absolutamente necesario que se instale un interruptor de protección (interruptor FI) en el circuito de distribución de cajas de enchufe.

- Instale un interruptor FI en el circuito de distribución de cajas de enchufe.

## 9.4 Conectar el control remoto (accesorio)



### ¡AVISO!

Enchufe la conexión para el control remoto solo en el puerto Remote. Una conexión errónea puede dañar el aparato.

- Conecte el control remoto tal como se indica (fig. **9**).

## 9.5 Conexión de un interruptor externo para encender y apagar



### NOTA

Utilice cables con una sección de 0,25 – 0,75 mm<sup>2</sup>.

Como interruptor externo puede usar lo siguiente:

- interruptor externo, alimentación de tensión a partir del inversor: fig. **10** A
  - unidad de control con circuito de amortiguamiento de relé o de transistor (TR): fig. **10** B
  - interruptor externo con alimentación de tensión a través de la batería (BAT) del vehículo: fig. **10** C
  - interruptor externo con alimentación de tensión propia (DC POWER), por ejemplo, del encendido: fig. **10** D
- Coloque el interruptor principal (fig. **2** 1) en la posición “OFF”.
  - Asegúrese de que la conexión para el control remoto (fig. **2** 11) no esté ya ocupada.
  - Regule el interruptor principal (fig. **2** 1) a la posición “REMO”.
  - Con el cable de conexión, conecte el interruptor externo de encendido y apagado al borne (fig. **2** 12).

## 9.6 Conexión del relé

Se puede conectar un relé para indicar si está conectada la entrada de 230 V. De este modo se puede ejecutar un bloqueo antirrobo para que el vehículo no se pueda poner en marcha estando conectada la entrada de 230 V.

- Conecte el relé como se representa (fig. **11**):
  - NO (Normally Open): contacto de trabajo
  - COM (Common): contacto de conmutación
  - NC (Normally Closed): contacto de reposo

Especificaciones del relé:

Tensión máxima	Carga	Consumo de corriente	
		NO	NC
250 V~	Óhmica	0,5 A	0,5 A
12 V/24 V===	Óhmica	1 A	1 A

## 10 Uso del inversor

### 10.1 Conexión del inversor

- ▶ Ponga el interruptor principal (fig. **2** 1) del inversor en la posición que se indica a continuación:
  - “**0**”: para apagar de forma permanente el inversor
  - “**I**”: para encender de forma permanente el inversor
  - “**II**”: para poder encender y apagar el inversor con un control remoto (**accesorio**)
- ▶ Cuando se enciende, el inversor realiza un autotest.
- ✓ Si el autotest tiene éxito, se enciende el LED azul (fig. **2** 2).

### 10.2 Indicaciones de funcionamiento

El LED azul (fig. **2** 2) indica el estado de funcionamiento del inversor.

Indicación	Tensión de entrada
Iluminación permanente	Funcionamiento normal
Parpadeo prolongado, interrupción corta	Inversor sobrecalentado / sobrecarga
Parpadeo rápido	Sobretensión / subtensión
Parpadeo breve, interrupción prolongada	El controlador de aislamiento ha apagado el inversor
Apagado	Otros fallos

El inversor se apaga cuando:

- La tensión de la batería cae por debajo de 10 V (conexión de 12 V $\overline{---}$ ) o 20 V (conexión de 24 V $\overline{---}$ ).
- La tensión de la batería asciende por encima de 16,5 V (conexión de 12 V $\overline{---}$ ) o 33 V (conexión de 24 V $\overline{---}$ ).
- Se sobrecarga el inversor.
- Se sobrecalienta el inversor.

- En este caso, apague el inversor con el interruptor principal (fig. **2** 1).
- Asegúrese de que el inversor esté lo suficientemente ventilado y de que las aberturas de ventilación estén libres.
- Espere unos 5 – 10 minutos y vuelva a encender el inversor sin aparatos conectados.

### 10.3 Ajuste del modo de ahorro de energía



#### NOTA

El modo de ahorro de energía únicamente se puede activar y desactivar a través de un control remoto.

### 10.4 Ajuste del inversor

Puede adaptar el aparato con ayuda del interruptor DIP (fig. **2** 4).

#### Establecer ajustes

Con el interruptor DIP S1 puede usted establecer si el ajuste de los parámetros se debe realizar mediante la conexión de un panel de mando compatible con BUS CI o mediante los interruptores DIP.

Parámetros	Interruptor DIP
	S1
Conexión para control remoto	Desactivado
Interruptor DIP	Encendido

#### Ajuste de la tensión de red

Con el interruptor DIP S2 se puede ajustar la frecuencia de red.

Tensión de red	Interruptor DIP
	S2
230 V/50 Hz	desactivado
240 V/60 Hz	Conectado

## Ajuste del modo de ahorro de energía

Con los interruptores DIP S3 y S4 se puede ajustar el modo de ahorro de energía. De ese modo, la batería a la que conecte el inversor no se descarga tan rápido.

El inversor trabaja en modo de ahorro de energía siempre que la potencia solicitada esté por debajo del valor ajustado. Cuando la potencia requerida esté por encima del valor ajustado, el inversor trabaja en funcionamiento normal.

Consulte los valores a ajustar en su inversor de la siguiente tabla:

Modo de ahorro de energía	Interruptor DIP	
	S3	S4
Modo de ahorro de energía activado si la carga < 45 W Modo normal activado si la carga > 45 W	Desactivado	Desactivado
Modo de ahorro de energía activado si la carga < 1 W El inversor se apaga automáticamente después de 20 minutos de funcionamiento en modo de ahorro de energía Modo normal activado si la carga > 1 W	Encendido	Apagado
Modo de ahorro de energía activado si la carga < 1 W Modo normal activado si la carga > 1 W	Apagado	Encendido
Modo de ahorro de energía activado si la carga $\geq 45$ W El inversor se apaga automáticamente después de 20 minutos de funcionamiento en modo de ahorro de energía Modo normal activado si la carga > 45 W	Encendido	Encendido

## Ajuste de la estructura de red

Con el interruptor DIP S5 se puede determinar la estructura de red con la que se deba utilizar el inversor.

Parámetros	Interruptor DIP S5
Red TN <b>Es imprescindible un interruptor de protección FI</b> externo conectado detrás.	Apagado
Red IT Uso con un solo aparato conectado o instalación de un controlador de aislamiento externo. <b>¡Respetar las normas del país en cuestión!</b>	Conectado

# 11 Mantenimiento y limpieza del inversor



### ¡AVISO!

No utilice ningún objeto o producto de limpieza corrosivo o duro en la limpieza, ya que podría dañar el producto.

- Limpie de vez en cuando el producto con un paño húmedo.

## 12 Solución de fallos



### ¡ADVERTENCIA!

No abra el aparato. ¡Corre el riesgo de sufrir una descarga eléctrica!



### NOTA

Para cuestiones más detalladas sobre los **datos del inversor**, póngase en contacto con el fabricante (encontrará las direcciones en la página posterior de las instrucciones).

El LED (fig. **2** 2) indica el fallo:

Indicador LED	Causa	Solución
Parpadeo rápido	La tensión de entrada es demasiado alta	Compruebe la tensión de entrada y redúzcala.
	La tensión de entrada es demasiado baja	Hay que recargar la batería. Compruebe los cables y las conexiones.
Luce 2 s, interrupción corta	Sobrecarga térmica	Desconecte el inversor y el aparato conectado a él. Espere unos 5 – 10 minutos y vuelva a encender el inversor sin aparatos conectados a él. Reduzca la carga y asegúrese de que el inversor tiene una mejor ventilación. Después, vuelva a conectar el aparato al inversor.
	Sobrecarga	Desconecte el inversor y retire el aparato conectado a él. Después, vuelva a conectar el inversor sin aparatos conectados a él. Si ya no se indica una sobrecarga, hay un cortocircuito en el aparato conectado o la carga total era superior a la potencia especificada en la hoja de datos. Compruebe los cables y las conexiones. Vuelva a presionar hacia dentro el fusible del aparato.
Apagado	Otros fallos	Diríjase al servicio de atención al cliente.



## 13 Garantía legal

Rige el plazo de garantía legal. Si el producto presenta algún defecto, diríjase a la sucursal del fabricante de su país (ver direcciones en el dorso de estas instrucciones) o a su establecimiento especializado.

Para la tramitación de la reparación y de la garantía debe enviar también los siguientes documentos:

- una copia de la factura con fecha de compra,
- el motivo de la reclamación o una descripción de la avería.

## 14 Gestión de residuos

► Deseche el material de embalaje en el contenedor de reciclaje correspondiente.



Cuando vaya a desechar definitivamente el producto, infórmese en el centro de reciclaje más cercano o en un comercio especializado sobre las normas pertinentes de eliminación de materiales.

## 15 Datos técnicos

Los siguientes datos técnicos rigen para todos los inversores:

Tensión de salida:	230/240 V~ ± 3 %, onda sinusoidal pura (factor de distorsión <3 %)
Frecuencia de salida:	50/60 Hz ± 0,3 Hz
Evacuación de calor:	ventilador controlado en función de la temperatura y la carga
Temperatura ambiente para el funcionamiento:	de -20 °C a +60 °C
Temperatura ambiente almacenamiento:	de -30 °C a +70 °C
Regulación de potencia:	≥40 °C
Relé puente:	16 A/250 V~
Conmutación de puenteo con sincronización de la tensión:	<20 ms
Humedad del aire:	0 – 95 %, sin condensación
Homologación/certificado:	  

	<b>DSP1312T</b>	<b>DSP1812T</b>	<b>DSP1324T</b>	<b>DSP1824T</b>
N.º de art.:	9600002551	9600002553	9600002552	9600002554
Tensión nominal de entrada:	12 V $\equiv$		24 V $\equiv$	
Rango de tensión de entrada:	10 – 16,5 V $\equiv$		20 – 33 V $\equiv$	
Potencia nominal:	1200 W	1800 W	1200 W	1800 W
Potencia máxima para 10 min:	1300 W	1800 W	1300 W	1800 W
Potencia máxima para 3 min:	1380 W	2070 W	1380 W	2070 W
Potencia transitoria para 2 s:	2400 W	3600 W	2400 W	3600 W
Consumo de corriente sin carga:	2,5 A	2,5 A	1,3 A	1,3 A
Consumo de corriente en standby con tensión nominal:	<0,2 A	<0,2 A	<0,1 A	<0,1 A
Grado de eficacia:	>89 %		>90 %	
Adaptación de potencia con una tensión de entrada entre 10,0 y 10,5 V:	1020 W	1530 W	1020 W	1530 W
Adaptación de potencia con temperaturas por encima de 40 °C:	1,75 % de la potencia nominal por grado por encima de 40 °C			
Dimensiones A x L x H:	fig. <b>15</b>			
Peso:	4,8 kg	6,1 kg	4,8 kg	6,1 kg

	<b>DSP2312T</b>	<b>DSP3512T</b>	<b>DSP2324T</b>	<b>DSP3524T</b>
N.º de art.:	9600002555	9600002557	9600002556	9600002558
Tensión nominal de entrada:	12 V $\equiv$		24 V $\equiv$	
Rango de tensión de entrada:	10 – 16,5 V $\equiv$		20 – 33 V $\equiv$	
Potencia nominal:	2000 W	3000 W	2000 W	3000 W
Potencia máxima durante 10 min ( $U_{IN} > 12,5$ V):	2300 W	3500 W	2300 W	3500 W
Potencia máxima durante 3 min ( $U_{IN} > 10,5$ V):	2300 W	3500 W	2300 W	3500 W
Potencia transitoria para 2 s:	4000 W	6000 W	4000 W	6000 W
Consumo de corriente sin carga:	2,8 A	3,6 A	1,4 A	1,8 A
Consumo de corriente en standby con tensión nominal:	<0,2 A	<0,2 A	<0,15 A	<0,15 A
Grado de eficacia:	>89 %		>90 %	
Adaptación de potencia con una tensión de entrada entre 10,0 y 10,5 V:	1700 W	2600 W	1700 W	2600 W
Adaptación de potencia con temperaturas por encima de 40 °C:	1,75 % de la potencia nominal por grado por encima de 40 °C			
Dimensiones A x L x H:	fig. <b>15</b>			
Peso:	6,6 kg	10,9 kg	6,6 kg	10,9 kg

**Dispositivos de seguridad**

	<b>12 V</b>	<b>24 V</b>
Entrada:	Subtensión, protección contra inversión de polaridad (fusible interno)	
Salida de CA:	Sobretensión, cortocircuito, sobrecarga	
Entrada de CA:	Interruptor de protección de 16 A	
Temperatura:	Desconexión	
Protección contra cortocircuito:	sí, lpk	

**Protección contra sobretensión**

<b>Aparato</b>	<b>Sobretensión</b>	
	<b>Desconexión</b>	<b>Reinicio</b>
DSP1312T, DSP1812T, DSP2312T, DSP3512T	16,5 V	15,5 V
DSP1324T, DSP1824T, DSP2324T, DSP3524T	33 V	31 V

**Protección contra la subtensión**

<b>Aparato</b>	<b>Subtensión</b>	
	<b>Desconexión</b>	<b>Reinicio</b>
DSP1312T, DSP1812T, DSP2312T, DSP3512T	10 V	12 V
DSP1324T, DSP1824T, DSP2324T, DSP3524T	20 V	24 V

Encontrará la declaración de conformidad UE actual para su aparato en la página correspondiente al producto en [dometic.com](http://dometic.com) o directamente a través del fabricante (véase la parte posterior).

**Por favor, leia atentamente este manual antes da montagem e colocação em funcionamento do aparelho e guarde-o em local seguro. Em caso de transmissão do produto, entregue o manual ao novo utilizador.**

## Índice

1	Explicação dos símbolos . . . . .	101
2	Indicações gerais de segurança . . . . .	101
3	Material fornecido . . . . .	105
4	Acessórios . . . . .	105
5	Destinatários do presente manual . . . . .	106
6	Utilização adequada . . . . .	106
7	Descrição técnica . . . . .	106
8	Montar o conversor . . . . .	109
9	Conectar o conversor . . . . .	111
10	Utilizar o conversor . . . . .	114
11	Conservar e limpar o conversor . . . . .	117
12	Eliminação de erros . . . . .	118
13	Garantia . . . . .	119
14	Eliminação . . . . .	119
15	Dados técnicos . . . . .	120

# 1 Explicação dos símbolos

**PERIGO!**

**Indicação de segurança:** o incumprimento causa a morte ou ferimentos graves.

**AVISO!**

**Indicação de segurança:** o incumprimento pode provocar a morte ou ferimentos graves.

**NOTA!**

O incumprimento pode causar danos materiais e pode prejudicar o funcionamento do produto.

**OBSERVAÇÃO**

Informações suplementares sobre a operação do produto.

## 2 Indicações gerais de segurança

### 2.1 Segurança geral

O fabricante não se responsabiliza por danos nos seguintes casos:

- Erros de montagem ou de conexão
- Danos no produto resultantes de influências mecânicas e sobretensões
- Alterações ao produto sem autorização expressa do fabricante
- Utilização para outras finalidades que não as descritas no manual de instruções

Tenha em atenção as seguintes medidas de segurança fundamentais na utilização de aparelhos elétricos para a proteção contra:

- choque elétrico
- perigo de incêndio
- ferimentos

## 2.2 Segurança essencial



### PERIGO!

- No caso de um incêndio, use um extintor que seja adequado para aparelhos eléctricos.



### AVISO!

- Utilize o aparelho apenas para o fim previsto.
- Tenha atenção para que o borne vermelho e o borne preto **nunca** se toquem.
- Separe o aparelho da rede eléctrica
  - antes de cada limpeza e conservação
- Caso desmonte o aparelho:
  - Solte todas as ligações.
  - Certifique-se de que todas as entrada e saídas estão livres de tensão.
- Se o aparelho ou o cabo de ligação apresentar danos visíveis, não deve ser colocado em funcionamento.
- Se danificar o cabo de conexão deste aparelho, o mesmo tem de ser substituído pelo fabricante, pela sua assistência técnica ou por uma pessoa com qualificações equivalentes para evitar perigos.
- As reparações neste aparelho apenas devem ser realizadas por técnicos especializados. As reparações inadequadas podem provocar perigos graves.
- Este aparelho pode ser utilizado por crianças a partir dos 8 anos, assim como por pessoas com capacidades físicas, sensoriais ou mentais reduzidas e/ou com insuficiente experiência e conhecimento, quando supervisionadas ou quando tenham recebido informação acerca da utilização segura do aparelho e tenham compreendido os perigos dele resultantes.
- **Os aparelhos eléctricos não são brinquedos!**  
Guarde e utilize o aparelho fora do alcance das crianças.
- As crianças devem ser supervisionadas para assegurar que não brinquem com o aparelho.



**NOTA!**

- Antes da colocação em funcionamento, compare a indicação da tensão na placa de características com a alimentação de energia existente.
- Tenha atenção para que outros objectos **não** causem curto-circuito nos contactos do aparelho.
- Nunca retire a ficha da tomada eléctrica puxando pelo cabo de conexão.
- Guarde o aparelho num local seco e fresco.

## 2.3 Segurança durante a montagem do aparelho

**PERIGO!**

- Não monte o aparelho em áreas nas quais existe perigo de explosão de gás ou de pó.

**PRECAUÇÃO!**

- Tenha atenção para que esteja bem posicionado!  
O aparelho deve estar instalado e fixo de modo a que não possa tombar ou cair.

**NOTA!**

- Não exponha o aparelho a fontes de calor (irradiação solar, aquecimento, etc). Assim, evita um aquecimento adicional do aparelho.
- Faça a montagem do aparelho num lugar seco e protegido contra salpicos de água.

## 2.4 Segurança durante a ligação eléctrica do aparelho

**PERIGO! Perigo de morte devido a choque eléctrico!**

- Quando trabalha em unidades eléctricas, certifique-se que está alguém por perto para o ajudar em caso de emergência.

**AVISO!**

- Tenha atenção a um secção transversal suficiente do cabo!
- Coloque os cabos de forma a que não sejam danificados através de portas ou de capôs de motores.  
Cabos trilhados podem conduzir a ferimentos com risco de vida.

**PRECAUÇÃO!**

- Coloque os cabos de modo a que não exista perigo de tropeçar e que sejam excluídos danos nos cabos.

**NOTA!**

- Utilize tubos vazios ou tubos de passar cabos quando os cabos tenham de ser passados por paredes de chapa ou outras paredes com arestas afiadas.
- **Não** coloque o cabo de rede de 230 V e o cabo de corrente contínua de 12 V no mesmo canal de cabos (tubo vazio).
- **Não** coloque os cabos soltos ou muito dobrados.
- Fixe bem os cabos.
- Não puxe pelos cabos.

## 2.5 Segurança durante a utilização do aparelho

**PERIGO! Perigo de morte devido a choque elétrico!**

- Nunca toque nos cabos não blindados apenas com as mãos.

**AVISO!**

- Use o aparelho exclusivamente em divisões fechadas e bem ventiladas.

**PRECAUÇÃO!**

- **Não** opere o aparelho
  - em ambiente salífero, húmido ou molhado
  - na proximidade de vapores agressivos
  - perto de materiais inflamáveis,
  - em áreas com perigo de explosão.
- Antes da colocação em funcionamento, tenha atenção para que o cabo de conexão e a ficha estejam secos.
- No caso de trabalhos no aparelho, deve interromper sempre a alimentação de corrente.
- Tenha em atenção que mesmo depois de disparar o dispositivo de segurança (fusível) há peças do aparelho que podem permanecer sob tensão.
- Não solte cabos enquanto o aparelho estiver em funcionamento.

**NOTA!**

- Preste atenção para não obstruir as entradas e saídas de ar do aparelho.
- Tenha atenção a uma boa ventilação.

### 3 Material fornecido

Pos. na fig. <b>1</b>	Designação
1	Conversor sinusoidal
2	Cabo de conexão com acoplamento Schuko (para saída de 230 V~)
3	Cabo de conexão com ficha Schuko (para alimentação de 230 V~)
–	Manual de instruções

### 4 Acessórios

Designação	N.º art.
Controlo remoto	9600002564
Monitor de energia	9600002565

## 5 Destinatários do presente manual

O capítulo “Conectar o conversor” na página 111 destina-se exclusivamente a técnicos que estejam devidamente familiarizados com as diretivas VDE.

Todos os outros capítulos também se destinam aos utilizadores do aparelho.

## 6 Utilização adequada



### AVISO!

O conversor não pode ser utilizado em veículos cujo polo positivo da bateria esteja ligado ao chassi.

Os conversores destinam-se a converter a corrente contínua numa corrente alternada de 230 – 240 V com 50 Hz ou 60 Hz:

- **12 V**: DSP1312T, DSP1812T, DSP2312T, DSP3512T
- **24 V**: DSP1324T, DSP1824T, DSP2324T, DSP3524T

## 7 Descrição técnica

Os conversores podem ser operados em qualquer lugar onde esteja disponível uma tomada de corrente contínua.

- **12 V**: DSP1312T, DSP1812T, DSP2312T, DSP3512T
- **24 V**: DSP1324T, DSP1824T, DSP2324T, DSP3524T

Graças ao reduzido peso e à estrutura compacta, o aparelho pode ser facilmente instalado em autocaravanas, veículos comerciais ou embarcações a motor e vela.

A tensão de saída corresponde à tensão obtida nas tomadas elétricas de casa (tensão sinusoidal pura, THD <3 %).

Respeite os valores para a potência de saída contínua e para a potência de saída máxima indicados no capítulo “Dados técnicos” na página 120. Aparelhos com um consumo de potência mais elevado não devem ser conectados.



### OBSERVAÇÃO

Ao conectar aparelhos com acionamento elétrico (por exemplo, berbequim, frigorífico, etc.), tenha em consideração que os mesmos necessitam frequentemente de uma potência de arranque mais elevada do que a indicada na chapa de características.

O conversor está equipado com diferentes mecanismos de proteção:

- **Proteção contra sobretensão:** O conversor desliga-se quando o valor de tensão excede o valor de desativação. Quando a tensão baixa para o valor de reinício, o conversor volta a ligar-se.
- **Proteção contra subtensão:** O conversor desliga-se quando o valor de tensão desce abaixo do valor de desativação. Quando a tensão sobe para o valor de reinício, o conversor volta a ligar-se.
- **Proteção contra sobreaquecimento:** O conversor desliga-se quando a temperatura dentro do aparelho ou a temperatura do dissipador de calor excede o valor de desativação. Quando a tensão sobe para o valor de reinício, o conversor volta a ligar-se.
- **Proteção contra sobrecarga e curto-circuito:** O LED no conversor indica uma falha de funcionamento sempre que a carga elétrica conectada for demasiado alta ou ocorrer um curto-circuito. Após ter disparado devido a uma corrente elétrica excessiva, o fusível do aparelho tem de ser rearmado manualmente.



#### OBSERVAÇÃO

Encontrará cada um dos valores de conexão no capítulo “Dados técnicos” na página 120.

O conversor pode ser operado nos seguintes sistemas de rede:

- **Rede TN:**  
O condutor neutro do conversor está ligado à terra. Deve ser instalado um interruptor de segurança de corrente residual a jusante do conversor.
- **Rede TI:**  
Ambos os condutores isolados. Este é o mais adequado para o consumidor. Se estiver conectado mais de um consumidor, deve ser concebido um sistema de proteção (por ex., controlador de isolamentos).

O sistema de rede é configurado através de um interruptor DIP do aparelho.

Os conversores DSP13xxT, DSP18xxT e DSP23xxT possuem um cabo de conexão com tomada e ficha, montados de forma fixa no aparelho. O conversor DSP35xxT é conectado diretamente aos bornes de conexão através das uniões roscadas PG.

Através da sincronização de fases, o conversor adapta-se à posição dos condutores da tensão de entrada AC. Desta forma, são evitados picos de tensão ao comutar da tensão da bateria para a tensão de alimentação.

O conversor é adequado para a alimentação de consumidores sensíveis, uma vez que a tensão de saída é uma onda sinusoidal pura.

O conversor está equipado com uma ligação prioritária. Caso exista uma tensão externa de 230 V~, esta é usada primeiro. Se não existir uma tensão externa de 230 V~, é usada a bateria conectada para a alimentação de tensão.

O conversor pode ser ligado no modo de poupança de energia, para que a bateria conectada não fique rapidamente sem carga.

O conversor pode ser ligado e desligado através do controlo remoto (**acessório**).

Adicionalmente, o conversor pode ser controlado com um monitor de energia (**acessório**).

## 7.1 Elementos de comando

Pos. na fig. <b>2</b>	Designação	Descrição
1	Interruptor principal	<p><b>0</b>: Desliga o aparelho permanentemente</p> <p><b>I</b>: Liga o aparelho permanentemente</p> <p><b>II</b>: O aparelho pode ser ligado e desligado através de um controlo remoto (<b>acessório</b>)</p>
2	LED de estado	Ver capítulo "Indicações de funcionamento" na página 114
3	Fusível	Protege o conversor contra sobrecarga. O fusível pode voltar a ser armado depois de ter disparado.
4	Interruptor DIP	Configura o conversor Ver capítulo "Configurar o conversor" na página 115

## 7.2 Conexões



### OBSERVAÇÃO

A versão ilustrada destina-se à Europa continental.

Pos. na fig. 2	Descrição
5	Entrada de 230 V~ ( <b>DSP 35xxT</b> : União roscada PG)
6	Saída de 230 V~ ( <b>DSP 35xxT</b> : União roscada PG)
7	Borne de terra (conexão à terra na carroçaria do veículo)
8	Borne positivo
9	Borne negativo
10	Conexões BUS CI/LIN (LINA)
11	Conexão para controlo remoto (LINB)
12	Conexão para painel de comando
13	Ventilador (verso)

## 8 Montar o conversor



### OBSERVAÇÃO

Antes de montar o conversor, deve conectar todos os cabos porque desta forma as conexões ficam totalmente acessíveis.

### 8.1 Ferramentas necessárias

Para a **conexão elétrica**, são necessárias as seguintes ferramentas de apoio:

- Alicates de crimpar
- 3 cabos de conexão flexíveis com diferentes cores. A secção transversal necessária pode ser consultada na tabela no capítulo “Conectar o conversor” na página 111.
- Terminais de cabos e mangas para fios

Para a **fixação** do conversor, necessita dos seguintes meios de montagem:

- Parafusos (M4) com arruelas e porcas de autobloqueio ou
- Parafusos para chapa ou madeira.

## 8.2 Indicações de montagem

Ao seleccionar o local de montagem, tenha atenção às seguintes indicações:

- A montagem do conversor tanto pode ser feita na horizontal como na vertical.
- O conversor tem de ser montado em local protegido da humidade.
- O conversor não pode ser instalado em ambientes com materiais inflamáveis.
- O conversor não pode ser instalado em ambientes com pó.
- O local de montagem deve ser bem ventilado. No caso de instalações em divisões pequenas e fechadas, deve existir uma boa ventilação e exaustão de ar. A distância livre à volta do conversor deve ser de, no mínimo, 5 cm (fig. 3).
- As aberturas de ventilação nas partes dianteira e traseira do conversor devem permanecer desobstruídas.
- Em temperaturas ambiente superiores a 40 °C (por ex. no motor ou em salas de caldeiras ou com luz solar direta) o conversor pode desligar-se, mesmo que a potência das cargas dos consumidores conectados seja inferior à carga nominal (redução).
- A superfície de montagem deve ser plana e apresentar uma estabilidade suficiente.



### NOTA!

Antes de fazer quaisquer perfurações, certifique-se de que não são danificados cabos eléctricos ou outras peças do veículo no seguimento de trabalhos de perfuração, corte ou lixamento.

## 8.3 Montar o conversor

- ▶ Instale o conversor como ilustrado (fig. 4).



## 9 Conectar o conversor

### 9.1 Indicações gerais



#### AVISO!

- A conexão do conversor apenas pode ser efetuada por empresas especializadas. As seguintes informações destinam-se a técnicos devidamente familiarizados com as diretivas e medidas de segurança a aplicar.
- O conversor **não** pode ser utilizado em veículos cujo polo positivo da bateria esteja ligado ao chassi.
- Se não colocar nenhum fusível no **cabo positivo** da bateria, os cabos podem ficar sobrecarregados, podendo dar origem a um incêndio.

- O conversor tem de ser ligado ao chassi ou à terra se estiver instalado em veículos ou embarcações.
- Respeite a norma VDE 0100 se instalar um circuito de distribuição de tomadas de corrente (instalação de rede).
- Utilize exclusivamente cabos de cobre.
- Mantenha o cabo o mais curto possível (< 1 m).
- Para a ligação à terra, utilize um cabo com uma secção transversal mínima de 4 mm<sup>2</sup>.
- Respeite o corte transversal do cabo necessário e instale um fusível (fig. **6** 1) no cabo positivo o mais próximo possível da bateria (ver tabela).

Aparelho	Corte transversal do cabo necessário	Fusível
DSP1312T	35 mm <sup>2</sup>	200 A
DSP1324T	25 mm <sup>2</sup>	150 A
DSP1812T	50 mm <sup>2</sup>	250 A
DSP1824T	25 mm <sup>2</sup>	150 A
DSP2312T	70 mm <sup>2</sup>	300 A
DSP2324T	35 mm <sup>2</sup>	200 A
DSP3512T	2 x 50 mm <sup>2</sup>	2 x 250 A
DSP3524T	50 mm <sup>2</sup>	250 A

## 9.2 Conectar o conversor



### AVISO!

Antes de conectar o cabo de saída de tensão alternada, certifique-se de que o conversor está desligado com o interruptor principal.



### NOTA!

Tenha atenção para que a polaridade não seja trocada. Uma polaridade incorreta pode danificar o conversor.



### OBSERVAÇÃO

Aperte os parafusos ou porcas com um binário de aperto de, no máx., 15 Nm. As conexões soltas podem dar origem a sobreaquecimentos.

- Conecte o conversor como ilustrado:
  - Conectar a bateria: fig. **5** e fig. **6**
  - Conectar o borne de terra: fig. **7**
  - Conectar o cabo de alimentação de 230 V: fig. **8** (INPUT)
  - Conectar o cabo de saída de 230 V: fig. **8** (OUTPUT)

## 9.3 Conectar vários consumidores

No estado inicial, o aparelho está equipado com um isolamento galvânico. Para o funcionamento seguro com vários consumidores, é obrigatoriamente necessário que no circuito de distribuição das tomadas seja instalado um interruptor de segurança (corta-circuito).

- Monte um corta-circuito no circuito de distribuição das tomadas.

## 9.4 Conectar o controlo remoto (acessório)



### NOTA!

Insira a conexão para o controlo remoto apenas na porta Remote. Uma conexão incorreta pode danificar o aparelho.

- Conecte o controlo remoto como ilustrado (fig. **9**).

## 9.5 Conectar o interruptor externo para ligar e desligar



### OBSERVAÇÃO

Utilize cabos com um corte transversal do cabo de 0,25 – 0,75 mm<sup>2</sup>.

Como interruptor externo pode utilizar o seguinte:

- Interruptor externo, alimentação de tensão a partir do conversor: fig. **10** A
  - Unidade de controlo com circuito de relé ou de transmissor (TR): fig. **10** B
  - Interruptor externo com alimentação de tensão através da bateria (BAT) do veículo: fig. **10** C
  - Interruptor externo com alimentação de tensão própria (DC POWER), por exemplo, da ignição: fig. **10** D
- Coloque o interruptor principal (fig. **2** 1) em “OFF”.
  - Certifique-se de que a conexão para o controlo remoto (fig. **2** 11) não está ocupada.
  - Coloque o interruptor principal (fig. **2** 1) em “REMO.”.
  - Conecte o interruptor de ligar/desligar externo com o cabo de conexão ao borne (fig. **2** 12).

## 9.6 Conectar um relé

É possível conectar um relé que indica se a entrada de 230 V está conectada. Desta forma, é possível, por ex., implementar um imobilizador, para que o veículo não arranque quando estiver conectada a entrada de 230 V.

- Conecte o relé como ilustrado (fig. **11**):
  - NO (Normally Open): contacto de trabalho
  - COM (Common): contacto de comutação
  - NC (Normally Closed): contacto de repouso

Especificação para o relé:

Tensão máxima	Carga	Consumo de corrente	
		NO	NC
250 V~	Óhmico	0,5 A	0,5 A
12 V/24 V==	Óhmico	1 A	1 A

## 10 Utilizar o conversor

### 10.1 Ligar o conversor

- ▶ Coloque o interruptor principal (fig. **2** 1) do conversor da seguinte forma:
  - “**O**”: para desligar o conversor permanentemente
  - “**I**”: para ligar o conversor permanentemente
  - “**II**”: para poder ligar e desligar o conversor com um controlo remoto (**acessório**)
- ▶ Ao ligar, o conversor executa um autodiagnóstico.
- ✓ Após um autodiagnóstico bem-sucedido, o LED acende a azul (fig. **2** 2).

### 10.2 Indicações de funcionamento

O LED azul (fig. **2** 2) indica o estado de funcionamento do conversor.

Indicação	Tensão de entrada
Luzes permanentes	Funcionamento normal
Intermitência lenta, interrupção rápida	Sobreaquecimento ou sobrecarga do conversor
Intermitência rápida	Sobretensão/subtensão
Intermitência breve, interrupção longa	O controlador de isolamentos desligou o conversor
Desligado	Outro erro

O conversor desliga-se quando:

- A tensão da bateria desce abaixo dos 10 V (conexão de 12 V $\Rightarrow$ ) ou 20 V (conexão de 24 V $\Rightarrow$ ).
- A tensão da bateria sobe além dos 16,5 V (conexão de 12 V $\Rightarrow$ ) ou dos 33 V (conexão de 24 V $\Rightarrow$ ).
- O conversor fica sobrecarregado.
- O conversor fica sobreaquecido.

- Neste caso, desligue o conversor com o interruptor principal (fig. 2 1).
- Verifique se o conversor é ventilado de forma satisfatória e se as aberturas do ventilador ou ranhuras de ventilação não estão obstruídas.
- Aguarde aprox. 5 – 10 minutos e volte a ligar o conversor sem consumidores.

### 10.3 Configurar o modo de poupança de energia



#### OBSERVAÇÃO

O modo de poupança de energia pode ser ligado e desligado apenas com um controlo remoto.

### 10.4 Configurar o conversor

O aparelho pode ser configurado com a ajuda dos interruptores DIP (fig. 2 4).

#### Determinar as configurações

Com o interruptor DIP S1 pode determinar se a configuração dos parâmetros deve ser efetuada através da conexão de um painel de controlo compatível com BUS CI ou através dos interruptores DIP.

Parâmetros	Interruptor DIP
	S1
Conexão para controlo remoto	Desligado
Interruptor DIP	Ligado

#### Configurar a tensão de alimentação

A tensão de alimentação pode ser configurada com o interruptor DIP S2.

Tensão de alimentação	Interruptor DIP
	S2
230 V/50 Hz	Desligado
240 V/60 Hz	Ligado

## Configurar o modo de poupança de energia

O modo de poupança de energia pode ser configurado com os interruptores DIP S3 e S4. Assim, a bateria à qual o conversor está conectado não descarrega tão rapidamente.

O conversor passa então a funcionar no modo de poupança de energia, enquanto a potência necessária for inferior ao valor definido. Quando a potência necessária estiver acima do valor de potência definido, o conversor trabalha no modo normal.

Os valores que podem ser ajustados no conversor estão disponíveis na seguinte tabela:

Modo de poupança de energia	Interruptor DIP	
	S3	S4
Modo de poupança de energia ativado com carga < 45 W Modo normal ativado com carga > 45 W	Desligado	Desligado
Modo de poupança de energia ativado com carga < 1 W O conversor desliga automaticamente após 20 min de funcionamento no modo de poupança de energia Modo normal ativado com carga > 1 W	Ligado	Desligado
Modo de poupança de energia ativado com carga < 1 W Modo normal ativado com carga > 1 W	Desligado	Ligado
Modo de poupança de energia ativado com carga $\geq$ 45 W O conversor desliga automaticamente após 20 min de funcionamento no modo de poupança de energia Modo normal ativado com carga > 45 W	Ligado	Ligado

## Configurar o sistema de rede

Com o interruptor DIP S5, pode especificar em que sistema de rede o conversor deverá ser operado.

Parâmetros	Interruptor DIP S5
<p>Rede TN</p> <p><b>É necessário um interruptor de segurança de corrente residual</b> externo a jusante.</p>	<p>Desligado</p>
<p>Rede TI</p> <p>Operar com apenas um consumidor ou instalar um controlador de isolamento externo.</p> <p><b>Tenha em atenção as normas nacionais!</b></p>	<p>Ligado</p>

## 11 Conservar e limpar o conversor



### NOTA!

Não utilizar objectos afiados ou duros ou agentes de limpeza para a limpeza, uma vez que podem ser causados danos no produto.

- De vez em quando, limpe o aparelho com um pano húmido.

## 12 Eliminação de erros



### AVISO!

Não abra o aparelho. Corre o risco de sofrer um choque elétrico!



### OBSERVAÇÃO

Para mais informações detalhadas sobre os **dados do conversor**, entre em contacto com o fabricante (endereços, ver verso do manual).

O LED (fig. 2) apresenta o erro:

Indicação LED	Causa	Eliminação
Intermitência rápida	Tensão de entrada demasiado elevada	Verifique a tensão de entrada e reduza a mesma.
	Tensão de entrada demasiado baixa	A bateria tem de ser recarregada. Verifique os cabos e as conexões.
Luzes de 2 s, interrupção rápida	Sobrecarga térmica	Desligue o conversor e o consumidor. Aguarde aprox. 5 – 10 minutos e volte a ligar o conversor sem consumidores. Reduza a carga e assegure uma melhor ventilação do conversor. Volte a ligar o consumidor.
	Sobrecarga	Desligue o conversor e retire o consumidor. Ligue de novo o conversor sem consumidor. Se já não aparecer a indicação de sobrecarga é porque existe um curto-circuito no consumidor ou a carga total era superior à potência especificada na folha de dados. Verifique os cabos e as conexões. Arme novamente o fusível do aparelho.
Desligado	Outro erro	Contacte o serviço de assistência técnica.



## 13 Garantia

É válido o prazo de garantia legal. Se o produto estiver com defeito, por favor, dirija-se à representação do fabricante no seu país (endereços, ver verso do manual) ou ao seu revendedor.

Para fins de reparação ou de garantia, terá de enviar os seguintes documentos em conjunto:

- uma cópia da factura com a data de aquisição,
- um motivo de reclamação ou uma descrição da falha.

## 14 Eliminação



- Sempre que possível, coloque o material de embalagem no respectivo contentor de reciclagem.



Para colocar o aparelho definitivamente fora de funcionamento, por favor, informe-se junto do centro de reciclagem mais próximo ou revendedor sobre as disposições de eliminação aplicáveis.

## 15 Dados técnicos

Os seguintes dados técnicos são válidos para todos os conversores:

Tensão de saída:	230/240 V~ ± 3 %, onda sinusoidal pura (THD < 3 %)
Frequência de saída:	50/60 Hz ± 0,3 Hz
Dissipação térmica:	Temperatura e carga de funcionamento do ventilador
Temperatura ambiente de funcionamento:	-20 °C a +60 °C
Temperatura ambiente de armazenamento:	-30 °C a +70 °C
Ajuste de potência:	≥40 °C
Relé de ligação em ponte:	16 A/250 V~
Comutação em ponte com sincronização da tensão:	<20 ms
Humidade do ar:	0 – 95 %, sem condensação
Verificação/certificado:	 

	<b>DSP1312T</b>	<b>DSP1812T</b>	<b>DSP1324T</b>	<b>DSP1824T</b>
N.º art.:	9600002551	9600002553	9600002552	9600002554
Tensão nominal de entrada:	12 V $\equiv$		24 V $\equiv$	
Gama da tensão de entrada:	10 – 16,5 V $\equiv$		20 – 33 V $\equiv$	
Potência nominal:	1200 W	1800 W	1200 W	1800 W
Potência máxima por 10 min:	1300 W	1800 W	1300 W	1800 W
Potência máxima por 3 min:	1380 W	2070 W	1380 W	2070 W
Pico de corrente de saída por 2 s:	2400 W	3600 W	2400 W	3600 W
Consumo de corrente sem carga:	2,5 A	2,5 A	1,3 A	1,3 A
Consumo de corrente em standby em tensão nominal:	<0,2 A	<0,2 A	<0,1 A	<0,1 A
Eficiência:	> 89 %		> 90 %	
Ajuste de potência numa tensão de entrada entre 10,0 V e 10,5 V:	1020 W	1530 W	1020 W	1530 W
Ajuste de potência em temperaturas superiores a 40 °C:	1,75 % da potência nominal por grau acima dos 40 °C			
Dimensões L x C x A:	fig. <b>15</b>			
Peso:	4,8 kg	6,1 kg	4,8 kg	6,1 kg

	<b>DSP2312T</b>	<b>DSP3512T</b>	<b>DSP2324T</b>	<b>DSP3524T</b>
N.º art.:	9600002555	9600002557	9600002556	9600002558
Tensão nominal de entrada:	12 V $\equiv$		24 V $\equiv$	
Gama da tensão de entrada:	10 – 16,5 V $\equiv$		20 – 33 V $\equiv$	
Potência nominal:	2000 W	3000 W	2000 W	3000 W
Potência máxima por 10 min (U <sub>IN</sub> > 12,5 V):	2300 W	3500 W	2300 W	3500 W
Potência máxima por 3 min (U <sub>IN</sub> > 10,5 V):	2300 W	3500 W	2300 W	3500 W
Pico de corrente de saída por 2 s:	4000 W	6000 W	4000 W	6000 W
Consumo de corrente sem carga:	2,8 A	3,6 A	1,4 A	1,8 A
Consumo de corrente em standby em tensão nominal:	<0,2 A	<0,2 A	<0,15 A	<0,15 A
Eficiência:	> 89 %		> 90 %	
Ajuste de potência numa tensão de entrada entre 10,0 V e 10,5 V:	1700 W	2600 W	1700 W	2600 W
Ajuste de potência em temperaturas superiores a 40 °C:	1,75 % da potência nominal por grau acima dos 40 °C			
Dimensões L x C x A:	fig. <b>15</b>			
Peso:	6,6 kg	10,9 kg	6,6 kg	10,9 kg

**Dispositivos de proteção**

	12 V	24 V
Entrada:	Proteção contra subtensão e polaridade inversa (fusível interno)	
Saída AC:	Sobretensão, curto-circuito, sobrecarga	
Entrada AC:	Disjuntor 16 A	
Temperatura:	Desligamento	
Proteção contra curto-circuito:	Sim, Ipk	

**Proteção contra sobretensão**

Aparelho	Sobretensão	
	Desligamento	Reinício
DSP1312T, DSP1812T, DSP2312T, DSP3512T	16,5 V	15,5 V
DSP1324T, DSP1824T, DSP2324T, DSP3524T	33 V	31 V

**Proteção contra subtensão**

Aparelho	Subtensão	
	Desligamento	Reinício
DSP1312T, DSP1812T, DSP2312T, DSP3512T	10 V	12 V
DSP1324T, DSP1824T, DSP2324T, DSP3524T	20 V	24 V

A atual declaração de conformidade UE do seu aparelho pode ser obtida na respectiva página do produto, em [dometic.com](http://dometic.com), ou solicitada diretamente ao fabricante (ver verso).

**Prima di effettuare il montaggio e la messa in funzione leggere accuratamente questo manuale di istruzioni, conservarlo e in caso di trasmissione del prodotto, consegnarlo all'utente successivo.**

## Indice

1	Spiegazione dei simboli . . . . .	125
2	Indicazioni di sicurezza generali. . . . .	125
3	Dotazione . . . . .	129
4	Accessori . . . . .	129
5	Destinatari di queste istruzioni . . . . .	130
6	Conformità d'uso . . . . .	130
7	Descrizione tecnica. . . . .	130
8	Montaggio dell'inverter . . . . .	133
9	Collegamento dell'inverter . . . . .	135
10	Impiego dell'inverter . . . . .	138
11	Cura e pulizia dell'inverter . . . . .	141
12	Ricerca guasti . . . . .	142
13	Garanzia . . . . .	143
14	Smaltimento . . . . .	143
15	Specifiche tecniche. . . . .	144

# 1 Spiegazione dei simboli

**PERICOLO!**

**Avviso di sicurezza:** la mancata osservanza di questo avviso comporta ferite gravi anche mortali.

**AVVERTENZA!**

Avviso di sicurezza: la mancata osservanza di questo avviso può causare ferite gravi anche mortali.

**AVVISO!**

La mancata osservanza di questa nota può causare danni materiali e compromettere il funzionamento del prodotto.

**NOTA**

Informazioni integranti relative all'impiego del prodotto.

## 2 Indicazioni di sicurezza generali

### 2.1 Sicurezza generale

Il produttore non si assume nessuna responsabilità per danni nei seguenti casi:

- errori di montaggio o di allacciamento
- danni al prodotto dovuti a influenze meccaniche o a sovratensioni
- modifiche al prodotto senza esplicita autorizzazione del produttore
- impiego per altri fini rispetto a quelli descritti nel manuale di istruzioni

Durante l'uso di apparecchi elettrici attenersi alle misure di sicurezza fondamentali descritte qui di seguito per proteggersi da:

- scosse elettriche
- pericolo di incendio
- lesioni

## 2.2 Sicurezza di base



### PERICOLO!

- In caso di incendio usare un estintore per apparecchi elettrici.



### AVVERTENZA!

- Utilizzare l'apparecchio solamente per un uso conforme alla sua destinazione.
- Fare attenzione che il morsetto rosso e quello nero non entrino **mai** in contatto.
- Staccare l'apparecchio dalla rete
  - prima di effettuare la pulizia e la cura
- Se l'apparecchio viene smontato:
  - Staccare tutti i collegamenti.
  - Assicurarsi che tutte le uscite e tutti gli ingressi siano privi di tensione.
- Se il cavo di allacciamento o l'apparecchio presentano danni visibili, evitare di mettere in funzione l'apparecchio.
- Se il cavo di allacciamento di questo apparecchio viene danneggiato, esso deve essere sostituito dal produttore, da parte del suo servizio clienti, oppure da una persona sufficientemente qualificata, al fine di evitare pericoli.
- Questo apparecchio deve essere riparato solo da personale specializzato. Le riparazioni effettuate in modo scorretto possono causare rischi enormi.
- Il presente apparecchio può essere usato da bambini a partire dagli 8 anni e da utenti con ridotte capacità fisiche, sensoriali o mentali o inesperti e/o con conoscenze insufficienti, se non sono lasciati soli o se sono stati istruiti sull'utilizzo sicuro dell'apparecchio e hanno compreso i pericoli che possono insorgere.
- **Gli elettrodomestici non sono giocattoli!**  
Conservare e impiegare l'apparecchio lontano dalla portata dei bambini.
- Non lasciare soli i bambini per assicurarsi che non giochino con l'apparecchio.



### AVVISO!

- Prima della messa in funzione, confrontare i dati della tensione riportati sulla targhetta con quelli delle prese e degli attacchi disponibili.



- Assicurarsi che altri oggetti **non** causino un cortocircuito sui contatti dell'apparecchio.
- Non estrarre mai la spina dalla presa tirando il cavo di allacciamento.
- Immagazzinare l'apparecchio in un luogo asciutto e fresco.

## 2.3 Sicurezza durante il montaggio dell'apparecchio



### PERICOLO!

- Non montare l'apparecchio in zone dove sussiste il pericolo di esplosioni di gas o polveri.



### ATTENZIONE!

- Accertarsi che la base di appoggio sia sicura!  
Posizionare e fissare l'apparecchio in modo sicuro per impedire che possa rovesciarsi o cadere.



### AVVISO!

- Non esporre l'apparecchio a fonti di calore (esposizione ai raggi solari, riscaldamento e simili). Evitare che l'apparecchio si surriscaldi ulteriormente.
- Installare l'apparecchio in un posto asciutto e protetto da eventuali spruzzi d'acqua.

## 2.4 Sicurezza durante il collegamento elettrico dell'apparecchio



### PERICOLO! Pericolo di morte a causa di scossa elettrica!

- Quando si eseguono lavori agli impianti elettrici, assicurarsi che nelle vicinanze si trovi qualcuno in grado di intervenire in caso di necessità.



### AVVERTENZA!

- Accertarsi che la sezione del cavo sia sufficientemente ampia.
- Posare le linee in modo che non possano essere danneggiate se fatte passare attraverso porte o cofani del motore.  
Cavi schiacciati possono causare lesioni mortali.



### ATTENZIONE!

- Posare i cavi in modo tale che non sussista pericolo di inciampamento e che si possano escludere eventuali danni al cavo.

**AVVISO!**

- Utilizzare tubi vuoti o canaline per cavi qualora i cavi debbano passare attraverso pareti in lamiera oppure pareti con spigoli vivi.
- **Non** posare il cavo di rete da 230 V e il cavo di corrente continua da 12 V nello stesso condotto (tubo vuoto)!
- **Non** posare i cavi in modo malfermo o con forti pieghe.
- Fissare bene i cavi.
- Non tirare i cavi.

## 2.5 Sicurezza durante il funzionamento dell'apparecchio

**PERICOLO! Pericolo di morte a causa di scossa elettrica!**

- Non toccare mai i cavi nudi a mani nude.

**AVVERTENZA!**

- Utilizzare l'apparecchio esclusivamente in ambienti chiusi ben aerati.

**ATTENZIONE!**

- **Non** azionare l'apparecchio
  - in ambienti salini, umidi o bagnati,
  - in prossimità di vapori aggressivi
  - in prossimità di materiali infiammabili
  - in zone a rischio di esplosione.
- Prima della messa in funzione, assicurarsi che la linea di alimentazione e la spina siano asciutte.
- Interrompere sempre l'alimentazione elettrica qualora si operi sull'apparecchio.
- Notare che, anche dopo l'attivazione del dispositivo di protezione (fusibile), alcuni componenti dell'apparecchio possono rimanere sotto tensione.
- Non staccare nessun cavo se l'apparecchio è ancora in funzione.

**AVVISO!**

- Accertarsi che gli ingressi e le uscite dell'aria dell'apparecchio non siano coperti.
- Accertarsi che ci sia una buona aerazione.

### 3 Dotazione

Pos. in fig. <b>1</b>	Descrizione
1	Inverter a onda sinusoidale
2	Cavo di collegamento con accoppiamento Schuko (per uscita da 230 V~)
3	Cavo di collegamento con spina Schuko (per alimentazione da 230 V~)
-	Manuale di istruzioni

### 4 Accessori

Descrizione	N. art.
Controllo remoto	9600002564
Sistema di monitoraggio	9600002565

## 5 Destinatarî di queste istruzioni

Il capitolo "Collegamento dell'inverter" a pagina 135 si rivolge esclusivamente a persone specializzate e a conoscenza delle direttive VDE corrispondenti.

Tutti gli altri capitoli si rivolgono anche agli utenti dell'apparecchio.

## 6 Conformità d'uso



### AVVERTENZA!

Non montare l'inverter su veicoli nei quali il polo positivo della batteria è collegato al telaio.

Gli inverter servono a trasformare la tensione continua in una tensione alternata da 230 – 240 V di 50 Hz o 60 Hz:

- **12 V**: DSP1312T, DSP1812T, DSP2312T, DSP3512T
- **24 V**: DSP1324T, DSP1824T, DSP2324T, DSP3524T

## 7 Descrizione tecnica

Gli inverter possono essere messi in funzione laddove sia presente una presa in CC.

- **12 V**: DSP1312T, DSP1812T, DSP2312T, DSP3512T
- **24 V**: DSP1324T, DSP1824T, DSP2324T, DSP3524T

Grazie al peso ridotto e alla struttura compatta, questo apparecchio può essere montato senza problemi su camper, veicoli commerciali oppure su barche a motore o a vela.

La tensione di uscita corrisponde alla tensione domestica della presa di corrente (tensione sinusoidale pura, coefficiente distorsione armonica <3 %).

Osservare i valori della potenza di uscita continua e della potenza di uscita di picco, così come sono riportati nel capitolo "Specifiche tecniche" a pagina 144. I dispositivi con requisiti di potenza più elevati non devono essere collegati.



### NOTA

In caso di collegamento di dispositivi con azionamento elettrico (ad es. trapani, frigoriferi, ecc.) tenere presente che, in fase di avvio, questi spesso necessitano di una potenza maggiore rispetto a quella riportata sulla targhetta.

L'inverter è dotato di diversi meccanismi di protezione:

- **Protezione da sovratensione:** l'inverter si spegne quando il valore di tensione supera il valore di disinserimento. Si avvia di nuovo quando la tensione scende fino al valore di riavvio.
- **Protezione da sottotensione:** l'inverter si spegne quando il valore di tensione scende sotto il valore di disinserimento. Si avvia di nuovo quando la tensione sale fino al valore di riavvio.
- **Protezione da sovratemperatura:** l'inverter si spegne quando la temperatura all'interno dell'apparecchio o la temperatura del raffreddatore superano un valore di disinserimento. Si avvia di nuovo quando la temperatura sale fino al valore di riavvio.
- **Protezione da sovraccarico e protezione da cortocircuito:** il LED sull'inverter segnala un disturbo di funzionamento se il carico collegato è eccessivo oppure se si è verificato un cortocircuito. Il fusibile dell'apparecchio, dopo essere saltato a causa di sovracorrente, deve essere reinserito manualmente.

**NOTA**

I singoli valori di commutazione sono riportati nel capitolo "Specifiche tecniche" a pagina 144.

L'inverter può funzionare con i seguenti tipi di rete:

- **Rete TN:**  
il conduttore neutro dell'inverter è collegato con la massa. A valle deve essere installato un interruttore differenziale di protezione.
- **Rete IT:**  
entrambe le fasi sono isolate. Questa configurazione è adatta per il funzionamento di un'utenza. Se si collega più di un'utenza, è necessario progettare un concetto di protezione (ad es., un sorvegliatore d'isolamento).

Il tipo di rete viene configurato tramite un interruttore di regolazione sull'apparecchio.

Gli inverter DSP13xxT, DSP18xxT, DSP23xxT sono dotati di un cavo di collegamento con presa e spina montati in modo fisso sul dispositivo. L'inverter DSP35xxT viene collegato direttamente ai morsetti tramite pressacavi.

La sincronizzazione tra le fasi consente all'inverter di adattarsi alla posizione della fase della tensione di ingresso in CA. In tal modo si impediscono i picchi di tensione nel commutare dalla tensione della batteria a quella di rete.

L'inverter si presta all'esercizio di utenze sensibili poiché la tensione di uscita è un'onda sinusoidale pura.

L'inverter è dotato di un circuito di priorità. In presenza di una tensione esterna di 230 V~, questa viene utilizzata in modo prioritario. Se non è presente alcuna tensione esterna di 230 V~, per la tensione di alimentazione viene utilizzata la batteria collegata.

L'inverter può essere commutato sulla modalità a basso consumo energetico per non far scaricare troppo la batteria alla quale è collegato.

L'inverter può essere acceso e spento con un controllo remoto (**accessorio**).

L'inverter può essere, in via aggiuntiva, controllato mediante un sistema di monitoraggio (**accessorio**).

## 7.1 Elementi di comando

Pos. in fig. <b>2</b>	Descrizione	Descrizione
1	Interruttore principale	<p><b>O</b>: Spegne il dispositivo in modo permanente</p> <p><b>I</b>: Accende il dispositivo in modo permanente</p> <p><b>II</b>: È possibile accendere e spegnere il dispositivo tramite un controllo remoto (<b>accessorio</b>)</p>
2	LED di stato	Vedi capitolo "Spie di funzionamento" a pagina 138
3	Fusibile	Protegge l'inverter da sovraccarico. Il fusibile, dopo essere saltato, può essere reinserito.
4	Interruttore di regolazione	<p>Consente di effettuare regolazioni sull'inverter</p> <p>Vedi capitolo "Impostazione dell'inverter" a pagina 139</p>

## 7.2 Collegamenti



### NOTA

Nella figura è rappresentata la versione per l'Europa continentale.

Pos. in fig. <b>2</b>	Descrizione
5	Ingresso a 230 V~ ( <b>DSP 35xxT</b> : pressacavi)
6	Uscita a 230 V~ ( <b>DSP 35xxT</b> : pressacavi)
7	Morsetto di massa (messa a terra nella carrozzeria del veicolo)
8	Morsetto positivo
9	Morsetto negativo
10	Collegamenti CI/LIN-BUS (LINA)
11	Collegamento per controllo remoto (LINB)
12	Collegamento per interruttore a distanza
13	Ventola (lato posteriore)

## 8 Montaggio dell'inverter



### NOTA

Prima di montare l'inverter si raccomanda di montare tutti i cavi per rendere liberamente accessibili tutti i collegamenti.

### 8.1 Attrezzi necessari

Per il **collegamento elettrico** sono necessari i seguenti strumenti:

- Pinza crimpatrice
- 3 cavi di collegamento flessibili in diversi colori. La sezione richiesta è riportata nella tabella al capitolo "Collegamento dell'inverter" a pagina 135.
- Capicorda

Per il **fissaggio** dell'inverter sono necessari i seguenti strumenti di montaggio:

- Bulloni per macchine (M4) con rondelle e dadi autoserranti oppure
- Viti per lamiera o per legno.

## 8.2 Indicazioni per il montaggio

Per la scelta del luogo di montaggio fare attenzione alle seguenti indicazioni:

- L'inverter può essere montato orizzontalmente o verticalmente.
- L'inverter deve essere montato in un punto protetto da umidità.
- Non montare l'inverter in ambienti in cui sono presenti materiali infiammabili.
- Non montare l'inverter in ambienti polverosi.
- Il luogo di montaggio deve essere sufficientemente aerato. Se le installazioni vengono eseguite in locali piccoli e chiusi, deve essere presente un sistema di aerazione e disaerazione. La distanza libera minima intorno all'inverter deve essere di 5 cm (fig. **3**).
- Le aperture di ventilazione sul lato anteriore e posteriore dell'inverter devono restare libere.
- Con valori della temperatura ambiente superiori a 40 °C (ad. es. in vani motore o di riscaldamento, esposizione diretta all'irraggiamento solare), è possibile che l'inverter si disattivi malgrado la potenza delle utenze collegate sia inferiore al carico nominale (derating).
- La superficie di montaggio deve essere piana e sufficientemente stabile.



### AVVISO!

Prima di effettuare qualsiasi tipo di foro, assicurarsi che nessun cavo elettrico o altri componenti del veicolo vengano danneggiati durante l'uso di trapani, seghe e lime.

## 8.3 Montaggio dell'inverter

- Montare l'inverter secondo le modalità mostrate (fig. **4**).



## 9 Collegamento dell'inverter

### 9.1 Indicazioni generali



#### AVVERTENZA!

- Il collegamento dell'inverter deve essere eseguito esclusivamente da tecnici qualificati e specializzati. Le seguenti informazioni si rivolgono a personale specializzato a conoscenza delle direttive e delle disposizioni di sicurezza da adottare.
- L'inverter **non** deve essere utilizzato su veicoli nei quali il polo positivo della batteria è collegato al telaio.
- Se non si inserisce alcun fusibile nel **cavo positivo** della batteria, i cavi di alimentazione possono sovraccaricarsi e causare un incendio.

- Se l'inverter viene installato su veicoli o barche, è necessario che venga collegato al telaio o alla massa.
- Durante il montaggio di un circuito di distribuzione prese (installazione della rete) attenersi alla normativa VDE 0100.
- Utilizzare esclusivamente cavi in rame.
- Contenere il più possibile la lunghezza dei cavi (< 1 m).
- Utilizzare un cavo con sezione minima di 4 mm<sup>2</sup> per la messa a terra.
- Rispettare la sezione del cavo richiesta e inserire nel conduttore positivo una sicurezza per cavi (fig. **6** 1) il più vicino possibile alla batteria (vedi tabella).

Apparecchio	Sezione del cavo necessaria	Fusibile per cavi
DSP1312T	35 mm <sup>2</sup>	200 A
DSP1324T	25 mm <sup>2</sup>	150 A
DSP1812T	50 mm <sup>2</sup>	250 A
DSP1824T	25 mm <sup>2</sup>	150 A
DSP2312T	70 mm <sup>2</sup>	300 A
DSP2324T	35 mm <sup>2</sup>	200 A
DSP3512T	2 x 50 mm <sup>2</sup>	2 x 250 A
DSP3524T	50 mm <sup>2</sup>	250 A

## 9.2 Collegamento dell'inverter



### AVVERTENZA!

Prima di collegare il cavo di uscita a corrente alternata, assicurarsi che l'inverter sia stato spento con l'interruttore principale.



### AVVISO!

Fare attenzione a non invertire la polarità. L'inversione di polarità può danneggiare l'inverter.



### NOTA

Serrare le viti o i dadi con una coppia di max 15 Nm. Collegamenti allentati possono provocare surriscaldamenti.

- Collegare l'inverter secondo le modalità mostrate:
  - Collegare la batteria: fig. **5** e fig. **6**
  - Collegare il morsetto di massa: fig. **7**
  - Collegare il cavo di alimentazione da 230 V: fig. **8** (INPUT)
  - Collegare il cavo di uscita da 230 V: fig. **8** (OUTPUT)

## 9.3 Collegamento di più utenze

Allo stato di consegna, l'apparecchio è dotato di separazione galvanica. Per far funzionare in modo sicuro più di un'utenza è indispensabile che nel circuito di distribuzione prese sia integrato un interruttore di protezione (interruttore differenziale).

- Integrare un interruttore differenziale nel circuito di distribuzione prese.

## 9.4 Collegamento del controllo remoto (accessorio)



### AVVISO!

Inserire il collegamento per il controllo remoto soltanto nella porta Remote. Un collegamento errato può danneggiare l'apparecchio.

- Collegare il controllo remoto secondo le modalità mostrate (fig. **9**).

## 9.5 Collegamento dell'interruttore esterno per accensione e spegnimento



### NOTA

Utilizzare cavi con una sezione del cavo di 0,25 – 0,75 mm<sup>2</sup>.

Come interruttore esterno potete utilizzare:

- Interruttore esterno, alimentazione di tensione dall'inverter: fig. **10** A
  - Centralina con commutazione a relè o a transistor (TR): fig. **10** B
  - Interruttore esterno con alimentazione di tensione mediante la batteria (BAT) del veicolo: fig. **10** C
  - Interruttore esterno con alimentazione di tensione autonoma (DC POWER), ad es. dell'accensione: fig. **10** D
- Posizionare l'interruttore principale (fig. **2** 1) su "OFF".
- Accertarsi che il collegamento per il controllo remoto (fig. **2** 11) non sia occupato.
- Posizionare l'interruttore principale (fig. **2** 1) su "REMO".
- Collegare l'interruttore On/Off esterno al morsetto (fig. **2** 12) mediante il cavo di collegamento.

## 9.6 Collegamento del relè

È possibile collegare un relè che indichi se è collegato l'ingresso a 230 V. È possibile realizzare un immobilizzatore per impedire che il veicolo parta se è collegato l'ingresso a 230 V.

- Collegare il relè nel seguente modo (fig. **11**):
- NO (Normally Open): contatto di lavoro
  - COM (Common): contatto di commutazione
  - NC (Normally Closed): contatto di riposo

Specifiche per il relè:

Tensione massima	Carico	Corrente assorbita	
		NO	NC
250 V~	Ohmico	0,5 A	0,5 A
12 V/24 V=	Ohmico	1 A	1 A

## 10 Impiego dell'inverter

### 10.1 Accensione dell'inverter

- ▶ Posizionare l'interruttore principale (fig. **2** 1) dell'inverter nel modo seguente:
  - "0": per spegnere l'inverter in modo permanente
  - "I": per accendere l'inverter in modo permanente
  - "II": per poter accendere e spegnere l'inverter tramite un controllo remoto (**accessorio**)
- ▶ L'inverter all'accensione esegue un test di autodiagnosi.
- ✓ Dopo che l'autotest si è concluso positivamente, il LED lampeggia con colore blu (fig. **2** 2).

### 10.2 Spie di funzionamento

Il LED blu (fig. **2** 2) indica lo stato di esercizio dell'inverter.

Visualizzazione	Tensione di ingresso
Luce fissa	Funzionamento normale
Lampeggi lunghi, interruzione breve	Inverter surriscaldato/sovraccarico
Lampeggi veloci	Sovratensione/sottotensione
Lampeggi brevi, interruzioni lunghe	Il sorvegliatore di isolamento ha spento l'inverter
Spento	Altri errori

L'inverter si spegne quando

- la tensione della batteria scende sotto il valore di 10 V (collegamento da 12 V $\Rightarrow$ ) o sotto il valore di 20 V (collegamento da 24 V $\Rightarrow$ );
- la tensione della batteria sale sopra il valore di 16,5 V (collegamento da 12 V $\Rightarrow$ ) o sopra il valore di 33 V (collegamento da 24 V $\Rightarrow$ ).
- l'inverter è soggetto a sovraccarico.
- l'inverter è surriscaldato.

- In questo caso spegnere l'inverter con l'interruttore principale (fig. **2** 1).
- Controllare che l'inverter venga sufficientemente areato e che le aperture della ventola e le feritoie di aerazione siano libere.
- Attendere ca. 5 – 10 min e riaccendere l'inverter senza utenze.

### 10.3 Impostazione della modalità a basso consumo energetico



#### NOTA

La modalità a basso consumo energetico può essere acceso e spento tramite un controllo remoto.

### 10.4 Impostazione dell'inverter

È possibile adattare il dispositivo utilizzando l'interruttore di regolazione (fig. **2** 4).

#### Definizione delle impostazioni

Con l'interruttore di regolazione S1 si può stabilire se l'impostazione dei parametri deve avvenire mediante il collegamento di un pannello di comando compatibile con CI-BUS oppure mediante gli interruttori di regolazione.

Parametro	Interruttore di regolazione	
	S1	
Collegamento per controllo remoto	Off	
Interruttore di regolazione	On	

#### Impostazione della tensione di rete

È possibile impostare la frequenza di rete con l'interruttore di regolazione S2.

Tensione di rete	Interruttore di regolazione	
	S2	
230 V/50 Hz	Off	
240 V/60 Hz	On	

## Impostazione della modalità a basso consumo energetico

È possibile impostare la modalità a basso consumo energetico con gli interruttori di regolazione S3 e S4. In questo modo la batteria alla quale è collegato l'inverter non si scarica così velocemente.

L'inverter opera quindi nella modalità a basso consumo energetico fino a quando la potenza richiesta non è inferiore al valore impostato. Quando la potenza richiesta è superiore al valore di potenza impostato, l'inverter opera nella modalità di funzionamento normale.

Per i valori da impostare sull'inverter fare riferimento alla seguente tabella:

<b>Modalità a basso consumo energetico</b>	<b>Interruttore di regolazione</b>	
	<b>S3</b>	<b>S4</b>
Modalità a basso consumo energetico attivata se il carico < 45 W Modalità normale attivata se il carico < 45 W	Spento	Spento
Modalità a basso consumo energetico attivata se il carico < 1 W L'inverter si disattiva in modo automatico dopo 20 min di esercizio in modalità a basso consumo energetico Modalità normale attivata se il carico < 1 W	Acceso	Spento
Modalità a basso consumo energetico attivata se il carico < 1 W Modalità normale attivata se il carico < 1 W	Spento	Acceso
Modalità a basso consumo energetico attivata se il carico $\geq$ 45 W L'inverter si disattiva in modo automatico dopo 20 min di esercizio in modalità a basso consumo energetico Modalità normale attivata se il carico < 45 W	Acceso	Acceso

## Impostazione del tipo di rete

L'interruttore di regolazione S5 consente di stabilire il tipo di rete con cui far funzionare l'inverter.

Parametro	Interruttore di regolazione S5
Rete TN È <b>necessario un interruttore differenziale di protezione</b> esterno a valle.	Spento
Rete IT Esercizio con una sola utenza o installazione di un sorvegliatore d'isolamento. <b>Osservare le norme nazionali!</b>	Acceso

## 11 Cura e pulizia dell'inverter



### AVVISO!

Per la pulizia non impiegare oggetti ruvidi o appuntiti, oppure detersivi perché potrebbero danneggiare il prodotto.

- Pulire il prodotto di tanto in tanto con un panno umido.

## 12 Ricerca guasti



### AVVERTENZA!

Non aprire l'apparecchio. Pericolo di scosse elettriche!



### NOTA

In caso di domande specifiche sui **dati dell'inverter**, rivolgersi al produttore (l'indirizzo si trova sul retro del manuale di istruzioni).

Il LED (fig. 2 2) indica l'errore:

Indicazione LED	Causa	Soluzione
Lampeggi veloci	Tensione di ingresso eccessiva	Controllare la tensione di ingresso e ridurla.
	Tensione di ingresso troppo bassa	La batteria deve essere ricaricata. Controllare i cavi e i collegamenti.
Lampeggiamento di 2 sec., breve interruzione	Sovraccarico termico	Spegnere l'inverter e l'utenza. Attendere ca. 5 – 10 min. e riaccendere l'inverter senza utenza. Ridurre il carico e provvedere ad una migliore aerazione dell'inverter. A questo punto riaccendere l'utenza.
	Carico eccessivo	Spegnere l'inverter e rimuovere l'utenza. A questo punto riaccendere l'inverter senza utenza. Se adesso non viene più segnalata una sollecitazione eccessiva, in tal caso significa che si è verificato un cortocircuito nell'utenza oppure che la sollecitazione totale è maggiore della potenza specificata nella scheda tecnica. Controllare i cavi e i collegamenti. Ripremere il fusibile del dispositivo.
Spento	Altri errori	Rivolgersi al Servizio Assistenza Clienti.



## 13 Garanzia

Vale il termine di garanzia previsto dalla legge. Qualora il prodotto risultasse difettoso, La preghiamo di rivolgersi alla filiale del produttore del suo Paese (l'indirizzo si trova sul retro del manuale di istruzioni), oppure al rivenditore specializzato di riferimento.

Per la riparazione e per il disbrigo delle condizioni di garanzia è necessario inviare la seguente documentazione:

- una copia della fattura con la data di acquisto del prodotto,
- un motivo su cui fondare il reclamo, oppure una descrizione del guasto.

## 14 Smaltimento



- Raccogliere il materiale di imballaggio possibilmente negli appositi contenitori di riciclaggio.



Quando il prodotto viene messo fuori servizio definitivamente, informarsi al centro di riciclaggio più vicino, oppure presso il proprio rivenditore specializzato, sulle prescrizioni adeguate concernenti lo smaltimento.

## 15 Specifiche tecniche

Le seguenti specifiche tecniche sono valide per tutti gli inverter:

Tensione di uscita:	230/240 V~ ± 3 %, onda sinusoidale pura (coefficiente distorsione armonica <3 %)
Frequenza di uscita:	50/60 Hz ± 0,3 Hz
Asportazione di calore:	ventola a temperatura e carico controllati
Temperatura ambiente per funzionamento:	da -20 °C a +60 °C
Temperatura ambiente per stoccaggio:	da -30 °C a +70 °C
Regolazione della potenza:	≥40 °C
Relè di bypass:	16 A/250 V~
Commutazione di ponticellamento con sincronizzazione della tensione:	<20 ms
Umidità dell'aria:	0 – 95 %, non condensante
Certificazione/certificati:	 

	<b>DSP1312T</b>	<b>DSP1812T</b>	<b>DSP1324T</b>	<b>DSP1824T</b>
N. art:	9600002551	9600002553	9600002552	9600002554
Tensione nominale di ingresso:	12 V $\overline{=}$		24 V $\overline{=}$	
Campo di tensione di ingresso:	10 – 16,5 V $\overline{=}$		20 – 33 V $\overline{=}$	
Potenza nominale:	1200 W	1800 W	1200 W	1800 W
Potenza massima per 10 min:	1300 W	1800 W	1300 W	1800 W
Potenza massima per 3 min:	1380 W	2070 W	1380 W	2070 W
Potenza di picco per 2 s:	2400 W	3600 W	2400 W	3600 W
Assorbimento di corrente a vuoto:	2,5 A	2,5 A	1,3 A	1,3 A
Corrente assorbita in standby a tensione nominale:	<0,2 A	<0,2 A	<0,1 A	<0,1 A
Efficienza:	>89 %		>90 %	
Adattamento di potenza con una tensione d'ingresso compresa tra 10,0 V e 10,5 V:	1020 W	1530 W	1020 W	1530 W
Adattamento di potenza con temperature superiori a 40 °C:	1,75 % della potenza nominale per ogni grado superiore a 40 °C			
Dimensioni L x P x A:	fig. <b>15</b>			
Peso:	4,8 kg	6,1 kg	4,8 kg	6,1 kg

	<b>DSP2312T</b>	<b>DSP3512T</b>	<b>DSP2324T</b>	<b>DSP3524T</b>
N. art:	9600002555	9600002557	9600002556	9600002558
Tensione nominale di ingresso:	12 V $\overline{=}$		24 V $\overline{=}$	
Campo di tensione di ingresso:	10 – 16,5 V $\overline{=}$		20 – 33 V $\overline{=}$	
Potenza nominale:	2000 W	3000 W	2000 W	3000 W
Massima potenza per 10 min ( $U_{IN} > 12,5$ V):	2300 W	3500 W	2300 W	3500 W
Massima potenza per 3 min ( $U_{IN} > 10,5$ V):	2300 W	3500 W	2300 W	3500 W
Potenza di picco per 2 s:	4000 W	6000 W	4000 W	6000 W
Assorbimento di corrente a vuoto:	2,8 A	3,6 A	1,4 A	1,8 A
Corrente assorbita in standby a tensione nominale:	<0,2 A	<0,2 A	<0,15 A	<0,15 A
Efficienza:	>89 %		>90 %	
Adattamento di potenza con una tensione d'ingresso compresa tra 10,0 V e 10,5 V:	1700 W	2600 W	1700 W	2600 W
Adattamento di potenza con temperature superiori a 40 °C:	1,75 % della potenza nominale per ogni grado superiore a 40 °C			
Dimensioni L x P x A:	fig. <b>15</b>			
Peso:	6,6 kg	10,9 kg	6,6 kg	10,9 kg

**Dispositivi di protezione**

	<b>12 V</b>	<b>24 V</b>
Ingresso:	Sottotensione, protezione contro l'inversione della polarità (fusibile interno)	
Uscita CA:	Sovratensione, cortocircuito, sovraccarico	
Ingresso CA:	Interruttore di protezione da 16 A	
Temperatura:	Spegnimento	
Protezione da cortocircuito:	Sì, Ipk	

**Protezione da sovratensione**

<b>Dispositivo</b>	<b>Sovratensione</b>	
	<b>Spegnimento</b>	<b>Riavvio</b>
DSP1312T, DSP1812T, DSP2312T, DSP3512T	16,5 V	15,5 V
DSP1324T, DSP1824T, DSP2324T, DSP3524T	33 V	31 V

**Protezione da sottotensione**

<b>Dispositivo</b>	<b>Sottotensione</b>	
	<b>Spegnimento</b>	<b>Riavvio</b>
DSP1312T, DSP1812T, DSP2312T, DSP3512T	10 V	12 V
DSP1324T, DSP1824T, DSP2324T, DSP3524T	20 V	24 V

L'attuale dichiarazione di conformità UE per il proprio apparecchio è disponibile sulla relativa pagina del prodotto al sito [dometic.com](http://dometic.com) o direttamente tramite il produttore (vedi retro).

**Lees deze handleiding voor de montage en de ingebruikname zorgvuldig door en bewaar hem. Geef de handleiding bij het doorgeven van het product aan de gebruiker.**

## Inhoudsopgave

1	Verklaring van de symbolen . . . . .	149
2	Algemene veiligheidsinstructies . . . . .	149
3	Omvang van de levering . . . . .	153
4	Toebehoren. . . . .	153
5	Doelgroep van deze handleiding . . . . .	154
6	Reglementair gebruik . . . . .	154
7	Technische beschrijving . . . . .	154
8	Omvormer monteren . . . . .	157
9	Omvormer aansluiten . . . . .	159
10	Omvormer gebruiken . . . . .	162
11	Omvormer onderhouden en reinigen . . . . .	165
12	Verhelpen van storingen. . . . .	166
13	Garantie . . . . .	167
14	Afvoer . . . . .	167
15	Technische gegevens. . . . .	167

# 1 Verklaring van de symbolen

**GEVAAR!**

**Veiligheidsaanwijzing:** Het niet naleven leidt tot overlijden of ernstig letsel.

**WAARSCHUWING!**

**Veiligheidsaanwijzing:** Het niet naleven kan leiden tot overlijden of ernstig letsel.

**LET OP!**

Het niet naleven ervan kan leiden tot materiële schade en de werking van het product beperken.

**INSTRUCTIE**

Aanvullende informatie voor het bedienen van het product.

## 2 Algemene veiligheidsinstructies

### 2.1 Algemene veiligheid

De fabrikant kan in de volgende gevallen niet aansprakelijk worden gesteld voor schade:

- montage- of aansluitfouten
- beschadiging van het product door mechanische invloeden en overspanningen
- veranderingen aan het product zonder uitdrukkelijke toestemming van de fabrikant
- gebruik voor andere dan de in de handleiding beschreven toepassingen

Neem de volgende essentiële veiligheidsmaatregelen in acht bij het gebruik van elektrische toestellen, ter bescherming tegen:

- elektrische schokken
- brandgevaar
- verwondingen

## 2.2 Essentiële veiligheid



### GEVAAR!

- Gebruik in het geval van brand een brandblusser die geschikt is voor elektrische toestellen.



### WAARSCHUWING!

- Gebruik het toestel alleen volgens de voorschriften.
- Let erop dat de rode en zwarte klem elkaar **nooit** raken.
- Koppel het toestel los van het elektriciteitsnet
  - voor iedere reiniging en ieder onderhoud
- Als u het toestel demonteert:
  - Maak alle verbindingen los.
  - Zorg ervoor dat alle in- en uitgangen spanningsvrij zijn.
- Als het toestel of de aansluitkabel zichtbaar beschadigd zijn, mag u het toestel niet in gebruik nemen.
- Als de aansluitkabel van dit toestel wordt beschadigd, moet deze, om gevaren te vermijden, door de fabrikant, de betreffende klantenservice of een gelijkwaardig gekwalificeerde persoon vervangen worden.
- Reparaties aan dit toestel mogen uitsluitend door vakmonteurs uitgevoerd worden. Door ondeskundige reparaties kunnen grote gevaren ontstaan.
- Dit toestel kan door kinderen vanaf 8 jaar en ouder evenals door personen met verminderde fysieke, zintuiglijke of geestelijke vermogens of tekortschietende ervaring en/of kennis gebruikt worden, als ze worden begeleid of hun is uitgelegd hoe ze het toestel veilig kunnen gebruiken. Ook dienen ze inzicht te hebben in de gevaren die het gebruik van het toestel met zich meebrengt.
- **Elektrische toestellen zijn geen speelgoed!**  
Bewaar en gebruik het toestel buiten het bereik van kinderen.
- Er moet toezicht worden gehouden op kinderen, zodat ze niet met het toestel gaan spelen.



### LET OP!

- Vergelijk voor de ingebruikneming de spanning op het typeplaatje met de aanwezige energievoorziening.
- Let erop dat andere voorwerpen **geen** kortsluiting bij de contacten van het toestel veroorzaken.
- Trek de stekker nooit aan de aansluitkabel uit het stopcontact.



- Bewaar het toestel op een droge en koele plaats.

## 2.3 Veiligheid bij de montage van het toestel



### GEVAAR!

- Monteer het toestel niet op plaatsen waar gevaar voor gas- of stofexplosie bestaat.



### VOORZICHTIG!

- Let op een stabiele stand!  
Het toestel moet zo veilig opgesteld en bevestigd worden, dat het niet kan omvallen of naar beneden kan vallen.



### LET OP!

- Stel het toestel niet bloot aan een warmtebron (zonnestraling, verwarming enz.). Vermijd zo een extra opwarming van het toestel.
- Stel het toestel op een droge en tegen spatwater beschermde plaats op.

## 2.4 Veiligheid bij de elektrische aansluiting van het toestel



### GEVAAR! Levensgevaar door stroomschok!

- Als u aan elektrische installaties werkt, zorg er dan voor dat er iemand in de buurt is die u in geval van nood kan helpen.



### WAARSCHUWING!

- Zorg voor een voldoende grote leidingdoorsnede.
- Leg de leidingen zo aan, dat ze niet door deuren of motorkappen beschadigd kunnen raken.  
Geplette kabels kunnen tot levensgevaarlijke verwondingen leiden.



### VOORZICHTIG!

- Installeer de leidingen zodanig dat er niet over gestruikeld kan worden en beschadiging van de kabel uitgesloten is.



### LET OP!

- Gebruik holle buizen of leidingdoorvoeren, als leidingen door plaatwanden of andere wanden met scherpe randen geleid moeten worden.

- Plaats het 230-V-netsnoer en de 12-V-gelijkstroomleiding **niet** in dezelfde kabelgoot (holle buis).
- Leg de leidingen **niet** los of scherp geknikt.
- Bevestig de leidingen goed.
- Trek niet aan leidingen.

## 2.5 Veiligheid bij het gebruik van het toestel



### **GEVAAR! Levensgevaar door stroomschok!**

- Blanke leidingen nooit met blote handen aanraken.



### **WAARSCHUWING!**

- Gebruik het toestel uitsluitend in gesloten, goed geventileerde ruimtes.



### **VOORZICHTIG!**


- Gebruik het toestel **niet**
  - in een zouthoudende, vochtige of natte omgeving
  - in de buurt van agressieve dampen
  - in de buurt van brandbare materialen
  - in explosieve omgevingen
- Let er voor de ingebruikneming op dat de toevoerleiding en de stekker droog zijn.
- Onderbreek bij werkzaamheden aan het toestel altijd de stroomtoevoer.
- Let erop dat ook na het activeren van de veiligheidsinrichting (zekering) delen van het toestel onder spanning kunnen blijven staan.
- Maak geen kabels los als het toestel nog in gebruik is.



### **LET OP!**

- Let erop dat de luchtinlaat- en uitlaatopeningen van het toestel niet worden afgedekt.
- Let op een goede ventilatie.

### 3 Omvang van de levering

Pos. in afb. 	Omschrijving
1	Sinusomvormer
2	Aansluitkabel met geaarde koppeling (voor 230-V~ -uitgang)
3	Aansluitkabel met geaarde stekker (voor 230-V~ -voeding)
-	Bedieningshandleiding

### 4 Toebehoren

Omschrijving	Artikelnr.
Afstandsbediening	9600002564
Energiemonitor	9600002565

## 5 Doelgroep van deze handleiding

De hoofdstuk „Omvormer aansluiten” op pagina 159 is uitsluitend gericht op vak-kundige personen die met de betreffende VDE-richtlijnen vertrouwd zijn.

Alle overige hoofdstukken zijn ook bedoeld voor de gebruikers van het toestel.

## 6 Reglementair gebruik



### WAARSCHUWING!

De omvormer mag niet worden gebruikt in voertuigen waarbij de plus-pool van de accu met het chassis is verbonden.

De omvormers worden gebruikt om gelijkspanning om te zetten in een wisselspanning van 230 - 240 V van 50 Hz of 60 Hz:

- **12 V $\overline{=}$** : DSP1312T, DSP1812T, DSP2312T, DSP3512T
- **24 V $\overline{=}$** : DSP1324T, DSP1824T, DSP2324T, DSP3524T

## 7 Technische beschrijving

De omvormers kunnen overal gebruikt worden waar een DC-aansluiting voorhan-den is.

- **12 V $\overline{=}$** : DSP1312T, DSP1812T, DSP2312T, DSP3512T
- **24 V $\overline{=}$** : DSP1324T, DSP1824T, DSP2324T, DSP3524T

Door het geringe gewicht en de compacte constructie kan dit toestel zonder proble-men in campers, bedrijfsvoertuigen of motor- en zeilboten worden ingebouwd.

De uitgangsspanning komt overeen met de huishoudspanning uit het stopcontact (zuivere sinusspanning, vervorming <3 %).

Neem de waarden voor continu uitgangsvermogen en piekuitgangsvermogen in acht, zoals ze in hoofdstuk „Technische gegevens” op pagina 167 zijn aangegeven. Toestellen met een hogere vermogensbehoefte mogen niet worden aangesloten.



### INSTRUCTIE

Houd er bij de aansluiting van toestellen met elektrische aandrijving (bijv. boormachine, koelkast, e.d.) rekening mee dat die voor het opstarten vaak een hoger vermogen nodig hebben dan is aangegeven op het typeplaatje.

De omvormer beschikt over verschillende beveiligingen:

- **Overspanningsbeveiliging:** De omvormer schakelt uit, als de spanningswaarde boven de uitschakelwaarde stijgt. Hij start weer, als de spanning tot de herstartwaarde daalt.
- **Onderspanningsbeveiliging:** De omvormer schakelt uit, als de spanningswaarde onder de uitschakelwaarde daalt. Hij start weer, als de spanning tot de herstartwaarde stijgt.
- **Oververhittingsbeveiliging:** De omvormer schakelt uit, als de temperatuur binnen in het toestel of de temperatuur bij de koelplaat hoger is dan een uitschakelwaarde. Hij start weer, als de spanning tot de herstartwaarde stijgt.
- **Overbelastingsbeveiliging en beveiliging tegen kortsluiting:** De led op de omvormer meldt een bedrijfsstoring, als er een te grote last is aangesloten of een kortsluiting werd veroorzaakt. De toestelzekerings moet, nadat die bij overstroom is uitgevallen, handmatig weer worden ingedrukt.



#### INSTRUCTIE

De afzonderlijke schakelwaarden vindt u in hoofdstuk „Technische gegevens“ op pagina 167.

De omvormer kan in de volgende netvormen worden gebruikt:

- **TN-net:**  
De nulleider van de omvormer is met massa verbonden. Een nageschakelde aardlekschakelaar moet geïnstalleerd zijn.
- **IT-net:**  
Beide fasen zijn geïsoleerd. Dit is geschikt voor gebruik van een verbruiker. Als meerdere verbruikers worden aangesloten, moet een veiligheidsconcept worden ontworpen (bijvoorbeeld isolatieschakelaar).

De netvorm wordt via een DIP-schakelaar op het toestel geconfigureerd.

De omvormers DSP13xxT, DSP18xxT, DSP23xxT beschikken over een aansluitkabel met stopcontact en stekker die vast aan het toestel zijn gemonteerd. De omvormer DSP35xxT wordt via PG-schroefverbindingen direct op de aansluitklemmen aangesloten.

Door de fasesynchronisatie past de omvormer zich aan de fasepositie van de AC-ingangsspanning aan. Daardoor worden spanningspieken bij het omschakelen van accu- op netspanning verhindert.

De omvormer is geschikt voor het gebruik van gevoelige verbruikers omdat de uitgangsspanning een zuivere sinusgolf is.

De omvormer is met een prioriteitsschakeling uitgerust. Als er een externe 230-V~ -spanning aanwezig is, dan wordt deze bij voorrang gebruikt. Is er geen externe 230-V~ -spanning aanwezig, dan wordt voor de spanningsvoorziening de aangesloten accu gebruikt.

De omvormer kan in een energiebesparende modus worden geschakeld, zodat de aangesloten accu niet te snel ontladtd.

Met een afstandsbediening (**toebehoren**) kan de omvormer worden in- en uitgeschakeld.

Bijkomend kan de omvormer met een energiemonitor (**toebehoren**) worden gestuurd.

## 7.1 Bedieningselementen

Pos. in afb. <b>2</b>	Omschrijving	Beschrijving
1	Hoofdschakelaar	<b>0</b> : Schakelt het toestel permanent uit <b>I</b> : Schakelt het toestel permanent in <b>II</b> : Het toestel kan via een afstandsbediening ( <b>toebehoren</b> ) worden in- en uitgeschakeld
2	Status-led	Zie hoofdstuk „Bedrijfsindicaties” op pagina 162
3	Zekering	Beveiligt de omvormer tegen overbelasting. De zekering kan weer worden ingedrukt, nadat deze is uitgevallen.
4	DIP-schakelaar	Voert instellingen aan de omvormer uit Zie hoofdstuk „Omvormer instellen” op pagina 163

## 7.2 Aansluitingen



### INSTRUCTIE

Afgebeeld is de versie voor Continentaal Europa.

Pos. in afb. <b>2</b>	Beschrijving
5	230 V~ -ingang ( <b>DSP 35xxT</b> : PG-schroefverbinding)
6	230 V~ -uitgang ( <b>DSP 35xxT</b> : PG-schroefverbinding)
7	Massaklem (aarding aan de carrosserie van het voertuig)
8	Plus-klem
9	Min-klem
10	CI/LIN-BUS-aansluitingen (LINA)
11	Aansluiting voor afstandsbediening (LINB)
12	Aansluiting voor afstandsschakelaar
13	Ventilator (achterkant)

## 8 Omvormer monteren



### INSTRUCTIE

Voor u de omvormer monteert, moet u alle kabels aansluiten omdat zo alle aansluitingen ongehinderd toegankelijk zijn.

### 8.1 Benodigd gereedschap

Voor de **elektrische aansluiting** heeft u de volgende hulpmiddelen nodig:

- Krimptang
- 3 flexibele aansluitkabels in verschillende kleuren. De vereiste diameter kunt u vinden in de tabel in het hoofdstuk „Omvormer aansluiten” op pagina 159.
- Kabelschoenen en adereindhulzen

Voor de **bevestiging** van de omvormer heeft u de volgende hulpmiddelen nodig:

- Machineschroeven (M4) met onderlegschilden en zelfborgende moeren of
- Plaat- resp. houtschroeven.

## 8.2 Montage-instructies

Neem bij de keuze van de montageplaats de onderstaande instructies in acht:

- De omvormer kan horizontaal en verticaal worden gemonteerd.
- De omvormer moet op een plaats worden ingebouwd die beschermd is tegen vocht.
- De omvormer mag niet in omgevingen met ontvlambare materialen worden ingebouwd.
- De omvormer mag niet in stoffige omgevingen worden ingebouwd.
- De montageplaats moet goed geventileerd zijn. Bij installaties in gesloten, kleine ruimtes moet er ventilatie mogelijk zijn. De vrije minimumafstand om de omvormer moet minimaal 5 cm bedragen (afb. **3**).
- De ventilatieopeningen aan de voor- en achterkant van de omvormer moeten vrij blijven.
- Bij omgevingstemperaturen die hoger zijn dan 40 °C (bijvoorbeeld in motor- of verwarmingsruimtes, direct zonlicht), kan de omvormer uitschakelen hoewel het vermogen van de aangesloten verbruikers onder nominale last ligt (derating).
- Het montagevlak moet vlak zijn en voldoende stevigheid bieden.



### LET OP!

Controleer voor het boren of er geen elektrische kabels of andere delen van het voertuig door boren, zagen en vijlen beschadigd kunnen raken.

## 8.3 Omvormer monteren

- Monteer de omvormer zoals weergegeven (afb. **4**).



## 9 Omvormer aansluiten

### 9.1 Algemene instructies



#### WAARSCHUWING!

- De aansluiting van de omvormer mag alleen door hiervoor opgeleide vakmensen worden uitgevoerd. De volgende informatie is bestemd voor vakmensen die vertrouwd zijn met de betreffende richtlijnen en veiligheidsmaatregelen.
- Bij voertuigen waarbij de pluspool van de accu met het chassis is verbonden, mag de omvormer **niet** worden gebruikt.
- Als u geen zekering in de **plusleiding** van de accu plaatst, kunnen de leidingen overbelast raken. Dit kan brand tot gevolg hebben.

- De omvormer moet bij installaties in voertuigen of boten met het chassis resp. met massa verbonden zijn.
- Houd u bij de opbouw van een distributiekering via het stopcontact (netopbouw) aan de voorschriften van VDE 0100.
- Gebruik uitsluitend koperkabels.
- Houd de kabels zo kort mogelijk (< 1 m).
- Gebruik voor de aarding een kabel met een minimumdoorsnede van 4 mm<sup>2</sup>.
- Houd u aan de vereiste kabeldiameter en plaats een kabelzekering (afb. **6** 1) zo dicht mogelijk bij de accu in de plusleiding (zie tabel).

Toestel	Vereiste kabeldiameter	Kabelzekering
DSP1312T	35 mm <sup>2</sup>	200 A
DSP1324T	25 mm <sup>2</sup>	150 A
DSP1812T	50 mm <sup>2</sup>	250 A
DSP1824T	25 mm <sup>2</sup>	150 A
DSP2312T	70 mm <sup>2</sup>	300 A
DSP2324T	35 mm <sup>2</sup>	200 A
DSP3512T	2 x 50 mm <sup>2</sup>	2 x 250 A
DSP3524T	50 mm <sup>2</sup>	250 A

## 9.2 Omvormer aansluiten



### WAARSCHUWING!

Zorg er vóór het aansluiten van de wisselspanningsuitgangsleiding voor dat de omvormer met de hoofdschakelaar is uitgeschakeld.



### LET OP!

Zorg ervoor dat de polariteit niet wordt verwisseld. Verkeerde polariteit kan de omvormer beschadigen.



### INSTRUCTIE

Draai de schroeven of moeren vast met een aanhaalmoment van max. 15 Nm. Losse verbindingen kunnen tot oververhittingen leiden.

- Sluit de omvormer aan zoals weergegeven:
  - Accu aansluiten: afb. **5** en afb. **6**
  - Massaklem aansluiten: afb. **7**
  - 230 V-voedingsleiding aansluiten: afb. **8** (INPUT)
  - 230 V-uitgangsleiding aansluiten: afb. **8** (OUTPUT)

## 9.3 Meerdere verbruikers aansluiten

Het toestel is in de afleveringstoestand uitgerust met een galvanische scheiding. Voor een veilige werking van meerdere verbruikers is het beslist noodzakelijk dat in het verdeeldooscircuït een veiligheidsschakelaar (FI-schakelaar) wordt ingebouwd.

- Monteer een FI-schakelaar in het circuit met verdeeldoos.

## 9.4 Afstandsbediening aansluiten (toebehoren)



### LET OP!

Steek de aansluiting voor de afstandsbediening alleen in de remote-poort. Door verkeerd aansluiten kan het toestel beschadigd raken.

- Sluit de afstandsbediening zoals weergegeven aan (afb. **9**).

## 9.5 Externe schakelaar voor het in- en uitschakelen aansluiten



### INSTRUCTIE

Gebruik kabels met een kabeldiameter van 0,25 – 0,75 mm<sup>2</sup>.

Als externe schakelaar kunt u het volgende gebruiken:

- Externe schakelaar, spanningsvoorziening uit de omvormer: afb. **10** A
  - Stuu eenheid met relais- of transistorschakeling (TR): afb. **10** B
  - Externe schakelaar met spanningsvoorziening via de accu (BAT) van het voertuig: afb. **10** C
  - Externe schakelaar met eigen spanningsvoorziening (DC POWER), bijv. door het contact: afb. **10** D
- Zet de hoofdschakelaar (afb. **2** 1) op „OFF”.
  - Zorg ervoor dat de aansluiting voor de afstandsbediening (afb. **2** 11) niet bezet is.
  - Zet de hoofdschakelaar (afb. **2** 1) op „REMO”.
  - Sluit de externe aan-/uitschakelaar met de aansluitkabel aan op de klem (afb. **2** 12) aan.

## 9.6 Relais aansluiten

U kunt een relais aansluiten die aangeeft of de 230 V-ingang is aangesloten. Zo kunt u bijv. een wegrijblokkering realiseren zodat het voertuig niet kan vertrekken als de 230 V-ingang is aangesloten.

- Sluit het relais zoals weergegeven aan (afb. **11**):
  - NO (Normally Open): maakcontact
  - COM (Common): wisselcontact
  - NC (Normally Closed): rustcontact

Specificatie voor het relais:

Maximale spanning	Last	Stroomgebruik	
		NO	NC
250 V~	Ohms	0,5 A	0,5 A
12 V/24 V===	Ohms	1 A	1 A

## 10 Omvormer gebruiken

### 10.1 Omvormer inschakelen

- ▶ Zet de hoofdschakelaar (afb. **2** 1) van de omvormer in schakelaarstand aan:
  - „**O**“: Om de omvormer permanent uit te schakelen
  - „**I**“: Om de omvormer permanent in te schakelen
  - „**II**“: Om de omvormer met een afstandsbediening (**toebehoren**) te kunnen in- en uitschakelen
- ▶ De omvormer voert bij het inschakelen een zelfdiagnose uit.
- ✓ Als de zelfdiagnose is geslaagd, brandt de LED blauw (afb. **2** 2).

### 10.2 Bedrijfsindicaties

De blauwe led (afb. **2** 2) geeft de bedrijfstoestand van de omvormer weer.

Indicatie	Ingangsspanning
Continu branden	Normaal bedrijf
Lang knipperen, korte onderbreking	Omvormer oververhit/overbelast
Snel knipperen	Overspanning/onderspanning
Kort knipperen, lange onderbreking	Isolatieschakelaar heeft de omvormer uitgeschakeld
Uit	Andere fout

De omvormer schakelt uit, als:

- De accuspanning daalt onder 10 V (12 V---aansluiting) resp. 20 V (24 V---aansluiting).
  - De accuspanning stijgt boven 16,5 V (12 V---aansluiting) resp. 33 V (24 V---aansluiting).
  - De omvormer wordt overbelast.
  - De omvormer wordt oververhit.
- ▶ Schakel de omvormer in dit geval met de hoofdschakelaar (afb. **2** 1) uit.
  - ▶ Controleer of de omvormer voldoende geventileerd wordt en of de ventilatoropeningen en ventilatiesleuven vrij zijn.
  - ▶ Wacht ca. 5 – 10 min en schakel de omvormer zonder verbruiker weer in.

## 10.3 Energiebesparende modus instellen



### INSTRUCTIE

De energiebesparende modus kan alleen via een afstandsbediening worden in- en uitgeschakeld.

## 10.4 Omvormer instellen

U kunt het toestel met behulp van de DIP-schakelaar (afb. **2** 4) aanpassen.

### Instellingen vastleggen

Met de DIP-schakelaar S1 kunt u vastleggen of de instelling van de parameters via de aansluiting van een CI-BUS-compatibel bedieningsveld of via de DIP-schakelaars moet plaatsvinden.

Parameter	DIP-schakelaar
	S1
Aansluiting voor afstandsbediening	Uit
DIP-schakelaar	Aan

### Netspanning instellen

Met de DIP-schakelaar S2 kunt u de netspanning instellen.

Netspanning	DIP-schakelaar
	S2
230 V/50 Hz	Uit
240 V/60 Hz	Aan

## Energiebesparende modus instellen

Met de DIP-schakelaars S3 en S4 kunt u de energiebesparende modus instellen. Daardoor wordt de accu, waarop u de omvormer aansluit, niet zo snel ontladen.

De omvormer werkt dan in de energiebesparende modus, zolang het vereiste vermogen onder de ingestelde vermogenswaarde ligt. Als het benodigde vermogen boven de ingestelde vermogenswaarde ligt, werkt de omvormer in normaal bedrijf.

De waarden die u voor uw omvormer moet instellen, vindt u in de volgende tabel:

Energiebesparende modus	DIP-schakelaar	
	S3	S4
Energiebesparende modus geactiveerd als last < 45 W Normale modus geactiveerd als last > 45 W	Uit	Uit
Energiebesparende modus geactiveerd als last < 1 W Omvormer schakelt automatisch uit na 20 min in de energiebesparende modus Normale modus geactiveerd als last > 1 W	Aan	Uit
Energiebesparende modus geactiveerd als last < 1 W Normale modus geactiveerd als last > 1 W	Uit	Aan
Energiebesparende modus geactiveerd als last $\geq$ 45 W Omvormer schakelt automatisch uit na 20 min in de energiebesparende modus Normale modus geactiveerd als last > 45 W	Aan	Aan

## Netvorm instellen

Met de DIP-schakelaar S5 kunt u vastleggen in welke netvorm de omvormer moet worden gebruikt.

Parameter	DIP-schakelaar S5
TN-net Een externe, nageschakelde <b>aardlekschakelaar is vereist.</b>	Uit
IT-net Bedrijf alleen met een verbruiker of installatie van een externe isolatieschakelaar. <b>Nationale normen in acht nemen!</b>	Aan

## 11 Omvormer onderhouden en reinigen



### LET OP!

Geen scherpe of harde voorwerpen of reinigingsmiddelen bij het reinigen gebruiken. Dit kan het product beschadigen.

- Reinig het product af en toe met een vochtige doek.

## 12 Verhelpen van storingen



### WAARSCHUWING!

Open het toestel niet. Er bestaat gevaar voor een elektrische schok!



### INSTRUCTIE

Bij gedetailleerde vragen over de **gegevens van de omvormer** kunt u contact opnemen met de fabrikant (adressen, zie achterzijde van de handleiding).

De led (afb. **2**) geeft de storing aan:

Led-indicatie	Oorzaak	Oplossing
Snel knipperen	Te hoge ingangsspanning	Controleer de ingangsspanning en verlaag deze.
	Te lage ingangsspanning	De accu moet worden opgeladen. Controleer de leidingen en verbindingen.
2 s branden, korte onderbreking	Thermische overbelasting	Schakel de omvormer en de verbruiker uit. Wacht ca. 5 – 10 minuten en schakel de omvormer zonder verbruiker weer in. Verminder de belasting en zorg voor een betere ventilatie van de omvormer. Schakel daarna de verbruiker weer in.
	Te hoge belasting	Schakel de omvormer uit en verwijder de verbruiker. Schakel de omvormer zonder verbruiker weer in. Als er nu geen te hoge belasting meer wordt aangegeven, is er sprake van kortsluiting bij de verbruiker of was de volledige belasting hoger dan het vermogen dat in het gegevensblad stond. Controleer de leidingen en verbindingen. Druk de toestelbeveiliging opnieuw in.
Uit	Andere fout	Neem contact op met de klantenservice.



## 13 Garantie

De wettelijke garantieperiode is van toepassing. Als het product defect is, wendt u zich tot het filiaal van de fabrikant in uw land (adressen zie achterkant van de handleiding) of tot uw speciaalzaak.

Voor de afhandeling van de reparatie of garantie dient u de volgende documenten mee te sturen:

- een kopie van de factuur met datum van aankoop,
- reden van de klacht of een beschrijving van de storing.

## 14 Afvoer


► Laat het verpakkingsmateriaal indien mogelijk recylen.



Als u het product definitief buiten bedrijf stelt, informeer dan bij het dichtstbijzijnde recyclingcentrum of uw speciaalzaak naar de betreffende afvoervorschriften.

## 15 Technische gegevens

Volgende technische gegevens gelden voor alle omvormers:

Uitgangsspanning:	230/240 V~ ± 3 %, zuiver sinusgolf (vervorming <3 %)
Uitgangsfrequentie:	50/60 Hz ± 0,3 Hz
Warmteafvoer:	temperatuur- en lastgestuurde ventilator
Omgevingstemperatuur bedrijf:	-20 °C tot +60 °C
Omgevingstemperatuur opslag:	-30 °C tot +70 °C
Vermogensregeling:	≥40 °C
Overbruggingsrelais:	16 A/250 V~
Overbruggingsomschakeling met spanningssynchronisatie:	<20 ms
Luchtvochtigheid:	0 – 95 %, niet-condenserend
Keurmerk/certificaat:	

	<b>DSP1312T</b>	<b>DSP1812T</b>	<b>DSP1324T</b>	<b>DSP1824T</b>
Art.-nr.:	9600002551	9600002553	9600002552	9600002554
Nominale ingangsspanning:	12 V $\overline{=}$		24 V $\overline{=}$	
Ingangsspanningsbereik:	10 – 16,5 V $\overline{=}$		20 – 33 V $\overline{=}$	
Nominaal vermogen:	1200 W	1800 W	1200 W	1800 W
Maximaal vermogen gedurende 10 min:	1300 W	1800 W	1300 W	1800 W
Maximaal vermogen gedurende 3 min:	1380 W	2070 W	1380 W	2070 W
Piekvermogen gedurende 2 s:	2400 W	3600 W	2400 W	3600 W
Stroomverbruik bij nullast:	2,5 A	2,5 A	1,3 A	1,3 A
Stand-bystroomgebruik bij nominale spanning:	<0,2 A	<0,2 A	<0,1 A	<0,1 A
Rendement:	>89 %		>90 %	
Vermogensaanpassing bij een ingangsspanning tussen 10,0 V en 10,5 V:	1020 W	1530 W	1020 W	1530 W
Vermogensaanpassing bij temperaturen boven 40 °C:	1,75 % van het nominale vermogen per graad boven 40 °C			
Afmetingen b x l x h:	afb. <b>15</b>			
Gewicht:	4,8 kg	6,1 kg	4,8 kg	6,1 kg

	<b>DSP2312T</b>	<b>DSP3512T</b>	<b>DSP2324T</b>	<b>DSP3524T</b>
Art.-nr.:	9600002555	9600002557	9600002556	9600002558
Nominale ingangsspanning:	12 V $\overline{=}$		24 V $\overline{=}$	
Ingangsspanningsbereik:	10 – 16,5 V $\overline{=}$		20 – 33 V $\overline{=}$	
Nominaal vermogen:	2000 W	3000 W	2000 W	3000 W
Maximaal vermogen gedurende 10 min ( $U_{IN} > 12,5$ V):	2300 W	3500 W	2300 W	3500 W
Maximaal vermogen gedurende 3 min ( $U_{IN} > 10,5$ V):	2300 W	3500 W	2300 W	3500 W
Piekvermogen gedurende 2 s:	4000 W	6000 W	4000 W	6000 W
Stroomverbruik bij nullast:	2,8 A	3,6 A	1,4 A	1,8 A
Stand-bystroomgebruik bij nominale spanning:	<0,2 A	<0,2 A	<0,15 A	<0,15 A
Rendement:	>89 %		>90 %	
Vermogensaanpassing bij een ingangsspanning tussen 10,0 V en 10,5 V:	1700 W	2600 W	1700 W	2600 W
Vermogensaanpassing bij temperaturen boven 40 °C:	1,75 % van het nominale vermogen per graad boven 40 °C			
Afmetingen b x l x h:	afb. <b>15</b>			
Gewicht:	6,6 kg	10,9 kg	6,6 kg	10,9 kg

**Veiligheidsinrichtingen**

	<b>12 V</b>	<b>24 V</b>
Ingang:	Onderspanning, beveiliging tegen verkeerd polen (interne zekering)	
AC-uitgang:	Overspanning, kortsluiting, overbelasting	
AC-ingang:	16 A-aardlekschakelaar	
Temperatuur:	Uitschakeling	
Bescherming tegen kortsluiting:	Ja, lpk	

**Overspanningsbeveiliging**

<b>Toestel</b>	<b>Overspanning</b>	
	<b>Uitschakeling</b>	<b>Herstart</b>
DSP1312T, DSP1812T, DSP2312T, DSP3512T	16,5 V	15,5 V
DSP1324T, DSP1824T, DSP2324T, DSP3524T	33 V	31 V

**Onderspanningsbeveiliging**

<b>Toestel</b>	<b>Onderspanning</b>	
	<b>Uitschakeling</b>	<b>Herstart</b>
DSP1312T, DSP1812T, DSP2312T, DSP3512T	10 V	12 V
DSP1324T, DSP1824T, DSP2324T, DSP3524T	20 V	24 V

De actuele EG-conformiteitsverklaring voor uw apparaat ontvangt u op de desbetreffende productpagina van [dometic.com](http://dometic.com) of direct via de fabrikant (zie achterzijde).

**Læs denne vejledning omhyggeligt igennem før installation og ibrugtagning, og opbevar den. Giv den til brugeren, hvis du giver produktet videre.**

## Indholdsfortegnelse

1	Forklaring af symbolerne .....	172
2	Generelle sikkerhedshenvisninger .....	172
3	Leveringsomfang .....	175
4	Tilbehør .....	176
5	Målgruppe for denne vejledning .....	176
6	Korrekt brug .....	176
7	Teknisk beskrivelse .....	176
8	Montering af inverteren .....	179
9	Tilslutning af inverteren .....	181
10	Anvendelse af inverteren .....	184
11	Vedligeholdelse og rengøring af inverteren .....	187
12	Udbedring af fejl .....	188
13	Garanti .....	189
14	Bortskaffelse .....	189
15	Tekniske data .....	189

# 1 Forklaring af symbolerne

**FARE!**

**Sikkerhedshenvisning:** Manglende overholdelse medfører død eller alvorlig kvæstelse.

**ADVARSEL!**

**Sikkerhedshenvisning:** Manglende overholdelse kan medføre død eller alvorlig kvæstelse.

**VIGTIGT!**

Manglende overholdelse kan medføre materielle skader og begrænse produktets funktion.

**BEMÆRK**

Supplerende informationer om betjening af produktet.

## 2 Generelle sikkerhedshenvisninger

### 2.1 Generel sikkerhed

Producenten påtager sig intet ansvar for skader i følgende tilfælde:

- Monterings- eller tilslutningsfejl
- Beskadigelser på produktet på grund af mekanisk påvirkning og overspænding
- Ændringer på produktet uden udtrykkelig tilladelse fra producenten
- Anvendelse til andre formål end dem, der er beskrevet i vejledningen

Overhold følgende grundlæggende sikkerhedsforanstaltninger ved brug af elektriske apparater for at beskytte mod:

- Elektrisk stød
- Brandfare
- Kvæstelser

## 2.2 Grundlæggende sikkerhed



### FARE!

- Anvend i tilfælde af brand en ildslukker, der er egnet til elektriske apparater.



### ADVARSEL!

- Anvend kun apparatet til det formål, som det er bestemt til.
- Sørg for, at den røde og den sorte klemme **aldrig** berører hinanden.
- Afbryd apparatet fra nettet
  - før rengøring og vedligeholdelse
- Hvis du afmonterer apparatet:
  - Løsn alle forbindelser.
  - Kontrollér, at alle ind- og udgange er uden spænding.
- Hvis apparatet eller tilslutningskablet har synlige beskadigelser, må apparatet ikke tages i drift.
- Hvis dette apparats tilslutningskabel beskadiges, skal det udskiftes af producenten, dennes kundeservice eller en lignende kvalificeret person for at undgå farer.
- Reparationer på dette apparat må kun foretages af fagfolk. Ved ukorrekte reparationer kan der opstå betydelige farer.
- Dette apparat kan anvendes af børn over 8 år og derudover af personer med begrænsede fysiske, sanse- eller mentale evner eller uden erfaring og/eller viden, hvis de er under opsyn eller blev instrueret i sikker brug af apparatet og forstår farerne, der følger heraf.
- **El-apparater er ikke legetøj!**
  - Opbevar og anvend apparatet uden for børns rækkevidde.
- Børn bør være under opsyn for at sikre, at de ikke leger med apparatet.



### VIGTIGT!

- Sammenlign forud for ibrugtagning spændingsangivelsen på typeskiltet med energiforsyningen, der er til rådighed.
- Sørg for, at andre genstande **ikke** forårsager en kortslutning på apparatets kontakter.
- Træk aldrig stikket ud af stikdåsen med tilslutningskablet.
- Opbevar apparatet på et tørt og køligt sted.

## 2.3 Sikkerhed ved montering af apparatet



### FARE!

- Montér ikke apparatet i områder, hvor der er fare for en gas- eller støvexplosion.



### FORSIGTIG!

- Sørg for, at apparatet står sikkert!  
Apparatet skal opstilles og fastgøres sikkert, så det ikke kan vælte eller falde ned.



### VIGTIGT!

- Udsæt ikke apparatet for varmekilder (sol, varmeapparater osv.). På den måde undgår du yderligere opvarmning af apparatet.
- Stil apparatet på et tørt sted, der er beskyttet mod stænkvand.

## 2.4 Sikkerhed under elektrisk tilslutning af apparatet



### FARE! Livsfare på grund af elektrisk stød!

- Når der arbejdes på elektriske anlæg, skal det kontrolleres, at der er nogen i nærheden, som kan hjælpe i et nødstilfælde.



### ADVARSEL!

- Sørg for et tilstrækkeligt ledningstværsnit.
- Træk ledningerne, så de ikke kan blive beskadiget af døre eller motorhjelme.  
Klemte ledninger kan føre til livsfarlige kvæstelser.



### FORSIGTIG!

- Træk ledningerne, så der ikke er fare for at falde over dem, og en beskadigelse af kablet er udelukket.



### VIGTIGT!

- Anvend tomme rør eller ledningsgennemføringer, når ledninger skal føres gennem pladevægge eller andre vægge med skarpe kanter.
- Træk **ikke** 230 V-netledningen og 12 V-jævnstrømsledningen i den samme kabelkanal (tomme rør)!
- Træk **ikke** ledningerne løst eller med skarpe knæk.
- Fastgør ledningerne godt.
- Træk ikke i ledninger.



## 2.5 Sikkerhed under anvendelse af apparatet



### FARE! Livsfare på grund af elektrisk stød!

- Tag aldrig fat i uisolerede ledninger med bare hænder.



### ADVARSEL!

- Anvend udelukkende apparatet i lukkede, godt ventilerede rum.



### FORSIGTIG!

- Anvend **ikke** apparatet
  - i saltholdige, fugtige eller våde omgivelser
  - i nærheden af aggressive dampe
  - i nærheden af brændbare materialer
  - i områder med eksplosionsfare
- Kontrollér før ibrugtagning, at ledningen og stikket er tørre.
- Afbryd altid strømforsyningen ved arbejder på apparatet.
- Vær opmærksom på, at dele af apparatet stadig kan være spændingsførende, når beskyttelsesanordningen (sikring) er blevet udløst.
- Løsn ikke kabler, når apparatet stadig er i drift.



### VIGTIGT!

- Tildæk ikke apparatets luftind- og -udgange.
- Sørg for god ventilation.

## 3 Leveringsomfang

Pos. på fig. <b>1</b>	Betegnelse
1	Sinus inverter
2	Tilslutningskabel med Schuko-kobling (til 230 V~ -udgang)
3	Tilslutningskabel med Schuko-stik (til 230 V~ -forsyning)
–	Betjeningsvejledning

## 4 Tilbehør

Betegnelse	Art.nr.
Fjernbetjening	9600002564
Energimonitor	9600002565

## 5 Målgruppe for denne vejledning

kapitlet „Tilslutning af inverteren“ på side 181 henvender sig udelukkende til fagfolk, der kender de pågældende VDE-retningslinjer.

Alle øvrige kapitler henvender sig også til brugerne af apparatet.

## 6 Korrekt brug



### ADVARSEL!

Inverteren må ikke anvendes i køretøjer, hvor batteriets pluspol er forbundet med chassiset.

Inverterne er beregnet til at omforme jævnspænding til en 230 – 240 V-vekselspænding på 50 Hz eller 60 Hz:

- **12 V $\overline{=}$** : DSP1312T, DSP1812T, DSP2312T, DSP3512T
- **24 V $\overline{=}$** : DSP1324T, DSP1824T, DSP2324T, DSP3524T

## 7 Teknisk beskrivelse

Inverterne kan anvendes over alt, hvor der findes en DC-tilslutning.

- **12 V $\overline{=}$** : DSP1312T, DSP1812T, DSP2312T, DSP3512T
- **24 V $\overline{=}$** : DSP1324T, DSP1824T, DSP2324T, DSP3524T

På grund af den begrænsede vægt og den kompakte konstruktion kan dette apparat uden problemer monteres i autocampere, erhvervskøretøjer og motor- og sejlyachter.

Udgangsspændingen svarer til almindelig spænding fra stikdåsen (ren sinus-spænding, forvrængningsfaktor <3 %).

Overhold værdierne for konstant udgangseffekt og spids-udgangseffekt, som de er anført i kapitlet „Tekniske data“ på side 189. Apparater, der har et højere effektforbrug, må ikke tilsluttes.

**BEMÆRK**

Vær ved tilslutning af apparater med elektrisk drev (f.eks. boremaskine, køleskab osv.) opmærksom på, at disse ofte har brug for en højere effekt, end der er angivet på typeskiltet, når de startes.

Inverteren har forskellige beskyttelsesmekanismer:

- **Overspændingsbeskyttelse:** Inverteren frakobles, hvis spændingsværdien stiger over frakoblingsværdien. Den starter igen, når spændingen falder til genstartsværdien.
- **Underspændingsbeskyttelse:** Inverteren frakobles, hvis spændingsværdien falder under frakoblingsværdien. Den starter igen, når spændingen stiger til genstartsværdien.
- **Overtemperaturbeskyttelse:** Inverteren frakobles, hvis temperaturen i apparatet eller temperaturen på kølelegemet stiger over en frakoblingsværdi. Den starter igen, når spændingen stiger til genstartsværdien.
- **Overbelastningsbeskyttelse og beskyttelse mod kortslutning:** Lysdioden på inverteren melder en driftsmelding, når der er tilsluttet en for stor belastning, eller hvis der er en kortslutning. Apparatsikringen skal, efter den har udløst ved overstrøm, trykkes manuelt ind igen.

**BEMÆRK**

De enkelte koblingsværdier findes i kapitlet „Tekniske data“ på side 189.

Inverteren kan anvendes i følgende netformer:

- **TN-net:**  
Inverterens neutralleder er forbundet med stel. Et efterfølgende fejlstrømsrelæ skal være installeret.
- **IT-net:**  
De to faser er isoleret. Det er egnet til driften af en forbruger. Hvis der tilsluttes mere end en forbruger, skal der udkastes et beskyttelseskoncept (f.eks. isole- ringsovervågning).

Netformen konfigureres med en DIP-omskifter på apparatet.

Inverterne DSP13xxT, DSP18xxT, DSP23xxT har et tilslutningskabel med stikdåse og stik, der er fast monteret på apparatet. Inverteren DSP35xxT tilsluttes direkte til tilslutningsklemmerne via PG-forskrninger.

På grund af fasesynkroniseringen tilpasser inverteren sig AC-indgangsspændingens faseposition. Derved forhindres spændingsspidser ved omstilling fra batteri- til netspænding.

Inverteren egner sig til drift af følsomme forbrugere, da udgangsspændingen er en ren sinusbølge.

Inverteren er udstyret med en prioritetskobling. Hvis der findes en ekstern 230 V~ -spænding, anvendes den først og fremmest. Hvis der ikke findes en ekstern 230 V~ -spænding, anvendes det tilsluttede batteri til spændingsforsyningen.

Inverteren kan kobles på energibesparelsesmodus, så det tilsluttede batteri ikke aflades.

Med en fjernbetjening (**tilbehør**) kan inverteren tændes og slukkes.

Derudover kan inverteren styres med en energimonitor (**tilbehør**).

## 7.1 Betjeningslementer

Pos. på fig. <b>2</b>	Betegnelse	Beskrivelse
1	Hovedafbryder	<b>O</b> : Slukker apparatet konstant <b>I</b> : Tænder apparatet konstant <b>II</b> : Apparatet kan tændes og slukkes med en fjernbetjening ( <b>tilbehør</b> ).
2	Statuslysdioder	Se kapitlet „Driftsvisninger“ på side 184
3	Sikring	Beskytter inverteren mod overbelastning. Sikringen kan trykkes ind igen, efter den har udløst.
4	DIP-omskifter	Foretager indstillinger på inverteren Se kapitlet „Indstilling af inverteren“ på side 185

## 7.2 Tilslutninger



### BEMÆRK

Versionen for Kontinentaleuropa vises.

Pos. på fig. 2	Beskrivelse
5	230 V~ -indgang ( <b>DSP 35xxT</b> : PG-forskruning)
6	230 V~ -udgang ( <b>DSP 35xxT</b> : PG-forskruning)
7	Stelklemme (jordforbindelse på køretøjets karosseri)
8	Plusklemme
9	Minusklemme
10	CI/LIN-BUS-tilslutninger (LINA)
11	Tilslutning til fjernbetjening (LINB)
12	Tilslutning til fjernkontakt
13	Ventilator (bagside)

## 8 Montering af inverteren



### BEMÆRK

Før du monterer inverteren, skal tilslutte alle kabler, fordi der på den måde er uhindret adgang til alle kabler.

### 8.1 Nødvendigt værktøj

Til den **elektriske tilslutning** har du brug for følgende hjælpemidler:

- Krympetang
- 3 forskelligfarvede, fleksible tilslutningskabler. Det påkrævede tværsnit findes i tabellen i kapitlet „Tilslutning af inverteren“ på side 181.
- Kabelsko og muffe

Til **fastgørelsen** af inverteren har du brug for følgende monteringsmateriale:

- Maskinskruer (M4) med spændeskiver og selvlåsende møtrikker eller
- plade- eller træskruer.

## 8.2 Monteringshenvisninger

Vær opmærksom på følgende henvisninger ved valg af monteringssted:

- Inverteren kan både monteres horisontalt og vertikalt.
- Inverteren skal monteres på et sted, der er beskyttet mod fugt.
- Inverteren må ikke monteres i omgivelser med antændelige materialer.
- Inverteren må ikke monteres i støvholdige omgivelser.
- Monteringsstedet skal være godt ventileret. Ved installation i lukkede, små rum skal der findes ventilation og udluftning. Den fri minimumafstand omkring inverteren skal mindst være på 5 cm (fig. **3**).
- Ventilationsåbningerne på inverterens for- og bagside skal forblive fri.
- Ved udenomstemperaturerne, der er højere end 40 °C (f.eks. i motor- eller fyringsrum, direkte sollys), kan inverteren frakoble, selvom de tilsluttede forbrugeres effekt ligger under mærkebelastningen (derating).
- Monteringsfladen skal være plan og tilstrækkeligt fast.



### VIGTIGT!

Før du borer, skal du kontrollere, at elektriske kabler eller andre dele på køretøjet ikke beskadiges, når der bores, saves eller files.

## 8.3 Montering af inverteren

- Montér inverteren som vist (fig. **4**).

## 9 Tilslutning af inverteren

### 9.1 Generelle henvisninger



#### ADVARSEL!

- Tilslutningen må udelukkende installeres af fagfolk med tilsvarende uddannelse. De efterfølgende informationer henvender sig til fagfolk, der kender forskrifterne og sikkerhedsforanstaltningerne, der skal anvendes.
- Ved køretøjer, hvor batteriets pluspol er forbundet med chassiset, må inverteren **ikke** anvendes.
- Hvis der ikke monteres en sikring i batteriets **plus-ledning**, kan ledningerne blive overbelastet, og der kan opstå brand.

- Inverteren skal ved installation i køretøjer eller både være forbundet med chassiset eller stel.
- Overhold forskrifterne i VDE 0100, når der etableres en stikdåsefordelerkreds (netetablering).
- Anvend udelukkende kobberkabler.
- Kablerne skal være så korte som muligt (< 1 m).
- Anvend et kabel med et minimumtværsnit på 4 mm<sup>2</sup> til jordforbindelsen.
- Overhold det påkrævede kabeltværsnit, og monter en kabelsikring (fig. **6** 1) så tæt som muligt på batteriet i plus-ledningen (se tabel).

Apparat	Påkrævet kabeltværsnit	Kabelsikring
DSP1312T	35 mm <sup>2</sup>	200 A
DSP1324T	25 mm <sup>2</sup>	150 A
DSP1812T	50 mm <sup>2</sup>	250 A
DSP1824T	25 mm <sup>2</sup>	150 A
DSP2312T	70 mm <sup>2</sup>	300 A
DSP2324T	35 mm <sup>2</sup>	200 A
DSP3512T	2 x 50 mm <sup>2</sup>	2 x 250 A
DSP3524T	50 mm <sup>2</sup>	250 A

## 9.2 Tilslutning af inverteren



### ADVARSEL!

Kontrollér før tilslutningen af vekselspændingsudgangsledningen, at inverteren er frakoblet på hovedafbryderen.



### VIGTIGT!

Polerne må ikke byttes om. Forkert polaritet kan beskadige inverteren.



### BEMÆRK

Spænd skruerne eller møtrikkerne fast med et drejningsmoment på maks. 15 Nm. Løse forbindelse kan medføre overophedning.

- Tilslut inverteren som vist på:
  - Tilslutning af batteriet: fig. **5** og fig. **6**
  - Tilslutning af stelklemmen: fig. **7**
  - Tilslutning af 230 V-forsyningsledningen: fig. **8** (INPUT)
  - Tilslutning af 230 V-udgangsledningen: fig. **8** (OUTPUT)

## 9.3 Tilslutning af flere forbrugere

Apparatet er fra fabrikken udstyret med galvanisk adskillelse. Af hensyn til sikker drift af flere forbrugere er det tvingende nødvendigt, at der monteres en sikkerhedsafbryder (fejlstrømrelæ) i stikdåsefordelerkredsen.

- Montér et fejlstrømsrelæ i stikdåsefordelerkredsen.

## 9.4 Tilslutning af fjernbetjeningen (tilbehør)



### VIGTIGT!

Sæt kun tilslutningen til fjernbetjeningen i Remote-porten. Apparatet kan blive beskadiget som følge af forkert tilslutning.

- Tilslut fjernbetjeningen som vist (fig. **9**).



## 9.5 Tilslutning af en eksterne kontakt til til- og frakobling



### BEMÆRK

Anvend kabler med et kabeltværsnit på 0,25 – 0,75 mm<sup>2</sup>.

Som ekstern kontakt kan følgende anvendes:

- Ekstern kontakt, spændingsforsyning fra inverteren: fig. **10** A
  - Styreenhed med relæ- eller transistorkobling (TR): fig. **10** B
  - Ekstern kontakt med spændingsforsyning via køretøjets batteri (BAT): fig. **10** C
  - Ekstern kontakt med egen spændingsforsyning (DC POWER), f.eks. fra tændingen: fig. **10** D
- Stil hovedafbryderen (fig. **2** 1) på „OFF“.
  - Sørg for, at tilslutningen til fjernbetjeningen (fig. **2** 11) ikke er belagt.
  - Stil hovedafbryderen (fig. **2** 1) på „REMO“.
  - Tilslut den eksterne tænd/sluk-kontakt med tilslutningskablet til klemmen (fig. **2** 12).

## 9.6 Tilslutning af relæ

Du kan tilslutte et relæ, som viser, om 230 V-indgangen er tilsluttet. Du kan f.eks. realisere en startspærre, så køretøjet ikke kan køre, når 230 V-indgangen er tilsluttet.

- Tilslut relæet som vist (fig. **11**):
  - NO (Normally Open): Arbejdskontakt
  - COM (Common): Skiftekontakt
  - NC (Normally Closed): Hvilekontakt

Specifikation for relæet:

Maksimal spænding	Belastning	Strømforbrug	
		NO	NC
250 V~	Ohmsk	0,5 A	0,5 A
12 V/24 V==	Ohmsk	1 A	1 A

## 10 Anvendelse af inverteren

### 10.1 Tilkobling af inverteren

- ▶ Stil hovedafbryderen (fig. **2** 1) på inverteren som følger:
  - „**O**“: For at slukke inverteren permanent
  - „**I**“: For at tænde inverteren permanent
  - „**II**“: For at kunne tænde og slukke inverteren med en fjernbetjening (**tilbehør**)
- ▶ Inverteren udfører en selvtest ved tilkoblingen.
- ✓ Efter den afsluttede selvtest lyser lysdioden blåt (fig. **2** 2).

### 10.2 Driftsvisninger

Den blå lysdiode (fig. **2** 2) viser inverterens driftstilstand.

Visning	Indgangsspænding
Lyser konstant	Normal drift
Blinker længe, kort afbrydelse	Inverter overophedet/overbelastning
Blinker hurtigt	Overspænding/underspænding
Blinker kort, lang afbrydelse	Isolationsovervågningen har slukket inverteren
Fra	Anden fejl

Inverteren frakobles, hvis:

- Batterispændingen falder til under 10 V (12 V---tilslutning) eller 20 V (24 V---tilslutning).
  - Batterispændingen stiger til over 16,5 V (12 V---tilslutning) eller 33 V (24 V---tilslutning).
  - Inverteren overbelastes.
  - Inverteren overophedes.
- ▶ Sluk i dette tilfælde inverteren med hovedafbryderen (fig. **2** 1).
  - ▶ Kontrollér, om inverteren er tilstrækkeligt ventileret, og om ventilatoråbningerne og ventilationsåbningerne er fri.
  - ▶ Vent ca. 5 – 10 min, og tænd inverteren igen uden forbruger.

## 10.3 Indstilling af energibesparelsesmodusen



### BEMÆRK

Energibesparelsesmodusen kan kun tændes og slukkes med en fjernbetjening.

## 10.4 Indstilling af inverteren

Du kan tilpasse apparatet ved hjælp af DIP-omskifteren (fig. **2** 4).

### Fastlæggelse af indstillingerne

Med DIP-omskifteren S1 kan du fastlægge, om indstillingen af parametrene skal foretages via tilslutningen af et CI-BUS-kompatibelt betjeningsfelt eller via DIP-omskifterne.

Parameter	DIP-omskifter
	S1
Tilslutning til fjernbetjening	Fra
DIP-omskifter	Til

### Indstilling af netspænding

Med DIP-omskifter S2 kan du indstille netspændingen.

Netspænding	DIP-omskifter
	S2
230 V/50 Hz	Fra
240 V/60 Hz	Til

## Indstilling af energibesparelsesmodusen

Energibesparelsesmodussen kan indstilles med DIP-omskifterne S3 og S4. Derved aflades batteriet, som inverteren tilsluttes til, ikke så hurtigt.

Inverteren arbejder derefter i energibesparelsesmodus, så længe den krævede effekt ligger under den indstillede effektværdi. Hvis den krævede effekt ligger over den indstillede effektværdi, arbejder inverteren i normal drift.

Værdierne, der skal indstilles for inverteren, findes i den følgende tabel:

Energibesparelsesmodus	DIP-omskifter	
	S3	S4
Energibesparelsesmodus aktiveret, når belastning < 45 W Normal modus aktiveret, når belastning > 45 W	Fra	Fra
Energibesparelsesmodus aktiveret, når belastning < 1 W Inverteren slukker automatisk efter 20 min. drift i energibesparelsesmodusen Normal modus aktiveret, når belastning > 1 W	Til	Fra
Energibesparelsesmodus aktiveret, når belastning < 1 W Normal modus aktiveret, når belastning > 1 W	Fra	Til
Energibesparelsesmodus aktiveret, når belastning $\geq$ 45 W Inverteren slukker automatisk efter 20 min. drift i energibesparelsesmodusen Normal modus aktiveret, når belastning > 45 W	Til	Til

## Indstilling af netformen

Med DIP-omskifteren S4 kan du fastlægge, i hvilken netform inverteren skal anvendes.

Parameter	DIP-omskifter
TN-net Et eksternt, efterkoblet <b>fejlstrømsrelæ er nødvendigt.</b>	S5 Fra
IT-net Drift med kun en forbruger eller installation af en eksternt isoleringsovervågning. <b>Overhold nationale standarder!</b>	Til

## 11 Vedligeholdelse og rengøring af inverteren



### VIGTIGT!

Anvend ikke skarpe eller hårde genstande eller rengøringsmidler til rengøring, da det kan beskadige produktet.

- Rengør af og til produktet med en fugtig klud.

## 12 Udbedring af fejl



### ADVARSEL!

Åbn ikke apparatet. Du udsætter dig selv for fare for elektrisk stød!



### BEMÆRK

Kontakt producenten i forbindelse med detaljerede spørgsmål om **inverterens data** (adresse, se vejledningens bagside).

Lysdioden (fig. **2** 2) viser fejlen:

Lysdiodevisning	Årsag	Udbedring
Blinker hurtigt	For høj indgangsspænding	Kontrollér indgangsspændingen, og reducer den.
	For lav indgangsspænding	Batteriet skal oplades. Kontrollér ledningerne og forbindelserne.
Lyser i 2 sek., kort afbrydelse	Termisk overbelastning	Sluk inverteren og forbrugeren. Vent ca. 5 – 10 minutter, og tænd inverteren igen uden forbruger. Reducér belastningen, og sørg for en bedre ventilation af inverteren. Tænd derefter forbrugeren igen.
	For kraftig belastning	Sluk inverteren, og fjern forbrugeren. Tænd derefter inverteren uden forbruger igen. Hvis der nu ikke længere vises for kraftig belastning, foreligger der en kortslutning på forbrugeren, eller den samlede belastning var højere end effekten, der er anført i databladet. Kontrollér ledningerne og forbindelserne. Tryk igen apparatsikringen ind.
Fra	Anden fejl	Kontakt kundeserviceafdelingen.

## 13 Garanti

Den lovbestemte garantiperiode gælder. Hvis produktet er defekt, skal du kontakte producentens afdeling i dit land (adresser, se vejledningens bagside) eller din forhandler.

Ved reparation eller krav om garanti skal du medsende følgende bilag:

- En kopi af regningen med købsdato
- En reklamationsgrund eller en fejlbeskrivelse

## 14 Bortskaffelse


► Bortskaf så vidt muligt emballagen sammen med det tilsvarende genbrugsaffald.



Hvis du tager produktet endegyldigt ud af drift, skal du kontakte det nærmeste recyclingcenter eller din faghandel for at få de pågældende forskrifter om bortskaffelse.

## 15 Tekniske data

Følgende tekniske data gælder for alle inverttere:

Udgangsspænding:	230/240 V~ ± 3 %, ren sinusbølge (forvrængningsfaktor <3 %)
Udgangsfrekvens:	50/60 Hz ± 0,3 Hz
Varmeafgivelse:	Temperatur- og belastningsstyret ventilator
Udenomstemperatur drift:	-20 °C til +60 °C
Udenomstemperatur opbevaring:	-30 °C til +70 °C
Ydelsesregulering:	≥40 °C
Omstyringsrelæ:	16 A/250 V~
Omgåelsesomstilling med spændingssynkronisering:	<20 ms
Luftfugtighed:	0 – 95 %, ikke-kondenserende
Godkendelse/certifikat:	

	<b>DSP1312T</b>	<b>DSP1812T</b>	<b>DSP1324T</b>	<b>DSP1824T</b>
Art.nr.:	9600002551	9600002553	9600002552	9600002554
Nominel indgangsspænding:	12 V $\overline{=}$		24 V $\overline{=}$	
Indgangsspændingsområde:	10 – 16,5 V $\overline{=}$		20 – 33 V $\overline{=}$	
Nominel effekt:	1200 W	1800 W	1200 W	1800 W
Maksimal effekt i 10 min.:	1300 W	1800 W	1300 W	1800 W
Maksimal effekt i 3 min.:	1380 W	2070 W	1380 W	2070 W
Maksimumeffekt i 2 sek.:	2400 W	3600 W	2400 W	3600 W
Tomgangsstrømforbrug:	2,5 A	2,5 A	1,3 A	1,3 A
Standby-strømforbrug ved nominel spænding:	<0,2 A	<0,2 A	<0,1 A	<0,1 A
Virkningsgrad:	>89 %		>90 %	
Ydelsestilpasning ved en indgangsspænding mellem 10,0 V og 10,5 V:	1020 W	1530 W	1020 W	1530 W
Ydelsestilpasning ved temperaturer over 40 °C:	1,75 % af den nominelle ydelse pr. grad over 40 °C			
Mål B x L x H:	fig. <b>15</b>			
Vægt:	4,8 kg	6,1 kg	4,8 kg	6,1 kg



	<b>DSP2312T</b>	<b>DSP3512T</b>	<b>DSP2324T</b>	<b>DSP3524T</b>
Art.nr.:	9600002555	9600002557	9600002556	9600002558
Nominel indgangsspænding:	12 V $\overline{=}$		24 V $\overline{=}$	
Indgangsspændingsområde:	10 – 16,5 V $\overline{=}$		20 – 33 V $\overline{=}$	
Nominel effekt:	2000 W	3000 W	2000 W	3000 W
Maksimal ydelse i 10 min (U <sub>IN</sub> > 12,5 V):	2300 W	3500 W	2300 W	3500 W
Maksimal ydelse i 3 min (U <sub>IN</sub> > 10,5 V):	2300 W	3500 W	2300 W	3500 W
Maksimumeffekt i 2 sek.:	4000 W	6000 W	4000 W	6000 W
Tomgangsstrømforbrug:	2,8 A	3,6 A	1,4 A	1,8 A
Standby-strømforbrug ved nominel spænding:	<0,2 A	<0,2 A	<0,15 A	<0,15 A
Virkningsgrad:	>89 %		>90 %	
Ydelsestilpasning ved en indgangsspænding mellem 10,0 V og 10,5 V:	1700 W	2600 W	1700 W	2600 W
Ydelsestilpasning ved temperaturer over 40 °C:	1,75 % af den nominelle ydelse pr. grad over 40 °C			
Mål B x L x H:	fig. <b>15</b>			
Vægt:	6,6 kg	10,9 kg	6,6 kg	10,9 kg

**Beskyttelsesordninger**

	<b>12 V</b>	<b>24 V</b>
Indgang:	Underspænding, polbeskyttelse (intern sikring)	
AC-udgang:	Overspænding, kortslutning, overbelastning	
AC-indgang:	16 A-fejlstrømsrelæ	
Temperatur:	Frakobling	
Kortslutningsbeskyttelse:	Ja, lpk	

**Overspændingsbeskyttelse**

<b>Apparat</b>	<b>Overspænding</b>	
	<b>Frakobling</b>	<b>Genstart</b>
DSP1312T, DSP1812T, DSP2312T, DSP3512T	16,5 V	15,5 V
DSP1324T, DSP1824T, DSP2324T, DSP3524T	33 V	31 V

**Underspændingsbeskyttelse**

<b>Apparat</b>	<b>Underspænding</b>	
	<b>Frakobling</b>	<b>Genstart</b>
DSP1312T, DSP1812T, DSP2312T, DSP3512T	10 V	12 V
DSP1324T, DSP1824T, DSP2324T, DSP3524T	20 V	24 V

Den aktuelle EU-overensstemmelseserklæring for dit apparat får du på den pågældende produktside på [dometic.com](http://dometic.com) eller direkte hos producenten (se bagsiden).

**Läs igenom anvisningarna noga innan produkten monteras och används. Spara monterings- och bruksanvisningen för senare bruk. Överlämna bruksanvisningen till den nya ägaren vid ev. vidareförsäljning.**

## Innehållsförteckning

1	Förklaring av symboler .....	194
2	Allmänna säkerhetsanvisningar .....	194
3	Leveransomfattning. ....	197
4	Tillbehör .....	198
5	Målgrupp.....	198
6	Ändamålsenlig användning .....	198
7	Teknisk beskrivning. ....	198
8	Montera växelriktaren .....	201
9	Ansluta växelriktaren .....	203
10	Använda växelriktaren.....	206
11	Skötsel och rengöring av växelriktaren .....	209
12	Felsökning .....	210
13	Garanti .....	211
14	Avfallshantering.....	211
15	Tekniska data.....	211

# 1 Förklaring av symboler

**FARA!**

**Observera:** Beaktas anvisningen ej leder det till dödsfara eller svåra skador.

**VARNING!**

**Observera:** Beaktas anvisningen ej kan det leda till dödsfara eller svåra skador.

**OBSERVERA!**

Om anvisningarna inte beaktas kan det leda till materialskador och produktens funktion kan påverkas negativt.

**ANVISNING**

Kompletterande information om användning av produkten.

## 2 Allmänna säkerhetsanvisningar

### 2.1 Allmän säkerhet

Tillverkaren övertar inget ansvar för skador i följande fall:

- monterings- eller anslutningsfel
- skador på produkten, orsakade av mekanisk påverkan eller överspänning
- ändringar som utförts utan uttryckligt medgivande från tillverkaren
- ej ändamålsenlig användning

Observera nedanstående, grundläggande säkerhetsanvisningar för elapparater för att förhindra:

- Elektriska stötar
- Brandfara
- Skador

## 2.2 Allmän säkerhet



### FARA!

- Vid brand, använd en brandsläckare som är lämplig för elektriska apparater.



### VARNING!

- Apparaten får endast användas ändamålsenligt.
- Den röda och svarta klämman får **aldrig** vidröra varandra.
- Koppla bort apparaten från elnätet
  - före rengöring och underhåll
- Om apparaten demonteras:
  - Lossa alla anslutningar.
  - Säkerställ att alla in- och utgångar är fria från spänning.
- Om apparaten eller anslutningskabeln uppvisar synliga skador får apparaten ej tas i drift.
- Om apparatens anslutningskabel skadas måste den bytas ut av tillverkarens kundtjänst eller andra personer som är kvalificerade för liknande arbeten, för att onödiga risker ska undvikas.
- Denna apparat får endast repareras av härför utbildad personal. Icke fackmässiga reparationer kan leda till att allvarliga faror uppstår.
- Denna apparat kan användas av barn från 8 år samt personer med fysiska, sensoriska eller mentala funktionshinder eller oerfarenhet och/eller ovetande under uppsikt av en ansvarig person eller om de har undervisats hur apparaten används på ett säkert sätt utan att faror uppstår.
- **Elapparater är inga leksaker!**  
Förvara och använd apparaten utom räckhåll för barn.
- Barn bör hållas under uppsikt, så att de inte leker med apparaten.



### OBSERVERA!

- Jämför spänningsinformationen på typskylten med spänningen på ditt uttag innan apparaten tas i drift.
- Se till att andra föremål **inte** orsakar en kortslutning på apparaten.
- Dra aldrig i sladden när du ska dra ut kontakten ur uttaget.
- Förvara apparaten på en torr och sval plats.

## 2.3 Säkerhet vid montering av apparaten



### FARA!

- Montera inte apparaten i områden där det finns risk för gas- eller dammexplosion.



### AKTA!

- Se till att apparaten står stadigt!  
Apparaten måste ställas upp och fästas så att den inte kan välta eller falla ner.



### OBSERVERA!

- Apparaten får inte komma nära en värmekälla (direkt solljus, element, o.s.v.). På så sätt undviks att apparaten blir ännu varmare.
- Ställ apparaten på en torr och stänkvattenskyddad plats.

## 2.4 Säkerhet vid elektrisk anslutning av apparaten



### FARA! Livsfara p.g.a. elektriska stötar!

- När du arbetar på elektriska anläggningar, säkerställ att någon annan är i närheten som kan hjälpa dig i nödfall.



### VARNING!

- Se till att kabelarean är tillräcklig.
- Dra ledningarna så att de inte kan skadas av dörrar eller motorhuvar. Klämda kablar kan leda till livsfarliga skador.



### AKTA!

- Dra ledningarna så att ingen kan snubbla över dem och så att ledningarna inte kan skadas



### OBSERVERA!

- Använd tomma rör eller kabelkanaler när ledningarna dras genom plåtväggar eller andra väggar med vassa kanter.
- Lägg **inte** 230 V-nätledningen och 12 V-likströmsledningen i samma kabelkanal (tomt rör).
- Lägg **inte** ledningarna löst eller så att de knäckas eller brytas.
- Fäst ledningarna ordentligt.
- Dra inte i ledningarna.

## 2.5 Säkerhet vid drift av apparaten



### FARA! Livsfara p.g.a. elektriska stötar!

- Vidrör inte ledningarna med bara händer.



### WARNING!

- Använd apparaten endast i slutna och väl ventilerade utrymmen.



### AKTA!


- Använd **inte** apparaten
  - i salthaltiga, fuktiga eller blöta omgivningar
  - i närheten av aggressiva ångor
  - i närheten av brännbara material
  - i explosionsfarliga omgivningar
- Kontrollera före idrifttagningen att ledningarna och kontakten är torra.
- Koppla alltid bort strömförsörjningen före arbeten på apparaten.
- Observera att även om säkringen löser ut kan delar av apparaten fortfarande leda spänning.
- Lossa ingen kabel om apparaten fortfarande är i drift.



### OBSERVERA!

- Se till att ventilationen (in och ut) inte täcks över.
- Se till att ventilationen är god.

## 3 Leveransomfattning

Pos. på bild 	Beteckning
1	Sinusväxelriktare
2	Anslutningskabel med jordad koppling (för 230 V~ -utgång)
3	Anslutningskabel med jordad kontakt (för 230 V~ -försörjning)
–	Bruksanvisning

## 4 Tillbehör

Beteckning	Art.nr
Fjärrkontroll	9600002564
Energimonitor	9600002565

## 5 Målgrupp

kapitel "Ansluta växelriktaren" på sidan 203 riktar sig endast till behörigt fackfolk som har kännedom om relevanta VDE-direktiv.

Alla andra kapitel riktar sig även till apparatens ägare/användare.

## 6 Ändamålsenlig användning



### WARNING!

Växelriktaren får inte användas på fordon där batteriets pluspol är kopplad till chassit.

Växelriktarna används för att omvandla likspänning till 230 – 240 V växelspänning med 50 Hz eller 60 Hz:

- **12 V $\overline{=}$** : DSP1312T, DSP1812T, DSP2312T, DSP3512T
- **24 V $\overline{=}$** : DSP1324T, DSP1824T, DSP2324T, DSP3524T

## 7 Teknisk beskrivning

Växelriktarna kan användas överallt där det finns en DC-anslutning.

- **12 V $\overline{=}$** : DSP1312T, DSP1812T, DSP2312T, DSP3512T
- **24 V $\overline{=}$** : DSP1324T, DSP1824T, DSP2324T, DSP3524T

Den låga vikten och det kompakta utförandet gör att modellerna enkelt kan monteras i husbilar, nyttofordon, motor- och segelbåtar.

Utgångsspänningen motsvarar hushållsspänningen ur normala uttag (ren sinus-spänning, klirrfaktor <3 %).



Observera uppgifterna om kontinuerlig uteffekt och högsta uteffekt som anges i kapitel "Tekniska data" på sidan 211. Apparater med större effektbehov får inte anslutas.



### ANVISNING

Beakta att eldrivna apparater (t.ex. bormaskiner, kylskåp etc) ofta har större effektbehov under startfasen än vad som anges på typskylten.

Växelriktarna har olika skyddsmekanismer:

- **Överspänningskydd:** Växelriktaren stängs av när spänningvärdet överstiger avstängningsvärdet. Den startar igen när värdet sjunker till omstartvärdet.
- **Underspänningskydd:** Växelriktaren stängs av när spänningvärdet sjunker under avstängningsvärdet. Den startar igen när värdet sjunker till omstartvärdet.
- **Övertemperaturskydd:** Växelriktaren stängs av om temperaturen i en apparat eller temperaturen på kylelementet överstiger avstängningsvärdet. Den startar igen när värdet sjunker till omstartvärdet.
- **Överbelastningskydd och skydd mot kortslutning:** Lysdioden på växelriktaren indikerar driftfel när en för stor last är ansluten eller om en kortslutning uppstod. Apparatsens säkring måste tryckas in manuellt igen efter att den löst ut vid överström.



### ANVISNING

De olika kopplingsvärdena finns i kapitel "Tekniska data" på sidan 211.

Växelriktaren kan anslutas till följande nättyper:

- **TN-nät:**  
Växelriktarens neutralledare ansluts till jord. En efterkopplad jordfelsbrytare (FI-brytare) måste vara installerad.
- **IT-nät:**  
Båda faserna är isolerade. Det här alternativet lämpar sig om endast en förbrukare ska anslutas. Om fler än en förbrukare ska anslutas måste det finnas ett skyddskoncept (t.ex. en isolationsvakt).

Nättypen konfigureras med hjälp av en DIP-switch på apparaten.

Växelriktarna DSP13xxT, DSP18xxT, DSP23xxT har en anslutningskabel med uttag och kontakt, som är fast monterade på apparaten. Växelriktaren DSP35xxT ansluts via PG-förskruvningar direkt till anslutningsklämmorna.

Växelriktaren anpassar sig till AC-ingångsspänningen med hjälp av fassynkroniseringen. Detta förhindrar spänningstoppar vid omkoppling från batteri- till nätspänning.

Växelriktaren lämpar sig för att driva känsliga förbrukare eftersom utgångsspänningen är en ren sinusvåg.

Växelriktaren har prioritetskoppling. Om extern 230 V~ -spänning är tillgänglig används denna i första hand. Om ingen extern 230 V~ -spänning är tillgänglig, används det anslutna batteriet som spänningskälla.

Växelriktaren kan försättas i ett energisparläge så att det anslutna batteriet inte laddas ur för snabbt.

Med fjärrkontrollen (**tillbehör**) kan man slå på och stänga av växelriktaren.

Dessutom kan växelriktaren styras med en energimonitorn (**tillbehör**).

## 7.1 Reglage

Pos. på bild <b>2</b>	Beteckning	Beskrivning
1	Huvudbrytare	<b>O</b> : Stänger av apparaten permanent <b>I</b> : Slår på apparaten permanent <b>II</b> : Med en fjärrkontroll ( <b>tillbehör</b> ) kan man slå på och stänga av apparaten
2	Statuslysdiod	Se kapitel "Lysdioder" på sidan 206
3	Säkring	Skyddar växelriktaren mot överbelastning. Säkringen kan återigen tryckas in efter att den löst ut.
4	DIP-switch	Gör inställningar på växelriktaren Se kapitel "Ställa in växelriktaren" på sidan 207

## 7.2 Anslutningar



### ANVISNING

På bilden visas versionen för Kontinentaleuropa.

Pos. på bild <b>2</b>	Beskrivning
5	230 V~ -ingång ( <b>DSP 35xxT</b> : PG-förskruvning)
6	230 V~ -utgång ( <b>DSP 35xxT</b> : PG-förskruvning)
7	Jordanslutning (jordning på fordonskarossen)
8	Plus-anlutning
9	Minus-anlutning
10	CI/LIN-BUS-anlutningar (LINA)
11	Anlutning för fjärrkontroll (LINB)
12	Anlutning för färreglage
13	Fläkt (baksida)

## 8 Montera växelriktaren



### ANVISNING

Innan du monterar växelriktaren måste du ansluta alla kablar eftersom det medför att man kommer åt alla anslutningar obehindrat.

### 8.1 Verktyg

För **elanslutningen** krävs följande hjälpmedel:

- Crimptång
- 3 olikfärgade flexibla anslutningskablar. Kabelarea, se tabellen i kapitel "Ansluta växelriktaren" på sidan 203.
- Kabelskor och ändhylsor för ledare

För **fastsättning** av växelriktaren krävs följande monteringshjälpmedel:

- Maskinskruvor (M4) med underläggsbrickor och självlåsande muttrar eller
- Plåt- resp. träskruvar.

## 8.2 Monteringsanvisningar

Beakta följande anvisningar vid monteringen:

- Växelriktaren kan monteras horisontellt eller vertikalt.
- Växelriktaren måste monteras på ett ställe som är skyddat mot fukt.
- Växelriktaren får inte monteras i närheten av antändbart material.
- Växelriktaren får inte monteras i dammiga omgivningar.
- Monteringsstället måste ha god ventilation. Vid installation i slutna utrymmen måste man se till att det finns god ventilation (till- och frånluft). Runt omkring växelriktaren måste det finnas ett fritt utrymme på minst 5 cm (bild **3**).
- Ventilationsöppningarna på växelriktarens fram- och baksida får inte täppas igen.
- Om omgivningstemperaturen är högre än 40 °C (t.ex. i motor- eller pannrum, vid direkt solljus) kan det hända att växelriktaren stängs av trots att de anslutna förbrukarnas effekt ligger under nominell belastning (derating).
- Montera apparaten på en jämn och stabil yta.



### **OBSERVERA!**

Innan borrar göras, kontrollera att inga elkablar eller andra delar kan skadas genom borrar, sågning eller filning.

## 8.3 Montera växelriktaren

- Montera växelriktaren enligt illustrationen (bild **4**).

## 9 Ansluta växelriktaren

### 9.1 Allmän information



#### VARNING!

- Växelriktaren får endast anslutas av behöriga installatörer. Informationen nedan riktar sig till installatörer som har kännedom om gällande direktiv och säkerhetsåtgärder.
- Växelriktaren får **inte** användas för fordon där batteriets pluspol är kopplad till chassit.
- Om ingen säkring sätts in i batteriets **pluskabel** kan ledningarna överbelastas, vilket kan leda till brand.

- När växelriktaren installeras i fordon eller på båtar måste den anslutas till chassit resp. till jord.
- Beakta föreskrifterna i VDE 0100 när elanläggningen (nät) planeras/installeras.
- Använd endast kopparkablar.
- Använd så korta kablar som möjligt (< 1 m).
- Använd en kabel med en kabelarea på minst 4 mm<sup>2</sup> för jordningen.
- Se till att kabelarean stämmer och sätt in en kabelsäkring (bild **6** 1) så nära batteriet som möjligt i pluskabeln (se tabell).

Apparat	Erforderlig kabelarea	Kabelsäkring
DSP1312T	35 mm <sup>2</sup>	200 A
DSP1324T	25 mm <sup>2</sup>	150 A
DSP1812T	50 mm <sup>2</sup>	250 A
DSP1824T	25 mm <sup>2</sup>	150 A
DSP2312T	70 mm <sup>2</sup>	300 A
DSP2324T	35 mm <sup>2</sup>	200 A
DSP3512T	2 x 50 mm <sup>2</sup>	2 x 250 A
DSP3524T	50 mm <sup>2</sup>	250 A

## 9.2 Ansluta växelriktaren



### VARNING!

Kontrollera att växelriktaren är frånslagen med huvudbrytaren innan växelspänningens utgångskabel ansluts.



### OBSERVERA!

Se till att polerna ansluts rätt. Felaktig polaritet kan skada växelriktaren.



### ANVISNING

Dra åt skruvarna eller muttrarna med ett åtdragningsmoment på max. 15 Nm. Lösa kopplingar kan leda till överhettning.

- Anslut växelriktaren så som det visas på bilden:
  - Anslut batteriet: bild **5** och bild **6**
  - Anslut jordanslutningen: bild **7**
  - Ansluta 230 V-elkabeln: bild **8** (INPUT)
  - Ansluta 230 V-utgångskabeln: bild **8** (OUTPUT)

## 9.3 Anslutning av flera förbrukare

Apparaten har galvanisk frånskiljning vid leveransen. För säker användning med flera förbrukare är det nödvändigt att en jordfelsbrytare (FI-brytare) installeras i förgreningskretsen.

- Installera en jordfelsbrytare (FI) i förgreningskretsen.

## 9.4 Ansluta fjärrkontrollen (tillbehör)



### OBSERVERA!

Anslut alltid fjärrkontrollen till remote-porten. Apparaten kan skadas vid felaktig anslutning.

- Anslut fjärrkontrollen enligt bilden (bild **9**).

## 9.5 Ansluta extern brytare för påslagning och avstängning



### ANVISNING

Använd en kabel med en kabelarea på 0,25–0,75 mm<sup>2</sup>.

Följande kan användas som extern strömbrytare:

- Extern brytare, spänningsförsörjning från växelriktaren: bild **10** A
  - Styrenhet med relä- eller transistorkoppling (TR): bild **10** B
  - Extern brytare med spänningsförsörjning via fordonets batteri (BAT): bild **10** C
  - Extern brytare med egen spänningsförsörjning (DC POWER), t.ex. via tändningen: bild **10** D
- Ställ huvudbrytaren (bild **2** 1) på "OFF".
  - Se till att anslutningen för fjärrkontrollen (bild **2** 11) är ledig.
  - Ställ huvudbrytaren (bild **2** 1) på "REMO".
  - Anslut den externa på/av-brytaren till plinten (bild **2** 12).

## 9.6 Ansluta relä

Du kan ansluta ett relä som visar om 230 V-ingången är ansluten. På så sätt kan du t.ex. inrätta en startspärr som förhindrar att fordonet kan köras iväg när 230 V-ingången är ansluten.

- Anslut reläet på sättet som visas (bild **11**):
  - NO (Normally Open): Slutkontakt
  - COM (Common): Växelkontakt
  - NC (Normally Closed): Brytkontakt

Specifikation för reläet:

Max. spänning	Last	Strömbehov	
		NO	NC
250 V~	Resistiv	0,5 A	0,5 A
12 V/24 V===	Resistiv	1 A	1 A

## 10 Använda växelriktaren

### 10.1 Slå på växelriktaren

- ▶ Ställ in växelriktarens huvudbrytare (bild **2** 1) på följande sätt:
  - "0": Stänger av växelriktaren permanent
  - "I": Slår på växelriktaren permanent
  - "II": Möjliggör påslagning och avstängning av växelriktaren via en fjärrkontroll (**tillbehör**)
- ▶ Växelriktaren genomför ett självtest när den slås på.
- ✓ Om självtestet slutförs utan problem lyser lysdioden blått (bild **2** 2).

### 10.2 Lysdioder

Den blå lysdioden (bild **2** 2) indikerar växelriktarens driftläge.

Lysdiod	Ingångsspänning
Lyser konstant	Normal drift
Blinkar långsamt, kort paus	Växelriktaren överhettad/överbelastning
Blinkar snabbt	Överspänning/underspänning
Kort blinkning, lång paus	Isolationsvakten har stängt av växelriktaren
Av	Annat fel

Växelriktaren stängs av:

- Om batterispänningen sjunker under 10 V (12 V $\leftarrow$ anslutning) resp. 20 V (24 V $\leftarrow$ anslutning).
  - Om batterispänningen överstiger 16,5 V (12 V $\leftarrow$ anslutning) resp. 33 V (24 V $\leftarrow$ anslutning).
  - Växelriktaren överbelastas.
  - Växelriktaren överhettas.
- ▶ Slå då av växelriktaren med huvudbrytaren (bild **2** 1).
  - ▶ Kontrollera att växelriktaren har god ventilation och att fläkt- och luftöppningarna inte är övertäckta.
  - ▶ Vänta ca 5 – 10 min och slå på växelriktaren utan förbrukare igen.



## 10.3 Ställa in energisparläget



### ANVISNING

Energisparläget kan endast aktiveras och stängas av via en fjärrkontroll.

## 10.4 Ställa in växelriktaren

Apparaten kan ställas in med hjälp av DIP-switchen (bild **2** 4).

### Fastställa ändringar

Med DIP-switchen S1 kan du fastställa om inställningen av parametrarna ska utföras via anslutningen på en CI-BUS-kompatibel kontrollpanel eller via DIP-switchen.

Parameter	DIP-switch
	S1
Anslutning för fjärrkontroll	Av
DIP-switch	På

### Ställa in nätspänning

Med DIP-switch S2 kan du ställa in nätspänningen.

Nätspänning	DIP-switch
	S2
230 V/50 Hz	Av
240 V/60 Hz	På

## Ställa in energisparläget

Med DIP-switcharna S3 och S4 kan du ställa in energisparläget. På så sätt laddas inte batteriet som växelriktaren anslutits till ur så snabbt.

Växelriktaren arbetar i energisparläget så länge som effekten som krävs ligger under det inställda effektvärdet. När effekten som krävs ligger över det inställda effektvärdet arbetar växelriktaren i normalläge.

Värdena som ska ställas in för växelriktaren framgår av nedanstående tabell:

Energisparläge	DIP-switch	
	S3	S4
Energisparläge aktiverat när belastningen är < 45 W Normalt läge aktiverat när belastningen är > 45 W	Av	Av
Energisparläge aktiverat när belastningen är < 1 W Växelriktaren stängs av automatiskt efter 20 min drift i energisparläget Normalt läge aktiverat när belastningen är > 1 W	På	Av
Energisparläge aktiverat när belastningen är < 1 W Normalt läge aktiverat när belastningen är > 1 W	Av	På
Energisparläge aktiverat när belastningen är $\geq$ 45 W Växelriktaren stängs av automatiskt efter 20 min drift i energisparläget Normalt läge aktiverat när belastningen är > 45 W	På	På

## Ställa in nättyp

Med DIP-switchen S5 ställer man in vilken nättyp som ska användas för växelriktaren.

Parameter	DIP-switch
TN-nät Extern, efterkopplad <b>jordfelsbrytare (FI-brytare) måste finnas.</b>	Av
IT-nät Endast för en förbrukare, eller installation av en extern isolationsvakt. <b>Observera nationella regler och bestämmelser!</b>	På

## 11 Skötsel och rengöring av växelriktaren



### **OBSERVERA!**

Använd inga vassa eller hårda föremål för rengöring, använd inga skarpa rengöringsmedel; produkten kan skadas.

- Rengör produkten då och då med en fuktig trasa.

## 12 Felsökning



### VARNING!

Öppna inte apparaten. Risk för strömstötar!



### ANVISNING

Kontakta tillverkaren (adress på handbokens baksida) om du önskar detaljerad information om **växelriktarens data**.

Lysdioden (bild **2** 2) indikerar felet:

Lysdiod	Orsak	Åtgärd
Blinkar snabbt	För hög ingångsspänning	Kontrollera ingångsspänningen, sänk den.
	För låg ingångsspänning	Batteriet måste laddas. Kontrollera kablarna och anslutningarna.
Lyser 2 sek, kort paus	Termisk överbelastning	Stäng av växelriktaren och förbrukaren. Vänta ca 5 – 10 minuter och slå på växelriktaren utan förbrukare igen. Minska belastningen och förbättra växelriktarens ventilation. Slå på förbrukaren igen.
	För stor belastning	Stäng av växelriktaren och ta bort förbrukaren. Slå på växelriktaren utan förbrukare. Om det nu inte indikeras för hög belastning längre finns det en kortslutning i förbrukaren, eller den totala belastningen var större än värdet som anges i databladet. Kontrollera kablarna och anslutningarna. Tryck in apparatens säkring igen.
Av	Annat fel	Kontakta kundtjänst.

## 13 Garanti

Den lagstadgade garantitiden gäller. Om produkten är defekt: kontakta tillverkarens kontor i ditt land (adresser, se bruksanvisningens baksida) eller återförsäljaren.

Vid reparations- resp. garantiärenden ska följande skickas med:

- en kopia på fakturan med inköpsdatum,
- en reklambeskrivning/felbeskrivning.

## 14 Avfallshantering


► Lämna om möjligt förpackningsmaterialet till återvinning.



När produkten slutgiltigt tas ur bruk: informera dig om gällande bestämmelser hos närmaste återvinningscentral eller hos återförsäljaren.

## 15 Tekniska data

Följande tekniska data gäller för alla växelriktare:

Utgångsspänning:	230/240 V~ ± 3 %, ren sinusvåg (klirrfaktor <3 %)
Utgångsfrekvens:	50/60 Hz ± 0,3 Hz
Värmeavledning:	Temperatur- och laststyrd fläkt
Omgivningstemperatur vid drift:	-20 °C till +60 °C
Omgivningstemperatur vid förvaring:	-30 °C till +70 °C
Effektreglering:	≥40 °C
Bryggrelä:	16 A/250 V~
Överbryggningsomkoppling med spänningssynkronisering:	<20 ms
Luftfuktighet:	0 – 95 %, ej kondenserande
Provning/certifikat:	

	<b>DSP1312T</b>	<b>DSP1812T</b>	<b>DSP1324T</b>	<b>DSP1824T</b>
Art.nr:	9600002551	9600002553	9600002552	9600002554
Nominell ingångsspänning:	12 V $\equiv$		24 V $\equiv$	
Ingångsspänning:	10 – 16,5 V $\equiv$		20 – 33 V $\equiv$	
Märkeffekt:	1200 W	1800 W	1200 W	1800 W
Max. effekt för 10 min:	1300 W	1800 W	1300 W	1800 W
Max. effekt för 3 min:	1380 W	2070 W	1380 W	2070 W
Toppeffekt för 2 s:	2400 W	3600 W	2400 W	3600 W
Strömförbrukning, tomgång:	2,5 A	2,5 A	1,3 A	1,3 A
Standby-strömbehov vid nominell spänning:	<0,2 A	<0,2 A	<0,1 A	<0,1 A
Verkningsgrad:	>89 %		>90 %	
Effektanpassning vid en ingångsspänning på mellan 10,0 V och 10,5 V:	1020 W	1530 W	1020 W	1530 W
Effektanpassning vid temperaturer över 40 °C:	1,75 % av den nominella effekten per grad över 40 °C			
Mått B x L x H:	bild <b>15</b>			
Vikt:	4,8 kg	6,1 kg	4,8 kg	6,1 kg

	<b>DSP2312T</b>	<b>DSP3512T</b>	<b>DSP2324T</b>	<b>DSP3524T</b>
Art.nr:	9600002555	9600002557	9600002556	9600002558
Nominell ingångsspänning:	12 V $\equiv$		24 V $\equiv$	
Ingångsspänning:	10 – 16,5 V $\equiv$		20 – 33 V $\equiv$	
Märkeffekt:	2000 W	3000 W	2000 W	3000 W
Maximal effekt för 10 min ( $U_{IN} > 12,5$ V):	2300 W	3500 W	2300 W	3500 W
Maximal effekt för 3 min ( $U_{IN} > 10,5$ V):	2300 W	3500 W	2300 W	3500 W
Toppeffekt för 2 s:	4000 W	6000 W	4000 W	6000 W
Strömförbrukning, tomgång:	2,8 A	3,6 A	1,4 A	1,8 A
Standby-strömbehov vid nominell spänning:	<0,2 A	<0,2 A	<0,15 A	<0,15 A
Verkningsgrad:	>89 %		>90 %	
Effektanpassning vid en ingångsspänning på mellan 10,0 V och 10,5 V:	1700 W	2600 W	1700 W	2600 W
Effektanpassning vid temperaturer över 40 °C:	1,75 % av den nominella effekten per grad över 40 °C			
Mått B x L x H:	bild <b>15</b>			
Vikt:	6,6 kg	10,9 kg	6,6 kg	10,9 kg

**Skyddsanordningar**

	<b>12 V</b>	<b>24 V</b>
Ingång:	Underspänning, skydd mot polförväxling (intern säkring)	
AC-utgång:	Överspänning, kortslutning, överbelastning	
AC-ingång:	16 A-jordfelsbrytare	
Temperatur:	Avstängning	
Kortslutningsskydd:	Ja, lpk	

**Överspänningsskydd**

<b>Apparat</b>	<b>Överspänning</b>	
	<b>Avstängning</b>	<b>Omstart</b>
DSP1312T, DSP1812T, DSP2312T, DSP3512T	16,5 V	15,5 V
DSP1324T, DSP1824T, DSP2324T, DSP3524T	33 V	31 V

**Underspänningsskydd**

<b>Apparat</b>	<b>Underspänning</b>	
	<b>Avstängning</b>	<b>Omstart</b>
DSP1312T, DSP1812T, DSP2312T, DSP3512T	10 V	12 V
DSP1324T, DSP1824T, DSP2324T, DSP3524T	20 V	24 V

Aktuell EU-försäkran om överensstämmelse för maskinen kan erhållas från respektive produktsida på [dometic.com](http://dometic.com) eller direkt via tillverkaren (se baksida).



**Les bruksanvisningen nøye før du monterer og tar apparatet i bruk, og ta vare på den. Hvis produktet selges videre, må du sørge for å gi bruksanvisningen videre også.**

## Innholdsfortegnelse

1	Symbolforklaring . . . . .	216
2	Generelle sikkerhetsregler . . . . .	216
3	Leveringsomfang . . . . .	219
4	Tilbehør . . . . .	220
5	Målgruppen for denne veiledningen . . . . .	220
6	Forskriftsmessig bruk . . . . .	220
7	Teknisk beskrivelse . . . . .	220
8	Montere vekselretter . . . . .	223
9	Koble til vekselretteren . . . . .	225
10	Bruk av vekselretteren . . . . .	228
11	Stell og rengjøring av vekselretteren . . . . .	231
12	Feilsøking . . . . .	232
13	Garanti . . . . .	233
14	Avfallsbehandling . . . . .	233
15	Tekniske data . . . . .	233

# 1 Symbolforklaring

**FARE!**

**Sikkerhetsregel:** Hvis man ikke overholder denne regelen, fører det til død eller alvorlig skade.

**ADVARSEL!**

**Sikkerhetsregel:** Hvis man ikke overholder denne regelen, kan det føre til død eller alvorlig skade.

**PASS PÅ!**

Hvis man ikke overholder denne regelen, kan det føre til materielle skader og skade funksjonen til produktet.

**MERK**

Utfyllende informasjon om bruk av produktet.

## 2 Generelle sikkerhetsregler

### 2.1 Generell sikkerhet

Produsenten tar i følgende tilfeller intet ansvar for skader:

- Montasje- eller tilkoblingsfeil
- Skader på produktet på grunn av mekanisk påvirkning og overspenninger
- Endringer på produktet uten at det er gitt uttrykkelig godkjenning av produsenten
- Bruk til andre formål enn det som er beskrevet i veiledningen

Overhold følgende grunnleggende sikkerhetsregler ved bruk av elektriske apparater for å beskytte mot:

- Elektrisk støt
- Brannfare
- Skader

## 2.2 Grunnleggende sikkerhet



### FARE!

- Bruk i tilfelle brann et brannslukningsapparat som er egnet for elektriske apparater.



### ADVARSEL!

- Bruk apparatet kun til det det er beregnet for.
- Pass på at du **ikke** berører den røde og den svarte klemmen.
- Koble apparatet fra strømmettet.
  - før rengjøring og stell
- Hvis du demonterer apparatet:
  - Løsne alle forbindelsene.
  - Forsikre deg om at alle inn- og utganger er spenningsfrie.
- Hvis apparatet eller tilkoblingskabelen har synlige skader, må det ikke brukes.
- Hvis tilkoblingskabelen på dette apparatet blir skadet, må den erstattes av produsent, kundeservice eller annen kvalifisert person for å unngå farlige situasjoner.
- Reparasjoner på dette apparatet må kun utføres av fagfolk. Feil reparasjoner kan føre til betydelige skader.
- Dette apparatet kan brukes av barn fra 8 år og oppover, og av personer med nedsatte fysiske, sensoriske eller mentale evner eller manglende erfaring og/eller kunnskap, når de er under oppsikt eller har fått opplæring i sikker bruk av apparatet og hvilke farer som er forbundet med det.
- **Elektriske apparater er ikke beregnet for barn!**
  - Oppbevar og bruk apparatet utenfor barns rekkevidde.
- Barn skal være under tilsyn for å sikre at de ikke leker med apparatet.



### PASS PÅ!

- Før igangsetting må du sammenligne spenningsspesifikasjonene på merkeskiltet med tilgjengelig strømtilførsel.
- Påse at andre gjenstander **ikke** forårsaker kortslutning på kontaktene til apparatet.
- Trekk aldri støpslet ut av stikkontakten etter ledningen.
- Lagre apparatet på et tørt og kjølig sted.

## 2.3 Sikkerhet ved montering av apparatet



### FARE!

- Ikke monter apparatet på steder hvor det er fare for gass- eller støveksplosjon.



### FORSIKTIG!

- Pass på at det står stødig!  
Apparatet må stå stødig og festes slik at det ikke kan velte eller falle ned.



### PASS PÅ!

- Utsett ikke apparatet for varmekilder (solstråling, oppvarming osv.). Unngå ekstra oppvarming av apparatet.
- Sett apparatet på et tørt sted som ikke er utsatt for vannsprut.

## 2.4 Sikkerhet ved elektrisk tilkobling av apparatet



### FARE! Livsfare ved strømstøt!

- Når du arbeider på elektriske anlegg, forsikre deg om at det er noen i nærheten som kan hjelpe deg i et nødstilfelle.



### ADVARSEL!

- Sørg for tilstrekkelig ledningstverrsnitt.
- Legg ledningene slik at de ikke skades av dører eller motorpanser. Kabler i klem kan føre til livsfarlige skader.



### FORSIKTIG!

- Legg ledningene slik at man ikke snubler i dem og slik at man unngår å skade kabelen.



### PASS PÅ!

- Bruk tomme rør eller ledningsgjennomføringer når ledninger må føres gjennom platevegger eller andre vegger med skarpe kanter.
- Legg **ikke** 230 V nettledningen og 12 V likestrømsledningen sammen i den samme kabelkanalen (tomt rør).
- Legg **ikke** ledningene løst eller med skarpe bøyser.
- Fest ledningene godt.
- Ikke trekk i ledninger.

## 2.5 Sikkerhet ved bruk av apparatet



### FARE! Livsfare ved strømstøt!

- Ta ikke i bare ledninger med bare hender.



### ADVARSEL!

- Bruk apparatet kun i lukkede, godt ventilerte rom.



### FORSIKTIG!

- Bruk **ikke** apparatet
  - På saltholdige, fuktige eller våte steder
  - I nærheten av aggressive damper
  - I nærheten av brennbare materialer
  - Der det er eksplosjonsfare.
- Før du tar apparatet i bruk, må du passe på at ledningen og støpslet er tørre.
- Ved arbeid på apparatet må man alltid avbryte strømforsyningen.
- Vær oppmerksom på at deler av apparatet fortsatt er under spenning også etter at beskyttelsesanordningen (sikring) er utløst.
- Ikke løsne noen kabler mens apparatet fortsatt er i drift.



### PASS PÅ!

- Pass på at lufteråpningene på apparatet ikke blir blokkert.
- Pass på at du har god lufting.

## 3 Leveringsomfang

Pos. i fig. <b>1</b>	Betegnelse
1	Sinus vekselretter
2	Tilkoblingskabel med jordet kobling (for 230 V~ utgang)
3	Tilkoblingskabel med jordet støpsel (for 230 V~ forsyning)
–	Bruksanvisning

## 4 Tilbehør

Betegnelse	Art.-nr.
Fjernkontroll	9600002564
Energimonitor	9600002565

## 5 Målgruppen for denne veiledningen

De kapittel «Koble til vekselretteren» på side 225 henvender seg kun til fagfolk som kjenner de tilhørende VDE-retningslinjene.

Alle de andre kapitlene henvender seg også til de som bruker apparatet.

## 6 Forskriftsmessig bruk



### ADVARSEL!

Vekselretteren må ikke brukes på kjøretøyer hvor plusspolen til batteriet er koblet til sjassiet.

Vekselretterne omformer likespenning til en 230 – 240 V vekselspanning på 50 eller 60 Hz:

- **12 V $\overline{=}$** : DSP1312T, DSP1812T, DSP2312T, DSP3512T
- **24 V $\overline{=}$** : DSP1324T, DSP1824T, DSP 2324T, DSP3524T

## 7 Teknisk beskrivelse

Vekselretterne kan brukes overalt hvor det er likestrømskontakt.

- **12 V $\overline{=}$** : DSP1312T, DSP1812T, DSP2312T, DSP3512T
- **24 V $\overline{=}$** : DSP1324T, DSP1824T, DSP 2324T, DSP3524T

Den lave vekten og den kompakte konstruksjonen gjør at dette apparatet enkelt kan monteres i bobiler, nyttekjøretøy eller motor- og seilbåter.

Utgangsspenningen tilsvarer vanlig spenning fra stikkkontakten (ren sinusspanning, forvrengning <3 %).

Ta hensyn til verdien for kontinuerlig utgangseffekt og spisseffekt, slik de er oppgitt i kapittel «Tekniske data» på side 233. Apparater som har et større effektbehov, må ikke kobles til.

**MERK**

Ved tilkobling av apparater med elektrisk starter (f.eks. bormaskiner, kjøleskap osv.) må man være oppmerksom på at disse trenger høyere effekt for å starte enn det som er angitt på typeskiltet.

Vekselretteren har forskjellige beskyttelsesmekanismer:

- **Overspenningsvern:** Vekselretteren slås av når spenningsverdien stiger over utkoblingsverdien. Den starter igjen når spenningen på nystart-verdien synker.
- **Underspenningsvern:** Vekselretteren slås av når spenningsverdien synker under utkoblingsverdien. Den starter igjen når spenningen på nystart-verdien stiger.
- **Overtemperaturvern:** Vekselretteren slås av når temperaturen inne i apparatet eller temperaturen på kjøleelementet stiger over en utkoblingsverdi. Den starter igjen når spenningen på nystart-verdien stiger.
- **Overbelastningsvern og kortslutningsvern:** LED-en på vekselretteren melder fra om en driftssvikt hvis det er koblet til en for stor last eller det har oppstått en kortslutning. Apparatsikringen må slås på igjen manuelt etter at det er blitt koblet ut på grunn av overstrøm.

**MERK**

Du finner de enkelte koblingsverdiene i kapittel «Tekniske data» på side 233.

Vekselretteren kan brukes på følgende nett:

- **TN-nett:**  
Vekselretterens nøytralleder er forbundet med jord. En nedstrøms jordfeilstromvernebryter må være installert.
- **IT-nett:**  
Begge faser er isolert. Dette er egnet for drift av en forbruker. Hvis det tilkobles mer enn én forbruker må det utvikles et beskyttelseskonsept (f.eks. isolasjonsvoktere).

Nettformen konfigureres via en DIP-bryter på apparatet.

Vekselretterne DSP13xxT, DSP18xxT, DSP23xxT har en tilkoblingskabel med stikkontakt og plugg som er fast montert på apparatet. Vekselretteren DSP35xxT kobles direkte til tilkoblingsklemmene via PG-skruforbindelser.

Ved hjelp av fasesynkroniseringen tilpasser vekselretteren seg til fasestillingen til AC-inngangsspenningen. Dette forhindrer spenningstopper ved omkobling fra batteri-til nettspenning.

Vekselretteren egner seg for drift av ømfintlige forbrukere fordi utgangsspenningen er en ren sinuskurve.

Vekselretteren har en prioritetskobling. Hvis det eksisterer ekstern 230 V~ -spenning, blir denne prioritert brukt. Når det ikke finnes noen ekstern 230 V~ -spenning, brukes det tilkoblede batteriet til spenningsforsyning.

Vekselretteren har en energisparemodus, den kan kobles til slik at batteriene som er koblet til ikke blir ladet ut for raskt.

Vekselretteren kan slås av og på med en fjernkontroll (**tilbehør**).

I tillegg kan vekselretteren styres med en energimonitor (**tilbehør**).

## 7.1 Betjeningselementer

Pos. i fig. <b>2</b>	Betegnelse	Beskrivelse
1	Hovedbryter	<b>O</b> : Slår apparatet av permanent <b>I</b> : Slår apparatet på permanent <b>II</b> : Apparatet kan slås av og på med en fjernkontroll ( <b>tilbehør</b> )
2	Status-LED	Se kapittel «Varsellamper» på side 228
3	Sikring	Beskytter vekselretteren mot overbelastning. Sikringen kan trykkes inn igjen etter at den er blitt utløst.
4	DIP-bryter	Utfører innstillinger på vekselretteren Se kapittel «Innstilling av vekselretter» på side 229



## 7.2 Kontakter



### MERK

Illustrasjonen viser versjonen for det europeiske kontinentet.

Pos. i fig. <b>2</b>	Beskrivelse
5	230 V~ inngang ( <b>DSP 35xxT</b> : PG-skruforbindelse)
6	230 V~ utgang ( <b>DSP 35xxT</b> : PG-skruforbindelse)
7	Jordklemme (jording på kjøretøykarosseriet)
8	Pluss-klemme
9	Minus-klemme
10	CI/LIN-BUS-kontakter (LINA)
11	Kontakt for fjernkontroll (LINB)
12	Kontakt for fjernbryter
13	Vifte (bakside)

## 8 Montere vekselretter



### MERK

Før du monterer vekselretteren, må du koble til alle kablene slik at alle kontaktene er fritt tilgjengelige.

### 8.1 Nødvendig verktøy

For **elektrisk tilkobling** trenger du følgende hjelpemidler:

- Krympetang
- 3 fleksible tilkoblingskabler i forskjellige farger. Det påkrevde tverrsnittet finner du i tabellen i kapittel «Koble til vekselretteren» på side 225.
- Kabelsko og kabelhylser

For **festing** av vekselretteren trenger du følgende festemidler:

- Maskinskruer (M4) med underlagsskiver og selvfestende muttere eller
- Plate- eller treskruer.

## 8.2 Råd for montering

Pass på følgende ved valg av monteringssted:

- Montering av vekselretteren kan foretas enten horisontalt eller vertikalt.
- Vekselretteren må monteres på et sted som er beskyttet mot fuktighet.
- Vekselretteren må ikke brukes i omgivelser hvor det er lettantennelige materialer.
- Vekselretteren må ikke brukes i støvete omgivelser.
- Monteringsstedet må være godt luftet. Ved installasjon i lukkede rom, må man sørge for skikkelig lufting. Det må være et fritt område rundt vekselretteren på minst 5 cm (fig. **3**).
- Lufteåpningene på for- og baksiden til vekselretteren må holdes frie.
- Ved omgivelsestemperaturer som ligger over 40 °C (f.eks. i motor- eller varmerom, ved direkte sollys), kan vekselretteren slå seg av selv om effekten til den tilkoblede forbrukeren ligger under nominell last (derating).
- Montasjeflaten må være plan og sterk nok.



### **PASS PÅ!**

Før du borer noe som helst, må du forsikre deg om at ingen elektriske kabler eller andre deler på kjøretøyet kan skades av boring, saging og filing.

## 8.3 Montering av vekselretteren

- Monter vekselretteren som vist (fig. **4**).

## 9 Koble til vekselretteren

### 9.1 Generelle råd



#### ADVARSEL!

- Tilkobling av vekselretteren må kun gjøres av fagfolk. Den følgende informasjonen er beregnet på fagfolk som er fortrolig med relevante retningslinjer og sikkerhetstiltak.
- På kjøretøy hvor plusspolen på batteriet er forbundet med chassiset, må vekselretten **ikke** benyttes.
- Hvis du ikke setter en sikring i **pluss-ledningen** til batteriet, kan ledningene bli overbelastet og det kan oppstå en brann.

- Ved installasjon i kjøretøy eller båter må vekselretteren være koblet til sjassiet hhv. jord.
- Når man fester en stikkontaktfordelerkrets (nettoppbygging) må man følge forskriftene i VDE 0100.
- Bruk kun kopperkabel.
- Sørg for at kabelen er så kort som mulig (< 1 m).
- Bruk en kabel med minimumstverrsnitt på 4 mm<sup>2</sup> til jording.
- Overhold det påkrevde kabeltverrsnittet og sett inn en kabelsikring (fig. **6** 1) på pluss-ledningen så nær batteriet som mulig (se tabell).

Apparat	Nødvendig kabeltverrsnitt	Kabelsikring
DSP1312T	35 mm <sup>2</sup>	200 A
DSP1324T	25 mm <sup>2</sup>	150 A
DSP1812T	50 mm <sup>2</sup>	250 A
DSP1824T	25 mm <sup>2</sup>	150 A
DSP2312T	70 mm <sup>2</sup>	300 A
DSP2324T	35 mm <sup>2</sup>	200 A
DSP3512T	2 x 50 mm <sup>2</sup>	2 x 250 A
DSP3524T	50 mm <sup>2</sup>	250 A

## 9.2 Tilkoble vekselretter



### ADVARSEL!

Før tilkobling av vekselspenningsutgangsledningen må du forsikre deg om at vekselretteren er slått av med hovedbryteren.



### PASS PÅ!

Pass på at du ikke bytter polaritet. Feil polaritet kan skade vekselretteren.



### MERK

Trekk til skruene eller mutrene med et dreiemoment på 15 Nm. Løse forbindelser kan føre til overoppheting.

- Tilkoble vekselretteren som vist:
  - Koble til batteri: fig. **5** og fig. **6**
  - Tilkoble jordklemme: fig. **7**
  - Koble til 230 V-tilførselsledning: fig. **8** (INPUT)
  - Koble til 230 V-utgangsledning: fig. **8** (OUTPUT)

## 9.3 Koble til flere forbrukere

Ved levering er apparatet utstyrt med galvanisk skille. For sikker drift av flere forbrukere er det absolutt nødvendig at det monteres inn en jordfeilbryter i stikkontaktfordelerkursen.

- Monter en jordfeilbryter inn i stikkontaktfordelerkursen.

## 9.4 Koble til fjernkontroll (tilbehør)



### PASS PÅ!

Sett fjernstyringens tilkobling kun inn i Remote-porten. Apparatet kan bli skadet ved feil tilkobling.

- Koble til fjernkontrollen som vist (fig. **9**).

## 9.5 Koble til ekstern bryter for inn- og utkobling



### MERK

Bruk kabler med kabeldiameter på 0,25 – 0,75 mm<sup>2</sup>.

Du kan bruke følgende som ekstern bryter:

- Ekstern bryter, spenningstilførsel fra vekselretteren: fig. **10** A
  - Styreenhet med relé- eller transistorkobling (TR): fig. **10** B
  - Ekstern bryter med spenningstilførsel via batteriet (BAT) til kjøretøyet: fig. **10** C
  - Ekstern bryter med egen spenningstilførsel (DC POWER), f.eks. fra tenningen: fig. **10** D
- Still hovedbryteren (fig. **2** 1) på «OFF».
  - Kontroller at kontakten for fjernkontrollen (fig. **2** 11) ikke er i bruk.
  - Still hovedbryteren (fig. **2** 1) på «REMO.».
  - Koble den eksterne av/på-bryteren med tilkoblingskabelen på klemmen (fig. **2** 12).

## 9.6 Koble til relé

Du kan koble til et relé som viser om 230 V-inngangen er tilkoblet. Du kan f.eks. realisere en kjøresperre slik at kjøretøyet ikke kan begynne å kjøre når 230 V-inngangen er tilkoblet.

- Koble til reléet som vist (fig. **11**):
  - NO (Normally Open): Arbeidskontakt
  - COM (Common): Vekselkontakt
  - NC (Normally Closed): Hvilekontakt

Spesifikasjon for reléet:

Maksimumsspenning	Last	Strømforbruk	
		NO	NC
250 V?	Ohmsk	0,5 A	0,5 A
12 V/24 V $\overline{=}$	Ohmsk	1 A	1 A

## 10 Bruk av vekselretteren

### 10.1 Slå på vekselretteren

- Still inn hovedbryteren (fig. **2** 1) til vekselretteren som følger:
  - «**0**»: for å slå vekselretteren permanent av
  - «**I**»: for å slå vekselretteren permanent på
  - «**II**»: for å kunne slå vekselretteren av og på med en fjernkontroll (**tilbehør**)
- Vekselretteren utfører en selvtest når den slås på.
- ✓ Etter en vellykket selvtest lyser LED-en blått (fig. **2** 2).

### 10.2 Varsellamper

Den blå LED-en (fig. **2** 2) viser driftsstatusen til vekselretteren.

Indikering	Inngangsspennning
Lyser kontinuerlig	Normal drift
Lang blinking, kort pause	Vekselretter overopphetet / overbelastning
Hurtig blinking	Overspenning/underspenning
Kort blinking, langt avbrudd	Isolasjonsvokter har koblet ut vekselretteren
Av	Andre feil

Vekselretteren slår seg av hvis:

- Batterispenningen synker under 10 V (12 V $\text{---}$ -tilkobling) eller 20 V (24 V $\text{---}$ -tilkobling).
  - Batterispenningen stiger over 16,5 V (12 V $\text{---}$ -tilkobling) eller 33 V (24 V $\text{---}$ -tilkobling).
  - Vekselretteren blir overbelastet.
  - Vekselretteren blir overopphetet.
- Hvis dette skjer, slår du av vekselretteren med hovedbryteren (fig. **2** 1).
  - Kontroller om vekselretteren er nok luftet og om vifteåpningene og luftenåpningene er åpne.
  - Vent ca. 5 – 10 min og slå på vekselretteren igjen uten forbrukere.

### 10.3 Stille inn energisparemodus



#### MERK

Energisparemodus kan bare slås av og på med en fjernkontroll.

### 10.4 Innstilling av vekselretter

Du kan tilpasse apparatet med DIP-bryteren (fig. **2** 4).

#### Fastsett innstillinger

Med DIP-bryteren S1 kan du fastsette om innstillingen av parametrene skal utføres via kontakten til et betjeningsfelt med CI-BUS-kapasitet eller med DIP-bryterne.

Parameter	DIP-bryter
	S1
Tilkobling for fjernkontroll	Av
DIP-bryter	På

#### Innstilling av nettspenning

Du kan stille inn nettspenningen med DIP-bryteren S2.

Nettspenning	DIP-bryter
	S2
230 V/50 Hz	Av
240 V/60 Hz	På

## Stille inn energisparemodus

Du kan stille inn energisparemodus med DIP-bryterne S3 og S4. På denne måten utlades ikke batteriet som du kobler vekselretteren til så fort.

Da arbeider vekselretteren i energisparemodus så lenge den forbrukte effekten ligger under innstilt effektverdi. Når nødvendig effekt ligger over den innstilte effektverdien, arbeider vekselretteren i normal drift.

Du finner verdiene som skal stilles inn for din vekselretter i følgende tabell:

Energisparemodus	DIP-bryter	
	S3	S4
Energisparemodus aktivert når last < 45 W Normalmodus aktivert når last > 45 W	Av	Av
Energisparemodus aktivert når last < 1 W Vekselretter slår av automatisk etter 20 min. i drift i energisparemodus Normalmodus aktivert når last > 1 W	På	Av
Energisparemodus aktivert når last < 1 W Normalmodus aktivert når last > 1 W	Av	På
Energisparemodus aktivert når last $\geq$ 45 W Vekselretter slår av automatisk etter 20 min. i drift i energisparemodus Normalmodus aktivert når last > 45 W	På	På



## Stille inn nettform

Med DIP-bryteren S5 kan du fastlegge i hvilken nettform vekselretteren skal brukes.

Parameter	DIP-bryter
	S5
TN-nett En ekstern, nedstrøms <b>jordfeilstrom- vernebryter er nødvendig.</b>	Av
IT-nett Drift med kun én forbruker eller installasjon av en ekstern isolasjonsvokter.	På

**Ta hensyn til nasjonale standarder!**

## 11 Stell og rengjøring av vekselretteren



### PASS PÅ!

Bruk ikke skarpe eller harde gjenstander eller rengjøringsmidler til rengjøring, da det kan skade produktet.

- Rengjør produktet regelmessig med en fuktig klut.

## 12 Feilsøking



### ADVARSEL!

Åpne ikke apparatet. Du kan få elektrisk støt!



### MERK

Ved detaljerte spørsmål om **data** for **vekselretteren** kan du ta kontakt med produsenten (adressen finner du på baksiden av veiledningen).

LED-en (fig. **2** 2) indikerer feilen:

Lysdiodeindikering	Årsak	Tiltak
Hurtig blinking	For høy inngangsspenning	Kontroller inngangsspenningen og reduser denne.
	For lav inngangsspenning	Batteriet må etterlades. Kontroller ledningene og forbindelsene.
2 sek belysning, kort pause	Termisk overbelastning	Slå av vekselretteren og forbrukeren. Vent ca. 5 – 10 min og slå på vekselretteren igjen uten forbrukere. Reduser belastningen og sørg for bedre lufting av vekselretteren. Slå på forbrukeren igjen.
	For høy belastning	Slå av vekselretteren og fjern forbrukeren. Slå på vekselretteren uten forbruker igjen. Hvis for høy belastning ikke indikeres lenger nå, er det kortslutning på forbrukeren eller den totale belastningen var høyere enn effekten som var spesifisert i databladet. Kontroller ledningene og forbindelsene. Trykk apparatsikringen inn igjen.
Av	Andre feil	Ta kontakt med kundeservice.

## 13 Garanti

Lovmessig garantitid gjelder. Hvis produktet skulle være defekt, kontakter du produsentens filial i ditt land (du finner adressene på baksiden av veiledningen) eller til din faghandler.

Ved henvendelser vedrørende reparasjon eller garanti, må du sende med følgende dokumentasjon:

- kopi av kvitteringen med kjøpsdato,
- årsak til reklamasjonen eller beskrivelse av feilen.

## 14 Avfallsbehandling



► Lever emballasje til resirkulering så langt det er mulig.



Når du tar produktet ut av drift for siste gang, må du sørge for å få informasjon om deponeringsforskrifter hos nærmeste resirkuleringsstasjon eller hos din faghandler.

## 15 Tekniske data

Følgende tekniske data gjelder for alle vekselrettere:

Utgangsspenning:	230/240 V~ ± 3 %, ren sinuskurve (forvringning <3 %)
Utgangsfrekvens:	50/60 Hz ± 0,3 Hz
Varmeavgang:	temperatur- og belastningsstyrt ventilator
Omgivelsestemperatur drift:	-20 °C til +60 °C
Omgivelsestemperatur lagring:	-30 °C til +70 °C
Effektregulering:	≥40 °C
Forbikoblingsrelé:	16 A/250 V~
Forbikobling med spenningssynkronisering:	<20 ms
Luftfuktighet:	0 – 95 %, ikke kondenserende
Test/sertifikat:	 

	<b>DSP1312T</b>	<b>DSP1812T</b>	<b>DSP1324T</b>	<b>DSP1824T</b>
Art.nr.:	9600002551	9600002553	9600002552	9600002554
Nominell inngangsspenning:	12 V $\overline{=}$		24 V $\overline{=}$	
Inngangsspenningsområde:	10 – 16,5 V $\overline{=}$		20 – 33 V $\overline{=}$	
Nominell effekt:	1200 W	1800 W	1200 W	1800 W
Maks. effekt i 10 min:	1300 W	1800 W	1300 W	1800 W
Maks. effekt i 3 min:	1380 W	2070 W	1380 W	2070 W
Støteffekt i 2 sek:	2400 W	3600 W	2400 W	3600 W
Tomgangsstrømforbruk:	2,5 A	2,5 A	1,3 A	1,3 A
Standby-strømforbruk ved nominell spenning:	< 0,2 A	< 0,2 A	< 0,1 A	< 0,1 A
Virkningsgrad:	> 89 %		> 90 %	
Lasttilpasning ved inngangsspenning mellom 10,0 V og 10,5 V:	1020 W	1530 W	1020 W	1530 W
Lasttilpasning ved temperaturer over 40 °C:	1,75 % av den nominelle effekten per grad over 40 °C			
Mål B x L x H:	fig. <b>15</b>			
Vekt:	4,8 kg	6,1 kg	4,8 kg	6,1 kg

	<b>DSP2312T</b>	<b>DSP3512T</b>	<b>DSP2324T</b>	<b>DSP3524T</b>
Art.nr.:	9600002555	9600002557	9600002556	9600002558
Nominell inngangsspenning:	12 V $\overline{=}$		24 V $\overline{=}$	
Inngangsspenningsområde:	10 – 16,5 V $\overline{=}$		20 – 33 V $\overline{=}$	
Nominell effekt:	2000 W	3000 W	2000 W	3000 W
Maksimal effekt for 10 min. ( $U_{IN} > 12,5$ V):	2300 W	3500 W	2300 W	3500 W
Maksimal effekt for 3 min. ( $U_{IN} > 10,5$ V):	2300 W	3500 W	2300 W	3500 W
Støtteffekt i 2 sek:	4000 W	6000 W	4000 W	6000 W
Tomgangsstrømforbruk:	2,8 A	3,6 A	1,4 A	1,8 A
Standby-strømforbruk ved nominell spenning:	< 0,2 A	< 0,2 A	< 0,15 A	< 0,15 A
Virkningsgrad:	> 89 %		> 90 %	
Lasttilpasning ved inngangsspenning mellom 10,0 V og 10,5 V:	1700 W	2600 W	1700 W	2600 W
Lasttilpasning ved temperaturer over 40 °C:	1,75 % av den nominelle effekten per grad over 40 °C			
Mål B x L x H:	fig. <b>15</b>			
Vekt:	6,6 kg	10,9 kg	6,6 kg	10,9 kg

**Beskyttelsesinnretninger**

	<b>12 V</b>	<b>24 V</b>
Inngang:	Underspenning, forpolingsvern (intern sikring)	
Vekselstrømsutgang:	Overspenning, kortslutning, overbelastning	
AC-inngang:	16 A-jordfeilbryter	
Temperatur:	Utkobling	
Kortslutningsvern:	Ja, lpk	

**Overspenningsvern**

<b>Apparat</b>	<b>Overspenning</b>	
	<b>Utkobling</b>	<b>Ny start</b>
DSP1312T, DSP1812T, DSP2312T, DSP3512T	16,5 V	15,5 V
DSP1324T, DSP1824T, DSP2324T, DSP3524T	33 V	31 V

**Underspenningsvern**

<b>Apparat</b>	<b>Underspenning</b>	
	<b>Utkobling</b>	<b>Ny start</b>
DSP1312T, DSP1812T, DSP2312T, DSP3512T	10 V	12 V
DSP1324T, DSP1824T, DSP2324T, DSP3524T	20 V	24 V

Den aktuelle EU-konformitetserklæringen for ditt apparat får du på den respektive produktsiden på [dometic.com](http://dometic.com) eller direkte via produsenten (se baksiden).

**Lue tämä ohje huolellisesti läpi ennen asennusta ja käyttöönottoa ja säilytä ohje hyvin. Jos myyt tuotteen eteenpäin, anna ohje tällöin edelleen uudelle käyttäjälle.**

## Sisällysluettelo

1	Symbolien selitykset . . . . .	238
2	Yleisiä turvallisuusohjeita . . . . .	238
3	Toimituskokonaisuus. . . . .	241
4	Lisävarusteet . . . . .	242
5	Tämän käyttöohjeen kohderyhmä . . . . .	242
6	Tarkoituksenmukainen käyttö . . . . .	242
7	Tekninen kuvaus . . . . .	242
8	Invertterin asentaminen . . . . .	245
9	Invertterin liittäminen . . . . .	247
10	Invertterin käyttäminen . . . . .	250
11	Invertterin hoito ja puhdistus . . . . .	253
12	Vianetsintä . . . . .	254
13	Tuotevastuu . . . . .	255
14	Hävittäminen . . . . .	255
15	Tekniset tiedot . . . . .	255

# 1 Symbolien selitykset

**VAARA!**

**Turvallisuusohje:** Huomiotta jättäminen aiheuttaa hengenvaaran tai vakavan loukkaantumisen.

**VAROITUS!**

**Turvallisuusohje:** Huomiotta jättäminen voi aiheuttaa hengenvaaran tai vakavan loukkaantumisen.

**HUOMAUTUS!**

Huomiotta jättäminen voi johtaa materiaalivaurioihin ja haitata tuotteen toimintaa.

**OHJE**

Tuotteen käyttöä koskevia lisätietoja.

## 2 Yleisiä turvallisuusohjeita

### 2.1 Yleinen turvallisuus

Valmistaja ei ota mitään vastuuta vahingoista seuraavissa tapauksissa:

- asennus- tai liitäntävirheet
- tuotteeseen mekaanisen vaikutuksen tai ylijännitteiden takia syntyneet vauriot
- tuotteeseen ilman valmistajan nimenomaista lupaa tehdyt muutokset
- käyttö muuhun kuin käyttöohjeessa ilmoitettuun tarkoitukseen

Noudata seuraavia perustavia turvatoimenpiteitä käyttäessäsi sähköllä toimivia laitteita. Tämä suojelee sinua:

- sähköiskulta
- palovaaralta
- loukkaantumiselta



## 2.2 Perusturvallisuus



### VAARA!

- Käytä tulipalon sattuessa palonsammutinta, joka sopii sähkölaitteiden sammuttamiseen.



### VAROITUS!

- Käytä laitetta ainoastaan sen määräysten mukaiseen tarkoitukseen.
- Pidä huoli, ettei punaiset ja mustat liittimet **koskaan** kosketa toisiaan.
- Irrota laite verkosta
  - ennen jokaista puhdistusta tai huoltoa
- Jos irrotat laitteen:
  - Irrota kaikki liitännät.
  - Varmista, että kaikki tulot ja lähdöt ovat jännitteettömiä.
- Laitetta ei saa ottaa käyttöön, jos laitteessa tai sen liitintä johdoissa on näkyviä vaurioita.
- Jos tämän laitteen liitintäjohto vaurioituu, tulee valmistajan tai valtuutetun asiakaspalvelun tai vastaavasti pätevän henkilön vaihtaa se vaaran välttämiseksi.
- Ainoastaan ammattilaiset saavat korjata tätä laitetta. Epäasianmukaisista korjauksista saattaa aiheutua huomattavia vaaroja.
- 8-vuotiaat tai sitä vanhemmat lapset sekä henkilöt, joiden fyysiset, sensoriset tai psyykkiset kyvyt ovat rajoittuneita tai jotka ovat kokemattomia ja/tai tietämättömiä, voivat käyttää tätä laitetta valvonnan alaisina tai kun heille on opetettu laitteen turvallinen käyttö ja he ovat ymmärtäneet siitä aiheutuvat vaarat.
- **Sähkölaitteet eivät ole lasten leluja!**  
Säilytä ja käytä laitetta lasten ulottumattomissa.
- Lapsia tulee valvoa sen varmistamiseksi, etteivät he leiki laitteella.



### HUOMAUTUS!

- Vertaa tyyppikilven jännitetietoja käytettävissä olevaan energiansyöttöön ennen käyttöön ottamista.
- Huolehdi siitä, että mitkään esineet **eivät** aiheuta oikosukua laitteen kontakteihin.
- Älä ota pistoketta koskaan pois pistorasiasta johdosta vetämällä.
- Säilytä laitetta kuivassa ja viileässä paikassa.

## 2.3 Turvallisuus laitteen asentamisen yhteydessä



### VAARA!

- Älä asenna laitetta paikkoihin, joissa on olemassa kaasu- tai pölyräjähdysvaara.



### HUOMIO!

- Huomaa tukeva seisonta!  
Laitte täytyy sijoittaa ja kiinnittää niin vakaasti, että se ei voi kaatua tai pudota.



### HUOMAUTUS!

- Älä aseta laitetta alttiiksi millekään lämpölähteelle (auringonpaiste, lämmitys jne.). Vältä näin laitteen lisälämpenemistä.
- Aseta laite kuivaan ja roiskevedeltä suojattuun paikkaan.

## 2.4 Turvallisuus laitteen sähköliitännässä



### VAARA! Sähköiskusta johtuva hengenvaara!

- Kun työskentelet sähköisten laitteiden kanssa, varmista, että joku on avuntarpeen tullen lähellä.



### VAROITUS!

- Huolehdi siitä, että johtojen poikkipinta-ala on riittävä.
- Vedä johtimet siten, että ovet tai konepellit eivät voi vahingoittaa niitä. Rusentuneet johdot voivat johtaa hengenvaarallisiin vammoihin.



### HUOMIO!

- Vedä johtimet siten, että niihin ei voi kompastua ja että johdon vaurioitumisen mahdollisuus on pois suljettu.



### HUOMAUTUS!

- Käytä putkia tai läpivientiholkkeja, jos johtimia täytyy vetää peltiseinien tai muiden teräväreunaisten seinien läpi.
- **Älä** aseta 230 V -verkkojohtoa ja 12 V -tasavirtajohtoa samaan johtokanavaan (putkitus).
- Johtimia **ei** saa asettaa löysälle tai teräville taitteille.
- Kiinnitä johtimet hyvin.
- Älä kisko johtimista.

## 2.5 Laitteen käyttöturvallisuus



### VAARA! Sähköiskusta johtuva hengenvaara!

- Älä kosketa avojohtimia koskaan paljain käsin.



### VAROITUS!

- Käytä laitetta ainoastaan suljetuissa, hyvin tuuletetuissa tiloissa.



### HUOMIO!

- Laitetta **ei** saa käyttää
  - suolapitoisessa, kosteassa tai märässä ympäristössä.
  - aggressiivisten höyryjen lähellä
  - palavien materiaalien lähellä
  - räjähdysvaarallisilla alueilla.
- Huolehdi ennen laitteen käyttöönottoa siitä, että johto ja pistoke ovat kuivia.
- Katkaise virransyöttö aina laitetta koskevien töiden ajaksi.
- Huomaa, että osa laitteesta voi jäädä jännitteiseksi myös suojalaitteiston (sulake) laukeamisen jälkeen.
- Älä irrota mitään johtoja, kun laite on vielä toiminnassa.



### HUOMAUTUS!

- Huolehdi siitä, että laitteen ilmantulo- ja -poistaukkoja ei peitetä.
- Huolehdi hyvästä tuuletuksesta.

## 3 Toimituskokonaisuus

Kohta – kuva <b>1</b>	Nimitys
1	Sini-invertteri
2	Liitäntäjohto suojapistorasialla (230 V~ -lähtöön)
3	Liitäntäjohto suojapistokkeella (230 V~ -syöttöön)
–	Käyttöohje

## 4 Lisävarusteet

Nimitys	Tuotenro
Kauko-ohjain	9600002564
Virtamonitori	9600002565

## 5 Tämän käyttöohjeen kohderyhmä

Kohta kap. "Invertterin liittäminen" sivulla 247 on tarkoitettu yksinomaan ammattilaisille, joille vastaavat VDE-direktiivit ovat tuttuja.

Kaikki muut kappaleet on tarkoitettu laitteen käyttäjälle.

## 6 Tarkoituksenmukainen käyttö



### VAROITUS!

Invertteriä ei saa käyttää ajoneuvoissa, joiden akun plus-napa on yhdistetty runkoon.

Inverttereitä käytetään tasajännitteen muuntamiseen 230 – 240 V-vaihtojännitteeksi, jonka taajuus on 50 Hz tai 60 Hz:

- **12 V<sub>DC</sub>**: DSP1312T, DSP1812T, DSP2312T, DSP3512T
- **24 V<sub>DC</sub>**: DSP1324T, DSP1824T, DSP2324T, DSP3524T

## 7 Tekninen kuvaus

Inverttereitä voidaan käyttää kaikkialla, missä on DC-tasavirtaliitäntä.

- **12 V<sub>DC</sub>**: DSP1312T, DSP1812T, DSP2312T, DSP3512T
- **24 V<sub>DC</sub>**: DSP1324T, DSP1824T, DSP2324T, DSP3524T

Laitteen keveyden ja kompaktin rakenteen ansiosta se voidaan asentaa ongelmitta matkailuautoihin, hyötyajoneuvoihin sekä moottori- tai purjeverneisiin.

Lähtöjännite vastaa kotitalouksien pistorasian jännitettä (puhdas sinimuotoinen jännite, särökerroin <3 %).

Ole hyvä ja noudata jatkuvaa lähtötehoa ja huippulähtötehoa koskevia arvoja, jotka ilmoitetaan kappaleessa kap. "Tekniset tiedot" sivulla 255. Laitteeseen ei saa liittää laitteita, joiden tehontarve on tätä suurempi.

**OHJE**

Huomaa moottoroituja sähkölaitteita liittäessäsi (esim. porakone, jääkaappi jne.), että nämä tarvitsevat käynnistyäkseen usein suuremman tehon kuin mitä tyyppikilvessä ilmoitetaan.

Invertterissä on erilaisia suojamekanismeja:

- **Ylijännitesuoja:** Invertteri kytkeytyy pois päältä, jos jännitearvo kohoaa katkaisuarvoa suuremmaksi. Se käynnistyy jälleen, kun jännite laskee uudelleenkäynnistysarvoon.
- **Alijännitesuoja:** Invertteri kytkeytyy pois päältä, jos jännitearvo laskee katkaisuarvoa alemmaksi. Se käynnistyy jälleen, kun jännite nousee uudelleenkäynnistysarvoon.
- **Ylikuumentamisuoja:** Invertteri kytkeytyy pois päältä, jos lämpötila laitteen sisällä tai jäähdytyselementin lämpötila kohoaa yli katkaisuarvon. Se käynnistyy jälleen, kun jännite nousee uudelleenkäynnistysarvoon.
- **Ylikuormitusuoja ja oikosulkuoja:** Invertterin LED ilmaisee toimintahäiriön, jos liitetty kuorma on liian suuri tai on syntynyt oikosulku. Laitteen sulake täyttyy painaa manuaalisesti takaisin sisään sen jälkeen kun se on lauennut ylivirrasta.

**OHJE**

Yksittäiset kytkentäarvot löytyvät kohdasta kap. "Tekniset tiedot" sivulla 255.

Invertteriä voi käyttää seuraavanlaisissa verkoissa:

- **TN-verkko:**  
Invertterin nollajohdin on yhdistetty maahan. Jäljempänä täytyy olla asennettuna vikavirtasuojakytkin.
- **IT-verkko:**  
Molemmat vaiheet on eristetty. Tämä sopii yhden sähkölaitteen käyttämiseen. Jos liitetään useampia sähkölaitteita, suojaus täytyy suunnitella erikseen (esim. eristyksenvalvontalaite).

Verkon tyyppi konfiguroidaan laitteen DIP-kytkimellä.

Inverttereissä DSP13xxT, DSP18xxT, DSP23xxT on kiinteänä liitäntäjohto, pistorasia ja pistoke. Invertteri DSP35xxT liitetään PG-liitoksilla suoraan liittimiin.

Vaihesynkronoinnilla invertteri sovituu AC-tulojännitteen vaiheisiin. Näin vältetään jännitepiikeiltä kun vaihdetaan akkujänniteltä verkkojännitteelle.

Invertteri sopii käytettäväksi herkkien sähkölaitteiden kanssa, koska lähtöjännite on puhdasta siniaaltoa.

Invertterissä on jännitteenvälitsin. Jos saatavilla on erillinen 230 V~ -jännite, käytetään tätä ensisijaisesti. Jos saatavilla ei ole erillistä 230 V~ -jännitettä, virransyöttöön käytetään liitettyä akkua.

Invertterin voi kytkeä energiansäästötilaan, jotta siihen yhdistetty akku ei purkaudu liian nopeasti.

Invertteri voidaan kytkeä päälle ja pois kaukosäätimellä (**lisävaruste**).

Lisäksi invertteriä voidaan ohjata virtamonitorilla (**lisävaruste**).

## 7.1 Käyttölaitteet

Kohta – kuva <b>2</b>	Nimitys	Kuvaus
1	Pääkytkin	<b>O</b> : Kytkee laitteen pysyvästi pois päältä <b>I</b> : Kytkee laitteen pysyvästi päälle <b>II</b> : Laitteen voi kytkeä päälle ja pois kaukosäätimellä ( <b>lisävaruste</b> )
2	Tila-LED	Katso kap. "Toimintailmaisimet" sivulla 250
3	Sulake	Suojaa invertteriä ylikuormitukselta. Sulake voidaan painaa takaisin sisään, jos se on lauennut.
4	DIP-kytkin	Ottaa invertterin asetukset Katso kap. "Invertterin säätäminen" sivulla 251

## 7.2 Liitännät



### OHJE

Kuvassa on nähtävissä Manner-Eurooppaan tarkoitettu versio.

Kohta – kuva <b>2</b>	Kuvaus
5	230 V~ -tulo ( <b>DSP 35xxT</b> : PG-liitäntä)
6	230 V~ -lähtö ( <b>DSP 35xxT</b> : PG-liitäntä)
7	Maaliitin (Maadoitus ajoneuvon koriin)
8	Plus-liitin
9	Miinus-liitin
10	CI/LIN-BUS-liitännät (LINA)
11	Kaukosäätimen liitäntä (LINB)
12	Etäkytkimen liitäntä
13	Tuuletin (takapuoli)

## 8 Invertterin asentaminen



### OHJE

Kaikki johdot on kytkettävä ennen invertterin asentamista, jotta liitäntöihin pääsee vapaasti käsiksi.

### 8.1 Tarvittavat työkalut

**Sähköiseen liitäntään** tarvitaan seuraavia apuvälineitä:

- Abico-pihdit
- 3 eriväristä, joustavaa liitäntäjohtoa. Vaadittavan halkaisijan löydät taulukosta kap. "Invertterin liittäminen" sivulla 247.
- Kaapelikenkiä ja pääteholkkeja johtimiin

Invertterin **kiinnittämiseen** tarvitaan seuraavia asennusvälineitä:

- pultteja (M4) ja priikkoja sekä itsestäänlukittuvia muttereita tai
- pelti- tai puuruuveja

## 8.2 Asennusohjeita

Noudata asennuspaikkaa valitessasi seuraavia ohjeita:

- Invertteri voidaan asentaa sekä pystysuoraan että vaakasuoraan.
- Invertteri täytyy asentaa kosteudelta suojattuun paikkaan.
- Invertteriä ei saa asentaa ympäristöön, jossa on syttyviä materiaaleja.
- Invertteriä ei saa asentaa pölyiseen ympäristöön.
- Sijoituspaikassa pitää olla hyvä tuuletus. Asennettaessa laite pieneen suljettuun tilaan siinä pitää olla ilmanvaihtoaukot tulo- ja poistoilmalle. Invertterin ympärillä täytyy olla vähintään 5 cm vapaata tilaa (kuva **3**).
- Invertterin etu- ja takapuolen ilmanottoaukot on pysyttävä vapaana.
- Yli 40 °C:n ympäristön lämpötiloissa (esim. moottori- tai lämmitystilat, suora auringonpaiste) invertteri voi kytkeytyä pois päältä vaikka siihen liitettyjen sähkölaitteiden teho on pienempi kuin nimelliskuorma (Derating).
- Asennuspinnan täytyy olla tasainen ja kyllin luja.



### HUOMAUTUS!

Ennen kuin teet mitään reikiä, varmista, että poraaminen, sahaaminen tai viilaaminen ei vahingoita sähköjohtoja tai ajoneuvon muita osia.

## 8.3 Invertterin asentaminen

- Asenna invertteri esitetyllä tavalla (kuva **4**).



## 9 Invertterin liittäminen

### 9.1 Yleisiä ohjeita



#### VAROITUS!

- Invertterin saavat liittää yksinomaan vastaavan koulutuksen omaavat ammattiliikkeet. Seuraavat tiedot on suunnattu ammattilaisille, jotka tuntevat sovellettavat direktiivit ja turvajärjestelyt.
- Invertteriä **ei saa** käyttää ajoneuvoissa, joiden akun plus-napa on yhdistetty runkoon.
- Jos et asenna sulaketta akun **plus-johtimeen**, johdot voivat ylikuormittua ja aiheuttaa tulipalon.

- Invertteri täytyy yhdistää runkoon tai maahan, jos se asennetaan ajoneuvoihin tai veneisiin.
- Noudata pistorasiaverkkoa rakentaessasi (verkko) VDE 0100:n määräyksiä.
- Käytä yksinomaan kuparijohtoja.
- Pidä johdot niin lyhyinä kuin mahdollista (< 1 m).
- Käytä maadoitukseen johtoa, jonka vähimmäishalkaisija on 4 mm<sup>2</sup>.
- Noudata tarvittavaa johtohalkaisijaa ja asenna johtosulake (kuva **6** 1) plus-johtimeen mahdollisimman lähelle akkua (kts. taulukko).

Laite	Vaadittu johdon poikkileikkaus	Johtosulake
DSP1312T	35 mm <sup>2</sup>	200 A
DSP1324T	25 mm <sup>2</sup>	150 A
DSP1812T	50 mm <sup>2</sup>	250 A
DSP1824T	25 mm <sup>2</sup>	150 A
DSP2312T	70 mm <sup>2</sup>	300 A
DSP2324T	35 mm <sup>2</sup>	200 A
DSP3512T	2 x 50 mm <sup>2</sup>	2 x 250 A
DSP3524T	50 mm <sup>2</sup>	250 A

## 9.2 Invertterin liittäminen



### VAROITUS!

Varmista ennen vaihtojännitelähtöjohtimen liittämistä, että invertteri on kytketty pois päältä pääkytkimellä.



### HUOMAUTUS!

Huolehdi siitä, että napaisuus ei mene ristiin. Väärä napaisuus voi vaurioittaa invertteriä.



### OHJE

Kiristä ruuvit ja mutterit maks. 15 Nm:n vääntömomentilla. Löysät liitokset voivat johtaa ylikuumentumiseen.

- Liitä tasasuuntaaja esitetyllä tavalla:
  - Akun liittäminen: kuva **5** ja kuva **6**
  - Maaliittimen liittäminen: kuva **7**
  - 230 V -syöttöjohtimen liittäminen: kuva **8** (INPUT)
  - 230 V -lähtöjohtimen liittäminen: kuva **8** (OUTPUT)

## 9.3 Useampien sähkölaitteiden liittäminen

Laitteessa on toimituskunnossa galvaaninen erotus. Useampien sähkölaitteiden turvallisen käytön vuoksi on pistorasiaverkkoon välttämätöntä asentaa suojakytkin (vikavirtasuojakytkin).

- Asenna pistorasiaverkkoon vikavirtasuojakytkin.

## 9.4 Kaukosäätimen (lisävaruste) liittäminen



### HUOMAUTUS!

Työnnä kaukosäätimen liitäntä vain Remote-porttiin. Väärä liittäminen voi vaurioittaa laitetta.

- Liitä kaukosäädin esitetyllä tavalla (kuva **9**).

## 9.5 Käynnistyksen ja sammutuksen ulkoisen kytkimen liittäminen



### OHJE

Käytä johtoa, jonka halkaisija on 0,25–0,75 mm<sup>2</sup>.

Ulkoisena kytkimenä voit käyttää seuraavia:

- Ulkoinen kytkin, jännitesyöttö invertteristä: kuva **10** A
  - Ohjauyksikkö rele- ja transistorikytkennällä (TR): kuva **10** B
  - Ulkoinen kytkin jännitesyötöllä ajoneuvon akun (BAT) kautta: kuva **10** C
  - Ulkoinen kytkin omalla jännitesyötöllä (DC POWER), esim. virtalukosta: kuva **10** D
- Aseta pääkytkin (kuva **2** 1) asentoon "OFF".
  - Varmista, ettei liitäntää ole varattu kaukosäädintä (kuva **2** 11) varten.
  - Aseta pääkytkin (kuva **2** 1) asentoon "REMO".
  - Liitä erillinen käynnistys-/sammutuskytkin liitäntäjohdolla liittimeen (kuva **2** 12).

## 9.6 Releen liittäminen

Voit liittää releen, joka ilmaisee 230 V -tulon liitännän. Voit toteuttaa vaikka ajoneuvon, ettei ajoneuvo voi lähteä liikkeelle 230 V -tulon ollessa liitettynä.

- Liitä rele esitetyllä tavalla (kuva **11**):
  - NO (Normally Open): Sulkukosketin
  - COM (Common): Vaihtokosketin
  - NC (Normally Closed): Lepokontakti

Releen spesifikaatio:

Maksimijännite	Kuorma	Virrankulutus	
		NO	NC
250 V~	Resistiivinen	0,5 A	0,5 A
12 V/24 V=	Resistiivinen	1 A	1 A

## 10 Invertterin käyttäminen

### 10.1 Invertterin päälle kytkeminen

- Aseta invertterin pääkytkin (kuva **2** 1) seuraavalla tavalla:
  - "0": kytkeäksesi invertterin pysyvästi pois päältä
  - "I": kytkeäksesi invertterin pysyvästi päälle
  - "II": pystyäksesi kytkemään invertterin kaukosäätimellä (**lisävaruste**) päälle ja pois
- Invertteri testaa käynnistyessään itsensä.
- ✓ Onnistuneen itsetestauksen jälkeen LED palaa sinisenä (kuva **2** 2).

### 10.2 Toimintailmaisimet

Sininen LED (kuva **2** 2) ilmaisee invertterin toimintatilan.

Näyttö	Tulojännite
Loistaa jatkuvasti	Normaalikäyttö
Pitkä vilkku, ei katkoa	Invertteri ylikuumentunut/ylikuorma
Nopea vilkku	Ylijännite/alijännite
Lyhyt vilkku, pitkä katkos	Eristyksenvälontalaite on kytkenyt invertterin pois
Pois	Muu virhe

Invertteri kytketty pois päältä, jos:

- Akkujännite laskee alle arvon 10 V (12 V---liitäntä) tai 20 V (24 V---liitäntä).
  - Akkujännite nousee yli arvon 16,5 V (12 V---liitäntä) tai 33 V (24 V---liitäntä).
  - Invertteri ylikuormittuu.
  - Invertteri ylikuumenee.
- Kytke invertteri tässä tapauksessa pääkytkimellä (kuva **2** 1) pois päältä.
  - Tarkasta, onko invertterin tuuletus riittävä ja ovatko tuuletinaukot ja tuuletusrakokset vapaina.
  - Odota n. 5 – 10 min ja kytke invertteri jälleen päälle ilman liitettyä sähkölaitetta.

## 10.3 Energiansäästötilan asettaminen



### OHJE

Energiansäästötilan voi kytkeä päälle ja pois ainoastaan kaukosäätimellä.

## 10.4 Invertterin säätäminen

Voit sovittaa laitteen DIP-kytkimien (kuva **2** 4) avulla.

### Säätöjen asettaminen

DIP-kytkimellä S1 voit määrätä, suoritetaanko parametrien asetus kaukosäätimen CI-BUS-soveltuvan käyttökentän liitännän vai DIP-kytkimien avulla.

Parametri	DIP-kytkin S1
Kaukosäätimen liitäntä	Pois
DIP-kytkin	Päällä

### Verkojännitteen asettaminen

Voit asettaa verkkojännitteen DIP-kytkimellä S2.

Verkojännite	DIP-kytkin S2
230 V/50 Hz	Pois
240 V/60 Hz	Päällä

## Energiansäästötilan asettaminen

Voit asettaa energiansäästötilan DIP-kytkimillä S3 ja S4. Tällöin akku, johon liität invertterin, ei purkaudu niin nopeasti.

Invertteri toimii tällöin energiansäästötilassa niin pitkään, kun vaadittu teho on säädetyn tehoarvon alapuolella. Jos vaadittu teho ylittää säädetyn tehoarvon, invertteri toimii normaalikäyttötilassa.

Katso invertterin säädettävät arvot seuraavasta taulukosta:

Energiansäästötila	DIP-kytkin	
	S3	S4
Energiansäästötila aktivoitu, jos kuorma < 45 W Normaalitila aktivoitu, jos kuorma > 45 W	Pois	Pois
Energiansäästötila aktivoitu, jos kuorma < 1 W Invertteri kytkeytyy automaattisesti pois 20 minuutin energiansäästötilan käytön jälkeen Normaalitila aktivoitu, jos kuorma > 1 W	Päällä	Pois
Energiansäästötila aktivoitu, jos kuorma < 1 W Normaalitila aktivoitu, jos kuorma > 1 W	Pois	Päällä
Energiansäästötila aktivoitu, jos kuorma $\geq$ 45 W Invertteri kytkeytyy automaattisesti pois 20 minuutin energiansäästötilan käytön jälkeen Normaalitila aktivoitu, jos kuorma > 45 W	Päällä	Päällä

## Verkon tyyppin asettaminen

DIP-kytkimellä S5 voit määrittää, minkä tyyppisessä verkossa invertteriä on tarkoitus käyttää.

Parametri	DIP-kytkin S5
TN-verkko Ulkoinen, perään kytketty <b>vikavirtasuojakytkin on välttämätön.</b>	Pois
IT-verkko Käyttö vain yhden sähkölaitteen kanssa tai on asennettava ulkoinen eristyksenvalvontalaite. <b>Noudata kansallisia standardeja!</b>	Päällä

## 11 Invertterin hoito ja puhdistus



### HUOMAUTUS!

Puhdistukseen ei saa käyttää teräviä tai kovia välineitä eikä puhdistusaineita, koska tämä voi johtaa tuotteen vahingoittumiseen.

- Puhdista tuote toisinaan ulkopuolelta kostealla liinalla.

## 12 Vianetsintä



### VAROITUS!

Älä avaa laitetta. Siitä aiheutuu sinulle sähköiskuvaara!



### OHJE

Käännä valmistajan puoleen, jos sinulla on **invertterin tietoja** koskevia yksityiskohtaisia kysymyksiä (osoitteet käyttöohjeen takasivulla).

LED (kuva **2** 2) osoittaa virheen:

LED-näyttö	Syy	Poistaminen
Nopea vilkku	Liian korkea tulojännite	Tarkista tulojännite ja pienennä sitä.
	Liian matala tulojännite	Akku täytyy ladata uudelleen. Tarkasta johtimet ja liitännät.
Palaa 2 s, lyhyt katko	Terminen ylikuormitus	Kytke invertteri ja sähkölaite pois päältä. Odota n. 5 – 10 minuuttia ja kytke invertteri jälleen päälle ilman liitettyä sähkölaitea. Vähennä kuormitusta ja huolehdi invertterin paremmasta tuuletuksesta. Kytke sitten sähkölaite jälleen päälle.
	Liian suuri kuormitus	Kytke invertteri pois päältä ja poista siihen liitetty sähkölaite. Kytke invertteri jälleen päälle ilman sähkölaitekuormaa. Jos liian suurta kuormitusta ei enää ilmaista, liitettynä olleessa sähkölaitteessa on oikosulku tai kokonaiskuormitus oli suurempi kuin tietolehtisessä määritelty teho. Tarkasta johtimet ja liitännät. Paina laitesulake uudelleen paikalleen.
Pois	Muu virhe	Käännä asiakaspalvelun puoleen.



## 13 Tuotevastuu

Laitetta koskee lakisääteinen takuu-aika. Jos tuote sattuu olemaan viallinen, käänny maasi valmistajan toimipisteen puoleen (osoitteet käyttöohjeen takasivulla) tai ota yhteyttä omaan ammattikauppiaseesi.

Korjaus- ja takuukäsittelyä varten lähetä mukana seuraavat asiakirjat:

- kopio ostolaskusta, jossa näkyy ostopäivä,
- valitusperuste tai vikakuvaus.

## 14 Hävittäminen


- Vie pakkausmateriaali mahdollisuuksien mukaan vastaavan kierrätysjätteen joukkoon.



Jos poistat tuotteen lopullisesti käytöstä, pyydä tietoa sen hävittämistä koskevista määräyksistä lähimmästä kierrätyskeskuksesta tai ammattiliikkeestäsi.

## 15 Tekniset tiedot

Seuraavat tekniset tiedot koskevat kaikkia inverttereitä:

Lähtöjännite:	230/240 V~ ± 3 %, puhdas siniaalto (särokerroin <3 %)
Lähtötaajuus:	50/60 Hz ± 0,3 Hz
Lämmönpoisto:	lämpötila- ja kuormaohjattu tuuletin
Ympäristön lämpötila, käyttö:	-20 °C ... +60 °C
Ympäristön lämpötila, varastointi:	-30 °C ... +70 °C
Tehonsäätely:	≥40 °C
Siltausrele:	16 A/250 V~
Siltausvaihtokytkentä jännitesynkronoinnilla:	<20 ms
Ilmankosteus:	0 – 95 %, ei-tiivistyvä
Tarkastus/sertifikaatti:	

	<b>DSP1312T</b>	<b>DSP1812T</b>	<b>DSP1324T</b>	<b>DSP1824T</b>
Tuotenumero:	9600002551	9600002553	9600002552	9600002554
Nimellinen tulojännite:	12 V <sub>AC</sub>		24 V <sub>AC</sub>	
Tulojännitealue:	10 – 16,5 V <sub>AC</sub>		20 – 33 V <sub>AC</sub>	
Nimellisteho:	1200 W	1800 W	1200 W	1800 W
Maksimiteho 10 min:	1300 W	1800 W	1300 W	1800 W
Maksimiteho 3 min:	1380 W	2070 W	1380 W	2070 W
Tehohuippu 2 s:	2400 W	3600 W	2400 W	3600 W
Lepovirrankulutus:	2,5 A	2,5 A	1,3 A	1,3 A
Valmiustilan virrankulutus nimellisjännitteellä:	<0,2 A	<0,2 A	<0,1 A	<0,1 A
Hyötysuhde:	>89 %		>90 %	
Tehonsovitus 10,0 V ja 10,5 V:n välisellä tulojännitteellä:	1020 W	1530 W	1020 W	1530 W
Tehonsovitus yli 40 °C:een lämpötiloissa:	1,75 % nimellistehosta asetta kohden 40 °C:eesä			
Mitat L x P x K:	kuva <b>15</b>			
Paino:	4,8 kg	6,1 kg	4,8 kg	6,1 kg

	<b>DSP2312T</b>	<b>DSP3512T</b>	<b>DSP2324T</b>	<b>DSP3524T</b>
Tuotenro:	9600002555	9600002557	9600002556	9600002558
Nimellinen tulojännite:	12 V $\overline{=}$		24 V $\overline{=}$	
Tulojännitealue:	10 – 16,5 V $\overline{=}$		20 – 33 V $\overline{=}$	
Nimellisteho:	2000 W	3000 W	2000 W	3000 W
Maksimiteho 10 minuutille ( $U_{IN} > 12,5$ V):	2300 W	3500 W	2300 W	3500 W
Maksimiteho 3 minuutille ( $U_{IN} > 10,5$ V):	2300 W	3500 W	2300 W	3500 W
Tehohuippu 2 s:	4000 W	6000 W	4000 W	6000 W
Lepovirrankulutus:	2,8 A	3,6 A	1,4 A	1,8 A
Valmiustilan virrankulutus nimellisjännitteellä:	<0,2 A	<0,2 A	<0,15 A	<0,15 A
Hyötysuhde:	>89 %		>90 %	
Tehonsovitus 10,0 V ja 10,5 V:n välisellä tulojännitteellä:	1700 W	2600 W	1700 W	2600 W
Tehonsovitus yli 40 °C:een lämpötiloissa:	1,75 % nimellistehosta asetta kohden 40 °C:essa			
Mitat L x P x K:	kuva <b>15</b>			
Paino:	6,6 kg	10,9 kg	6,6 kg	10,9 kg

**Suojalaitteistot**

	<b>12 V</b>	<b>24 V</b>
Tulo:	Alijännite, napaisuussuojaus (sisäinen sulake)	
AC-lähtö:	Alijännite, oikosulku, ylikuorma	
AC-tulo:	16 A-suojakytin	
Lämpötila:	Katkaisu	
Oikosulkusuojaus:	Kyllä, lpk	

**Ylijännitesuoja**

<b>Laite</b>	<b>Ylijännite</b>	
	<b>Katkaisu</b>	<b>Uudelleenkäynnistys</b>
DSP1312T, DSP1812T, DSP2312T, DSP3512T	16,5 V	15,5 V
DSP1324T, DSP1824T, DSP2324T, DSP3524T	33 V	31 V

**Alijännitesuoja**

<b>Laite</b>	<b>Alijännite</b>	
	<b>Katkaisu</b>	<b>Uudelleenkäynnistys</b>
DSP1312T, DSP1812T, DSP2312T, DSP3512T	10 V	12 V
DSP1324T, DSP1824T, DSP2324T, DSP3524T	20 V	24 V

Laitteesi voimassa olevan EU-vaatimustenmukaisuusvakuutuksen saat kyseisen tuotteen sivulta osoitteesta [dometic.com](http://dometic.com) tai suoraan valmistajalta (ks. taustapuoli).

**Прочтите данную инструкцию перед монтажом и вводом в эксплуатацию и сохраните ее. В случае передачи продукта передайте инструкцию следующему пользователю.**

## Оглавление

1	Пояснение к символам . . . . .	260
2	Общие указания по технике безопасности. . . . .	260
3	Комплект поставки . . . . .	264
4	Аксессуары. . . . .	264
5	Целевая группа данной инструкции . . . . .	265
6	Использование по назначению . . . . .	265
7	Техническое описание . . . . .	265
8	Монтаж инвертора. . . . .	268
9	Подключение инвертора . . . . .	270
10	Использование инвертора . . . . .	273
11	Уход и очистка инвертора. . . . .	276
12	Устранение неисправностей . . . . .	277
13	Гарантия . . . . .	278
14	Утилизация . . . . .	278
15	Технические характеристики . . . . .	279

# 1 Пояснение к символам



## **ОПАСНОСТЬ!**

**Указания по технике безопасности:** Несоблюдение ведет к смертельному исходу или тяжелым травмам.



## **ПРЕДУПРЕЖДЕНИЕ!**

**Указания по технике безопасности:** Несоблюдение может привести к смертельному исходу или тяжелым травмам.



## **ВНИМАНИЕ!**

Несоблюдение может привести к повреждениям и нарушить работу продукта.



## **УКАЗАНИЕ**

Дополнительная информация по управлению продуктом.

## 2 Общие указания по технике безопасности

### 2.1 Общая безопасность

Изготовитель не несет никакой ответственности за ущерб в следующих случаях:

- Ошибки монтажа или подключения
- Повреждения продукта из-за механических воздействий и перенапряжений
- Изменения в продукте, выполненные без однозначного разрешения изготовителя
- Использование в целях, отличных от указанных в данной инструкции

Соблюдайте следующие основные предписания по технике безопасности при пользовании электроприборами для защиты от:

- поражения электрическим током
- опасности возникновения пожара
- травм

## 2.2 Основные указания по технике безопасности



### ОПАСНОСТЬ!

- В случае пожара используйте огнетушитель, пригодный для тушения электрооборудования.



### ПРЕДУПРЕЖДЕНИЕ!

- Используйте прибор только по назначению.
- Следите за тем, чтобы **не** соприкасались красный и черный зажимы.
- Отсоединяйте прибор от сети
  - перед каждой чисткой и уходом
- Если Вы демонтируете прибор:
  - Отсоедините все соединения.
  - Убедитесь в том, что все входы и выходы обесточены.
- Запрещается вводить прибор в работу, если он или соединительный кабель имеют видимые повреждения.
- В случае повреждения питающего кабеля данного прибора он - во избежание опасностей - должен быть заменен изготовителем, сервисным центром или имеющим аналогичную квалификацию персоналом.
- Ремонт данного прибора разрешается выполнять только специалистам. Неправильно выполненный ремонт может приводить к серьезным опасностям.
- Этот прибор может использоваться детьми с 8-ми лет и старше, а также лицами с ограниченными физическими, сенсорными и умственными способностями или при недостатке необходимого опыта и/или знаний только под присмотром или после прохождения инструктажа по безопасному использованию прибора, если они поняли опасности, которые при этом могут возникнуть.
- **Электроприборы не являются детскими игрушками!**  
Поэтому храните и используйте прибор в недоступном для детей месте.
- За детьми необходимо постоянно следить, чтобы не допустить их игры с прибором.



### ВНИМАНИЕ!

- Перед вводом в эксплуатацию сравните значения напряжения, указанные на заводской табличке, с характеристиками имеющегося источника питания.

- Следите за тем, чтобы другие предметы **не** вызывали короткого замыкания на контактах прибора.
- Не вытаскивайте штекер из розетки за питающий кабель.
- Храните прибор в сухом, прохладном месте.

## 2.3 Техника безопасности при монтаже прибора



### **ОПАСНОСТЬ!**

- Не устанавливайте прибор в зонах, в которых имеется опасность взрыва газа или пыли.



### **ОСТОРОЖНО!**

- Обеспечивайте надежность расположения!  
Прибор должен быть установлен и закреплен таким образом, чтобы он не мог опрокинуться или упасть.



### **ВНИМАНИЕ!**

- Не эксплуатируйте прибор вблизи источников тепла (солнечных лучей, радиаторов отопления и т. п.). Не допускайте дополнительного нагрева прибора.
- Установите прибор в сухом, защищенном от брызг месте.

## 2.4 Техника безопасности при присоединении прибора к электрической сети



### **ОПАСНОСТЬ! Опасность для жизни из-за поражения электрическим током!**

- При работах на электрооборудовании убедитесь в том, что вблизи находятся люди, которые в экстренном случае могут оказать Вам помощь.



### **ПРЕДУПРЕЖДЕНИЕ!**

- Обеспечивайте достаточное поперечное сечение проводов.
- Прокладывайте провода так, чтобы исключить их повреждение дверями или капотом.  
Зажатые кабели могут приводить к опасным для жизни травмам.



### **ОСТОРОЖНО!**

- Прокладывайте провода так, чтобы исключить опасность спотыкания и повреждения кабеля.



**ВНИМАНИЕ!**

- Если необходимо провести электрические провода через металлические стенки или иные стенки с острыми краями, то используйте металлорукава или кабельные вводы.
- **Не** прокладывайте сетевой кабель 230 В и провод 12 В постоянного тока совместно с одним и том же кабельном канале (металлорукаве).
- **Не** прокладывайте провода незакрепленными или сильно изогнутыми.
- Обеспечивайте надежное крепление проводов.
- Не тяните за провода.

## 2.5 Техника безопасности при работе прибора

**ОПАСНОСТЬ! Опасность для жизни из-за поражения электрическим током!**

- Не беритесь голыми руками за оголенные провода.

**ПРЕДУПРЕЖДЕНИЕ!**

- Используйте прибор только в закрытых, хорошо проветриваемых помещениях.

**ОСТОРОЖНО!**

- **Не** эксплуатируйте прибор
  - в условиях высокой влажности и высокого содержания соли в воздухе
  - вблизи источников агрессивных паров
  - вблизи горючих материалов
  - во взрывоопасных зонах
- Перед вводом в эксплуатацию убедитесь в том, что питающий кабель и штекер сухие.
- При работах на приборе всегда прерывайте электропитание.
- Учтите, что даже после срабатывания защитного устройства (предохранителя) части прибора могут оставаться под напряжением.
- Не отсоединяйте кабели, если прибор еще находится в работе.

**ВНИМАНИЕ!**

- Следите за тем, чтобы не перекрывались отверстия входа и выхода воздуха.
- Обеспечивайте хорошую вентиляцию.

### 3 Комплект поставки

Поз. на рис. <b>1</b>	Наименование
1	Синусоидальный инвертор
2	Кабель с разъемом с заземляющим контактом (Schuko) (для выхода 230 В~)
3	Кабель с вилкой Schuko (для электропитания 230 В~)
–	Инструкция по эксплуатации

### 4 Аксессуары

Наименование	Арт. №
Пульт дистанционного управления	9600002564
Монитор энергии	9600002565

## 5 Целевая группа данной инструкции

гл. «Подключение инвертора» на стр. 270 предназначена исключительно для специалистов, которые знают соответствующие предписания Союза немецких электриков.

Все остальные главы предназначены также и для пользователей прибора.

## 6 Использование по назначению



### ПРЕДУПРЕЖДЕНИЕ!

Запрещается использовать инвертор в автомобилях, у которых положительный полюс аккумуляторной батареи соединен с шасси.

Инвертор предназначен для преобразования постоянного напряжения в переменное напряжение 230 – 240 В частотой 50 Гц или 60 Гц:

- **12 В**---: DSP1312T, DSP1812T, DSP2312T, DSP3512T
- **24 В**---: DSP1324T, DSP1824T, DSP2324T, DSP3524T

## 7 Техническое описание

Инвертор может работать в любом месте, где имеется разъем постоянного тока.

- **12 В**---: DSP1312T, DSP1812T, DSP2312T, DSP3512T
- **24 В**---: DSP1324T, DSP1824T, DSP2324T, DSP3524T

Благодаря небольшому весу и компактной конструкции прибор можно использовать в автофургонах, грузовых автомобилях, автобусах, а также на моторных и парусных яхтах.

Выходное напряжение соответствует бытовому напряжению из розетки (чистое синусоидальное напряжение, суммарный КНИ <3 %).

Необходимо учитывать значения постоянной и пиковой выходной мощности, указанные в гл. гл. «Технические характеристики» на стр. 279. Запрещается присоединять приборы, имеющие большую потребляемую мощность.



### УКАЗАНИЕ

При подключении приборов с электроприводом (например, дрели, холодильника и т. п.) необходимо учитывать, что им часто для пуска требуется больше мощности, чем указано на заводской табличке.

Инвертор имеет различные защитные механизмы:

- **Защита от повышенного напряжения:** Инвертор отключается, если величина напряжения превышает значение отключения. Он включается снова, как только напряжение падает ниже значения перезапуска.
- **Защита от пониженного напряжения:** Инвертор отключается, если величина напряжения падает ниже значение отключения. Он включается снова, как только напряжение достигает значения перезапуска.
- **Защита от перегрева:** Инвертор отключается, если температура внутри прибора или температура на радиаторе превышает значение отключения. Он включается снова, как только напряжение достигает значения перезапуска.
- **Защита от перегрузки и защита от короткого замыкания:** Непрерывный красный свет светодиодного индикатора на инверторе свидетельствует о сбое (присоединена слишком большая нагрузка или возникло короткое замыкание). После срабатывания, вызванного током перегрузки, предохранитель прибора необходимо вдавить вручную.



#### УКАЗАНИЕ

Отдельные значения переключения указаны в гл. «Технические характеристики» на стр. 279.

Инвертор может работать в следующих сетях:

- **Сеть TN:**  
провод нейтрали инвертора соединен с массой. Необходимо также установить защитное устройство отключения.
- **Сеть IT:**  
обе фазы изолированы. Такая сеть подходит для подключения одного потребителя. Если подключается несколько потребителей, необходимы дополнительные средства защиты (например, датчик, контролирующий состояние изоляции).

Тип сети задается через DIP-переключатель устройства.

Инверторы DSP13ххТ, DSP18ххТ, DSP23ххТ оснащены кабелем с розеткой и вилкой, закрепленными на устройстве. Инверторы DSP35ххТ подсоединяются к клеммам подключения напрямую через кабельный ввод типа PG.

Благодаря синхронизации фаз инвертор настраивается на угол сдвига фаз входящего переменного напряжения. Это позволяет снизить воздействие скачков напряжения при переключении с аккумулятора на сетевое напряжение.

Инвертор подходит для работы с чувствительными потребителями, так как выходное напряжение представляет собой чистую синусоидальную волну.

Инвертор оснащен приоритетной схемой. Внешнее напряжение 230 В $\sim$  используется в приоритетном порядке. То есть, аккумуляторная батарея используется в качестве источника питания только в том случае, если отсутствует внешнее напряжение 230 В $\sim$ .

Инвертор можно переключить в режим энергосбережения, чтобы присоединенная батарея не разряжалась слишком быстро.

Инвертор можно включать и выключать пультом дистанционного управления **(приобретается отдельно)**.

Дополнительно инвертор может управляться монитором энергии **(приобретается отдельно)**.

## 7.1 Элементы управления

Поз. на рис. <b>2</b>	Наименование	Описание
1	Главный выключатель	<b>0</b> : Полное выключение устройства <b>I</b> : Включение устройства <b>II</b> : Прибор можно включать и выключать пультом дистанционного управления <b>(приобретается отдельно)</b>
2	Светодиодный индикатор состояния	См. гл. «Рабочие индикаторы» на стр. 273
3	Предохранитель	Защищает инвертор от перегрузки. После срабатывания необходимо вдавить предохранитель.
4	DIP-переключатель	Позволяет менять настройки инвертора См. гл. «Настройка инвертора» на стр. 274

## 7.2 Разъемы



### УКАЗАНИЕ

Изображена версия для континентальной Европы.

Поз. на рис. <b>2</b>	Описание
5	Вход 230 В~ ( <b>DSP 35xxT</b> : PG-соединение)
6	Выход 230 В~ ( <b>DSP 35xxT</b> : PG-соединение)
7	Клемма для соединения с корпусом автомобиля (масса)
8	Положительный зажим
9	Отрицательный зажим
10	Разъем CI/LIN-BUS (LINA)
11	Разъем для пульта дистанционного управления (LINB)
12	Разъем для дистанционного выключателя
13	Вентилятор (обратная сторона)

## 8 Монтаж инвертора



### УКАЗАНИЕ

Прежде чем установить инвертор, необходимо подсоединить все кабели, чтобы обеспечить доступ ко всем разъемам.

### 8.1 Требуемый инструмент

Для **электрического подключения** требуются следующие инструменты и материалы:

- Обжимные клещи
- 3 гибких кабеля разного цвета. Требуемое поперечное сечение указано в таблице в гл. гл. «Подключение инвертора» на стр. 270.
- Кабельные наконечники и кабельные зажимы

Для **крепления** инвертора требуется следующий крепеж:

- винты (М4) с подкладными шайбами и самостопорящимися гайками или
- самонарезающие винты или шурупы.

## 8.2 Указания по монтажу

При выборе места монтажа учитывайте следующее:

- Инвертор может быть установлен как горизонтально, так и вертикально.
- Инвертор должен быть установлен в защищенном от попадания влаги месте.
- Запрещается установка инвертора вблизи легковоспламеняющихся материалов.
- Инвертор запрещается устанавливать в запыленной атмосфере.
- В месте монтажа должна иметься хорошая вентиляция. При монтаже в небольших закрытых помещениях должна иметься приточно-вытяжная вентиляция. Свободное расстояние вокруг инвертора должно составлять не менее 5 см (рис. **3**).
- Вентиляционные отверстия на лицевой и задней стороны инвертора должны всегда быть свободными.
- При температуре окружающей среды более 40 °С (например, в моторных или котельных отделениях, под воздействием прямых солнечных лучей) возможно отключение инвертора, даже если напряжение подключенного потребителя ниже номинальной нагрузки (понижение мощности).
- Поверхность монтажа должна быть ровной и достаточно прочной.



### **ВНИМАНИЕ!**

Прежде чем просверлить какие-либо отверстия, убедитесь в том, что электрические кабели или другие детали автомобиля не будут повреждены при сверлении, пилении и обработке напильником.

## 8.3 Монтаж инвертора

- ▶ Установите инвертор, как изображено на иллюстрации (рис. **4**).

## 9 Подключение инвертора

### 9.1 Общие указания



#### ПРЕДУПРЕЖДЕНИЕ!

- Подключение инвертора разрешается выполнять только специализированным предприятиям. Последующая информация предназначена для специалистов, которые знакомы с действующими стандартами и техникой безопасности.
- **Запрещается** использовать инвертор в автомобилях, в которых положительный полюс батареи соединен с рамой.
- Если предохранитель не установлен **в положительный провод** батареи, возможна перегрузка проводов и возникновение пожара.

- При установке в автомобилях или на катерах инвертор должен быть соединен с рамой или массой (корпусом).
- При монтаже сетевого разветвителя (создании сети) соблюдайте предписания VDE 0100.
- Используйте только медные кабели.
- Длина кабелей должна быть как можно меньшей ( $< 1$  м).
- Для заземления используйте кабель с поперечным сечением не менее  $4 \text{ мм}^2$ .
- Используйте кабели с требуемым поперечным сечением и установите кабельный предохранитель (рис. **6** 1) в положительный провод как можно ближе к батарее (см. таблицу).

Прибор	Требуемое поперечное сечение кабелей	Предохранитель кабеля
DSP1312T	$35 \text{ мм}^2$	200 A
DSP1324T	$25 \text{ мм}^2$	150 A
DSP1812T	$50 \text{ мм}^2$	250 mA
DSP1824T	$25 \text{ мм}^2$	150 A
DSP2312T	$70 \text{ мм}^2$	300 A
DSP2324T	$35 \text{ мм}^2$	200 A
DSP3512T	$2 \times 50 \text{ мм}^2$	$2 \times 250$ A
DSP3524T	$50 \text{ мм}^2$	250 mA



## 9.2 Подключение инвертора



### ПРЕДУПРЕЖДЕНИЕ!

Перед присоединением выходного провода убедитесь в том, что инвертор выключен главным выключателем.



### ВНИМАНИЕ!

Следите за правильной полярностью. Неправильная полярность может приводить к повреждениям инвертора.



### УКАЗАНИЕ

Затяните винты или гайки с моментом затяжки не более 15 Нм. Ослабленные соединения могут приводить к перегреву.

- Подключите инвертор, как изображено на схеме:
  - Присоединение батареи: рис. **5** и рис. **6**
  - Подсоединение к клемме заземления на корпус автомобиля: рис. **7**
  - Присоединение питающего провода 230 В: рис. **8** (INPUT)
  - Присоединение выходного провода 230 В: рис. **8** (OUTPUT)

## 9.3 Присоединение нескольких потребителей

Отпускаемые с завода приборы оснащены гальванической развязкой. Для безопасной работы нескольких потребителей требуется установка защитного автомата (устройства защитного отключения) в сетевой разветвитель.

- Установите устройство защитного отключения в сетевой разветвитель.

## 9.4 Присоединение пульта дистанционного управления (принадлежность)



### ВНИМАНИЕ!

Пульт дистанционного управления разрешается подключать только в порт Remote. Неправильное подключение может привести к повреждениям прибора.

- Подключите пульт дистанционного управления, как изображено на иллюстрации (рис. **9**).

## 9.5 Присоединение внешнего выключателя для включения и выключения



### УКАЗАНИЕ

Используйте кабели с поперечным сечением 0,25 – 0,75 мм<sup>2</sup>.

В качестве внешнего выключателя можно использовать:

- внешний выключатель, электропитание из инвертора: рис. 10 А
  - блок управления с релейным или транзисторным подключением (TR): рис. 10 В
  - внешний выключатель с электропитанием от батареи (БАТ) автомобиля: рис. 10 С
  - внешний выключатель с собственным электропитанием (DC POWER), например, от зажигания: рис. 10 D
- Установите главный выключатель (рис. 2 1) в положение «OFF».
  - Убедитесь, что разъем для пульта дистанционного управления (рис. 2 11) не занят.
  - Установите главный выключатель (рис. 2 1) в положение «РЕМО».
  - Подсоедините внешний выключатель соединительным кабелем к зажиму (рис. 2 12).

## 9.6 Подключение реле

Можно подключить реле, которое будет следить за подключением входа 230 В. Через реле можно подключить иммобилайзер, который блокирует автомобиль при подключении 230 В.

- Подключите реле, как изображено на схеме (рис. 11):
  - NO (Normally Open): рабочий контакт
  - COM (Common): переключающий контакт
  - NC (Normally Closed): контакт покоя

Технические характеристики реле:

Максимальное напряжение	Нагрузка	Потребляемый ток	
		NO	NC
250 В~	Омический	0,5 А	0,5 А
12 В/24 В===	Омический	1 А	1 А

## 10 Использование инвертора

### 10.1 Включение инвертора

- ▶ Включите главный выключатель (рис. **2** 1) инвертора следующим образом:
  - «**0**»: Полное отключение инвертора
  - «**I**»: Включение инвертора
  - «**II**»: Включение и выключение пульта дистанционного управления (**приобретается отдельно**)
- ▶ При включении инвертор выполняет диагностику.
- ✓ Если диагностика прошла успешно, светодиодный индикатор горит синим цветом (рис. **2** 2).

### 10.2 Рабочие индикаторы

Синий индикатор (рис. **2** 2) указывает на рабочее состояние инвертора.

Индикация	Входное напряжение
Горит непрерывно	Нормальный режим работы
Медленное мигание с короткими паузами	Перегрев или перегрузка инвертора
Быстрое мигание	Слишком высокое или низкое напряжение
Короткие сигналы с длительными перерывами	Отключение инвертора реле изоляции
Выключен	Другая неисправность

Инвертор отключается, если:

- напряжение батареи падает ниже 10 В (подключение 12 В $\leftarrow$ ) или 20 В (подключение 24 В $\leftarrow$ ).
- напряжение батареи превышает 16,5 В (подключение 12 В $\leftarrow$ ) или 33 В (подключение 24 В $\leftarrow$ ).
- Перегрузка инвертора.
- Перегрев инвертора.

- В этом случае выключите инвертор главным выключателем (рис. **2** 1).
- Проверьте, обеспечивается ли достаточная вентиляция инвертора и не перекрыты ли отверстия вентилятора и вентиляционные прорези.
- Подождите около 5 – 10 минут и снова включите инвертор без потребителей.

### 10.3 Настройка режима энергосбережения



#### УКАЗАНИЕ

Режим энергосбережения можно включить или выключить только с пульта дистанционного управления.

### 10.4 Настройка инвертора

Вы можете настроить прибор с помощью DIP-переключателей (рис. **2** 4).

#### Определение настроек

DIP-переключателем S1 можно определить, должна ли выполняться настройка параметров через разъем CI-BUS для пульта дистанционного управления или посредством DIP-переключателей.

Параметр	DIP-переключатель
	S1
Разъем для пульта дистанционного управления	Выключен
DIP-переключатель	Включен

#### Настройка сетевого напряжения

DIP-переключателем S2 можно настроить частоту сети.

Сетевое напряжение	DIP-переключатель
	S2
230 В/50 Гц	Выключен
240 В/60 Гц	Включен

## Настройка режима энергосбережения

DIP-переключателями S3 и S4 можно настроить режим энергосбережения, в котором батарея, к которой присоединен инвертор, не разряжается слишком быстро.

Инвертор работает в режиме энергосбережения, пока потребляемая мощность меньше заданного значения мощности. Если потребляемая мощность больше заданного значения мощности, инвертор работает в нормальном режиме.

Заданные значения мощности инвертора приведены в следующей таблице:

Режим энергосбережения	DIP-переключатель	
	S3	S4
Энергосберегающий режим активен, если нагрузка < 45 Вт Нормальный режим активен, если нагрузка > 45 Вт	Выключен	Выключен
Энергосберегающий режим активен, если нагрузка < 1 Вт Инвертор автоматически отключается через 20 мин эксплуатации в энергосберегающем режиме Нормальный режим активен, если нагрузка > 1 Вт	Включен	Выключен
Энергосберегающий режим активен, если нагрузка < 1 Вт Нормальный режим активен, если нагрузка > 1 Вт	Выключен	Включен
Энергосберегающий режим активен, если нагрузка $\geq$ 45 Вт Инвертор автоматически отключается через 20 мин эксплуатации в энергосберегающем режиме Нормальный режим активен, если нагрузка > 45 Вт	Включен	Включен

## Настройка типа сети

DIP-переключатель S5 позволяет выбрать тип сети, в которой будет использоваться инвертор.

Параметр	DIP-переключатель
	S5
Сеть TN Требуется внешнее последовательно подключенное <b>устройство защитного отключения</b> .	Выключен
Сеть IT Только один потребитель; если несколько потребителей, необходим внешний датчик состояния изоляции.	Включен

**Выполнять требования национальных норм!**

## 11 Уход и очистка инвертора



### ВНИМАНИЕ!

Не использовать для очистки острые или твердые предметы или чистящие средства, т. к. это может привести к повреждениям продукта.

- Периодически очищайте продукт влажной тряпкой.

## 12 Устранение неисправностей



### ПРЕДУПРЕЖДЕНИЕ!

Не вскрывайте прибор. Возможно поражение электрическим током!



### УКАЗАНИЕ

По вопросам, касающимся **характеристик инвертора**, обращайтесь к изготовителю (адреса см. на оборотной стороне инструкции).

Светодиодный индикатор (рис. **2** 2) сообщает о неполадке:

Светодиодный индикатор	Причина	Устранение
Быстрое мигание	Слишком высокое входное напряжение	Проверьте входное напряжение и уменьшите его.
	Слишком низкое входное напряжение	Необходимо зарядить батарею. Проверьте провода и соединения.
Сигналы 2 сек, с короткими паузами	Тепловая перегрузка	<p>Выключите инвертор и потребителей. Подождите около 5 – 10 минут и снова включите инвертор без потребителей.</p> <p>Уменьшите нагрузку и обеспечьте лучшую вентиляцию инвертора. После этого снова включите потребители.</p>
	Слишком большая нагрузка	<p>Выключите инвертор и отсоедините потребителей.</p> <p>Снова включите инвертор без потребителей. Если индикатор не сообщает о высокой нагрузке, это означает, что имеется короткое замыкание в потребителях или суммарная нагрузка была больше нагрузки, указанной в техническом паспорте.</p> <p>Проверьте провода и соединения. Вдавите предохранитель устройства.</p>
Выключен	Другая неисправность	Обратитесь в сервисный центр.

## 13 Гарантия

Действителен установленный законом срок гарантии. Если продукт неисправен, обратитесь в представительство изготовителя в Вашей стране (адреса см. на оборотной стороне инструкции) или в торговую организацию.

В целях проведения ремонта или гарантийного обслуживания Вы должны также послать следующие документы:

- копию счета с датой покупки,
- причину рекламации или описание неисправности.

## 14 Утилизация

- По возможности, выкидывайте упаковочный материал в мусор, подлежащий вторичной переработке.



Если Вы окончательно выводите продукт из эксплуатации, то получите информацию в ближайшем центре по вторичной переработке или в торговой сети о соответствующих предписаниях по утилизации.



## 15 Технические характеристики

Следующие технические данные касаются всех инверторов:

Выходное напряжение:	230/240 В~ ± 3 %, чистая синусоидальная волна (КНИ <3 %)
Выходная частота:	50/60 Гц ± 0,3 Гц
Отвод тепла:	вентилятор с управлением по температуре и нагрузке
Температура окружающей среды при эксплуатации:	от -20 °С до +60 °С
Температура окружающей среды при хранении:	от -30 °С до +70 °С
Регулирование мощности:	≥40 °С
Шунтирующее реле:	16 А/250 В~
Переключающее переключение с синхронизацией напряжения:	<20 мс
Относительная влажность воздуха:	0 – 95 %, без конденсации
Испытания/сертификат:	

	<b>DSP1312T</b>	<b>DSP1812T</b>	<b>DSP1324T</b>	<b>DSP1824T</b>
Артикул:	9600002551	9600002553	9600002552	9600002554
Входное номинальное напряжение:	12 В <sup>===</sup>		24 В <sup>===</sup>	
Диапазон входного напряжения:	10 – 16,5 В <sup>===</sup>		20 – 33 В <sup>===</sup>	
Номинальная мощность:	1200 Вт	1800 Вт	1200 Вт	1800 Вт
Максимальная мощность в течение 10 мин:	1300 Вт	1800 Вт	1300 Вт	1800 Вт
Максимальная мощность в течение 3 мин:	1380 Вт	2070 Вт	1380 Вт	2070 Вт
Выходная пиковая мощность (на 2 с):	2400 Вт	3600 Вт	2400 Вт	3600 Вт
Потребляемый ток холостого хода:	2,5 А	2,5 А	1,3 А	1,3 А
Потребление тока в режиме ожидания при номинальном напряжении:	<0,2 А	<0,2 А	<0,1 А	<0,1 А
КПД:	>89 %		>90 %	
Регулировка мощности при входном напряжении между 10,0 В и 10,5 В:	1020 Вт	1530 Вт	1020 Вт	1530 Вт
Регулировка мощности при температур более 40 °С:	1,75 % номинальной мощности на каждый градус выше 40 °С			
Размеры Ш x Д x В:	рис. 15			
Вес:	4,8 кг	6,1 кг	4,8 кг	6,1 кг

	<b>DSP2312T</b>	<b>DSP3512T</b>	<b>DSP2324T</b>	<b>DSP3524T</b>
Артикул:	9600002555	9600002557	9600002556	9600002558
Входное номинальное напряжение:	12 В $\equiv$		24 В $\equiv$	
Диапазон входного напряжения:	10 – 16,5 В $\equiv$		20 – 33 В $\equiv$	
Номинальная мощность:	2000 Вт	3000 Вт	2000 Вт	3000 Вт
Максимальная мощность на 10 мин ( $U_{IN} > 12,5$ В):	2300 Вт	3500 Вт	2300 Вт	3500 Вт
Максимальная мощность на 3 мин ( $U_{IN} > 10,5$ В):	2300 Вт	3500 Вт	2300 Вт	3500 Вт
Выходная пиковая мощность (на 2 с):	4000 Вт	6000 Вт	4000 Вт	6000 Вт
Потребляемый ток холостого хода:	2,8 А	3,6 А	1,4 А	1,8 А
Потребление тока в режиме ожидания при номинальном напряжении:	<0,2 А	<0,2 А	<0,15 А	<0,15 А
КПД:	>89 %		>90 %	
Регулировка мощности при входном напряжении между 10,0 В и 10,5 В:	1700 Вт	2600 Вт	1700 Вт	2600 Вт
Регулировка мощности при температур более 40 °С:	1,75 % номинальной мощности на каждый градус выше 40 °С			
Размеры Ш x Д x В:	рис. 15			
Вес:	6,6 кг	10,9 кг	6,6 кг	10,9 кг

**Защитные устройства**

	<b>12 В</b>	<b>24 В</b>
Вход:	низкое напряжение, защита от неправильной полярности (внутренний предохранитель)	
Выход переменного тока:	высокое напряжение, короткое замыкание, перегрузка	
Вход переменного тока:	защитный автомат 16 А	
Температура сублимации:	Отключение	
Защита от короткого замыкания:	да, I <sub>pk</sub>	

**Защита от повышенного напряжения**

<b>Прибор</b>	<b>Повышенное напряжение</b>	
	<b>Отключение</b>	<b>Перезапуск</b>
DSP1312T, DSP1812T, DSP2312T, DSP3512T	16,5 В	15,5 В
DSP1324T, DSP1824T, DSP2324T, DSP3524T	33 В	31 В

**Защита от пониженного напряжения**

<b>Прибор</b>	<b>Пониженное напряжение</b>	
	<b>Отключение</b>	<b>Перезапуск</b>
DSP1312T, DSP1812T, DSP2312T, DSP3512T	10 В	12 В
DSP1324T, DSP1824T, DSP2324T, DSP3524T	20 В	24 В

Действующее Заявление о соответствии стандартам ЕС для конкретного устройства можно найти на странице изделия на сайте [dometic.com](http://dometic.com) или запросить непосредственно у производителя (см. обратную сторону).

**Przed instalacją i uruchomieniem urządzenia należy uważnie przeczytać niniejszą instrukcję. Instrukcję należy zachować. W razie przekazywania urządzenia należy ją udostępnić kolejnemu nabywcy.**

## Spis treści

1	Objaśnienie symboli . . . . .	284
2	Ogólne wskazówki bezpieczeństwa . . . . .	284
3	W zestawie . . . . .	288
4	Osprzęt . . . . .	288
5	Odbiorcy instrukcji . . . . .	289
6	Użytkowanie zgodne z przeznaczeniem . . . . .	289
7	Opis techniczny . . . . .	289
8	Montaż przetwornicy . . . . .	292
9	Podłączanie przetwornicy . . . . .	294
10	Używanie przetwornicy . . . . .	297
11	Pielęgnacja i czyszczenie przetwornicy . . . . .	300
12	Usuwanie usterek . . . . .	301
13	Gwarancja . . . . .	302
14	Utylizacja . . . . .	302
15	Dane techniczne . . . . .	302

# 1 Objąśnienie symboli

**NIEBEZPIECZEŃSTWO!**

**Wskazówka dot. bezpieczeństwa:** Nieprzestrzeganie powoduje śmierć lub ciężkie obrażenia ciała.

**OSTRZEŻENIE!**

**Wskazówka dot. bezpieczeństwa:** Nieprzestrzeganie może prowadzić do śmierci lub ciężkich obrażeń ciała.

**UWAGA!**

Nieprzestrzeganie może prowadzić do powstania szkód materialnych i zakłóceń w działaniu produktu.

**WSKAZÓWKA**

Informacje uzupełniające dot. obsługi produktu.

## 2 Ogólne wskazówki bezpieczeństwa

### 2.1 Ogólne bezpieczeństwo

Producent nie odpowiada za szkody spowodowane:

- błędami powstałymi w trakcie montażu lub podłączania
- uszkodzeniem produktu w sposób mechaniczny lub spowodowany przeciążeniami elektrycznymi
- zmianami dokonanyymi w produkcie bez wyraźnej zgody producenta
- użytkowaniem w celach innych niż opisane w niniejszej instrukcji

Należy przestrzegać podstawowych zasad bezpieczeństwa obowiązujących przy używaniu urządzeń elektrycznych w celu ochrony przed:

- porażeniem prądem
- pożarem
- obrażeniami ciała

## 2.2 Podstawowe zasady bezpieczeństwa



### NIEBEZPIECZEŃSTWO!

- W przypadku pożaru należy użyć gaśnicy odpowiedniej do zastosowania w przypadku urządzeń elektrycznych.



### OSTRZEŻENIE!

- Urządzenie należy wykorzystywać zgodnie z jego przeznaczeniem.
- Należy także pamiętać, aby **nigdy** nie dotykać czerwonego oraz czarnego zacisku.
- Urządzenie należy odłączyć od sieci
  - przed każdym czyszczeniem i konserwacją
- W przypadku demontażu urządzenia:
  - Należy odłączyć wszystkie połączenia.
  - Należy upewnić się, iż wszystkie wejścia i wyjścia są pozbawione napięcia.
- Jeżeli chłodziarka lub kabel przyłączeniowy są w widoczny sposób uszkodzone, nie wolno używać chłodziarki.
- Gdy przewód przyłączeniowy ulegnie uszkodzeniu, musi zostać wymieniony przez producenta, jego serwis lub podobnie wykwalifikowaną osobę, aby uniknąć zagrożenia.
- Napraw mogą dokonywać tylko odpowiednio wykwalifikowane osoby. Niefachowe naprawy mogą spowodować poważne niebezpieczeństwo.
- Dzieci od 8 roku życia i osoby o ograniczonych możliwościach fizycznych, sensorycznych lub umysłowych oraz/lub osoby niedysponujące stosowną wiedzą i doświadczeniem mogą użytkować to urządzenie, o ile osoby te znajdują się pod nadzorem lub zostały poinstruowane w zakresie bezpiecznego użytkowania urządzenia i zrozumiały ewentualne zagrożenia wynikające z niewłaściwego użytkowania.
- **Urządzenia elektryczne nie są zabawkami dla dzieci!** Urządzenie należy stosować i przechowywać poza zasięgiem dzieci.
- Należy dopilnować, by dzieci nie bawiły się urządzeniem.



### UWAGA!

- Przed uruchomieniem należy porównać dane dotyczące napięcia na tabliczce znamionowej z dostępnym źródłem zasilania.
- Należy zwrócić uwagę na to, aby inne przedmioty **nie** spowodowały zwarcia przy stykach urządzenia.

- Wtyczki nie wolno nigdy wyciągać z gniazdka, ciągnąc za przewód przyłączeniowy.
- Urządzenie należy przechowywać w suchym i chłodnym miejscu.

## 2.3 Bezpieczeństwo podczas montażu urządzenia



### **NIEBEZPIECZEŃSTWO!**

- Nie należy montować urządzenia w obszarach, w których występuje niebezpieczeństwo wybuchu gazu lub pyłu.



### **OSTROŻNIE!**

- Należy zapewnić bezpieczną pozycję! Urządzenie musi być ustawione i przymocowane w taki sposób, aby nie mogło się przewrócić lub spaść.



### **UWAGA!**

- Nie należy trzymać urządzenia w pobliżu źródła ciepła (promieni słonecznych, ogrzewania itd.). Źródło ciepła spowoduje jego dodatkowe nagrzanie.
- Urządzenie należy ustawić w suchym miejscu, zabezpieczonym przed zachlapaniem.

## 2.4 Bezpieczeństwo podczas elektrycznego podłączenia urządzenia



### **NIEBEZPIECZEŃSTWO! Zagrożenie życia w wyniku porażenia prądem!**

- W przypadku wykonywania pracy z urządzeniami elektrycznymi należy upewnić się, iż w pobliżu znajduje się osoba, która może w nagłym przypadku udzielić pomocy.



### **OSTRZEŻENIE!**

- Należy zwrócić uwagę na wystarczający przekrój przewodu.
- Przewody należy układać tak, by uniknąć ich uszkodzenia przez drzwi lub maskę silnika.  
Zmiażdżone kable mogą spowodować obrażenia zagrażające życiu.



### **OSTROŻNIE!**

- Przewody należy układać tak, by uniknąć potykania się o nie i ich uszkodzenia.



**UWAGA!**

- Jeżeli przewody muszą zostać przeprowadzone przez blaszane ściany lub inne ściany o ostrych krawędziach, należy użyć pustych rurek lub przepustów przewodów.
- **Nie** należy układać przewodów sieciowych 230 V i przewodów prądu stałego 12 V w tym samym kanale kablowym (pusta rurka).
- **Nie** należy układać luźnych albo mocno zgiętych przewodów.
- Należy dobrze przymocować przewody.
- Nie ciągnąć za przewody.

## 2.5 Bezpieczeństwo podczas eksploatacji urządzenia

**NIEBEZPIECZEŃSTWO! Zagrożenie życia w wyniku porażenia prądem!**

- Nigdy nie wolno chwytać gołymi rękami nieosłoniętych przewodów.

**OSTRZEŻENIE!**

- Urządzenie można używać jedynie w zamkniętych oraz dobrze wentylowanych pomieszczeniach.

**OSTROŻNIE!**

- Urządzenia **nie** należy eksploatować:
  - w słonym, wilgotnym lub mokrym otoczeniu
  - w sąsiedztwie żrących oparów
  - w pobliżu materiałów palnych
  - w miejscach, w których istnieje zagrożenie wybuchem
- Przed użyciem należy sprawdzić, czy przewód i wtyczka są suche.
- Podczas wykonywania prac na urządzeniu należy zawsze odłączyć urządzenie od zasilania.
- Po włączeniu urządzenia ochronnego (bezpiecznika) części urządzenia pozostają pod napięciem.
- Nie należy luzować przewodów w trakcie pracy urządzenia.

**UWAGA!**

- Należy uważać, aby wloty i wyloty powietrza w urządzeniu nie były zasłonięte.
- Konieczne jest zapewnienie dobrej wentylacji.

### 3 W zestawie

<b>Poz. na rys. 1</b>	<b>Nazwa</b>
1	Przetwornica sinusoidalna
2	Przewód przyłączeniowy z łącznikiem wtykowym z zestykiem ochronnym (dla wyjścia 230 V~)
3	Przewód przyłączeniowy z wtyczką z zestykiem ochronnym (dla zasilania 230 V~)
-	Instrukcja obsługi

### 4 Osprzęt

<b>Nazwa</b>	<b>Nr prod.</b>
Pilot	9600002564
Monitor do kontroli zużycia energii	9600002565

## 5 Odbiorcy instrukcji

Ten rozdział rozdz. „Podłączanie przetwornicy” na stronie 294 przeznaczony jest wyłącznie dla specjalistów, którzy dysponują wiedzą w zakresie odpowiednich dyrektyw VDE.

Wszystkie pozostałe rozdziały skierowane są do użytkowników urządzenia.

## 6 Użytkowanie zgodne z przeznaczeniem



### OSTRZEŻENIE!

Przetwornicy nie wolno stosować w pojazdach, w których biegun dodatni akumulatora jest połączony z podwoziem.

Przetwornice służą do zamiany napięcia stałego w napięcie zmienne 230 – 240 V o częstotliwości 50 Hz lub 60 Hz:

- **12 V $\overline{=}$** : DSP1312T, DSP1812T, DSP2312T, DSP3512T
- **24 V $\overline{=}$** : DSP1324T, DSP1824T, DSP2324T, DSP3524T

## 7 Opis techniczny

Przetwornice można stosować wszędzie tam, gdzie występuje przyłącze DC.

- **12 V $\overline{=}$** : DSP1312T, DSP1812T, DSP2312T, DSP3512T
- **24 V $\overline{=}$** : DSP1324T, DSP1824T, DSP2324T, DSP3524T

Dzięki niewielkiej masie oraz zwartej konstrukcji urządzenie to można bez problemów zamontować w pojazdach turystycznych, pojazdach użytkowych oraz jachtach wyposażonych w silniki bądź żagle.

Napięcie wyjściowe odpowiada napięciu dostępnemu w gniazdach sieci domowej (czyste napięcie sinusoidalne, współczynnik zniekształceń nieliniowych <3 %).

Należy zapoznać się z wartościami trwałej i szczytowej mocy wyjściowej, zobacz rozdz. „Dane techniczne” na stronie 302. Nie wolno podłączać urządzeń o większym zapotrzebowaniu mocy.



### WSKAZÓWKA

Przy podłączaniu urządzeń z napędem elektrycznym (np. wiertarki, łódówki itd.) należy pamiętać, że przy rozruchu często wymagają one wyższej mocy niż podano na tabliczce znamionowej.

Przetwornica wyposażona jest w różne mechanizmy zabezpieczające:

- **Ochrona przed przepięciem:** Przetwornica wyłącza się wówczas, gdy wartość napięcia przekroczy wartość wyłączeniową. Włącza się ponownie po tym, jak napięcie spadnie do wartości ponownego uruchomienia.
- **Ochrona przed podnapięciem:** Przetwornica wyłącza się wówczas, gdy wartość napięcia spadnie poniżej wartości wyłączeniowej. Włącza się ponownie po tym, jak napięcie wzrośnie do wartości ponownego uruchomienia.
- **Ochrona przed zbyt wysoką temperaturą:** Przetwornica wyłącza się wówczas, gdy temperatura wewnątrz urządzenia lub temperatura elementu chłodzącego przekroczy wartość wyłączeniową. Włącza się ponownie po tym, jak napięcie wzrośnie do wartości ponownego uruchomienia.
- **Zabezpieczenie przeciążeniowe i zwarciove:** Dioda LED na przetwornicy sygnalizuje zakłócenie pracy, jeżeli podłączone obciążenie jest za duże lub nastąpiło zwarcie. Po zadziałaniu pod wpływem prądu nadmiarowego bezpiecznik musi zostać wciśnięty ręcznie.



#### WSKAZÓWKA

Poszczególne wartości przełączania, zobacz rozdz. „Dane techniczne” na stronie 302.

Przetwornica może pracować w następujących rodzajach sieci:

- **Sieć TN:**  
Przewód neutralny połączony jest z masą. Dodatkowo, w następnej kolejności musi być zainstalowany wyłącznik ochronny prądowy.
- **Sieć IT:**  
Obie fazy są zaizolowane. Nadaje się ona do pracy jednego odbiornika. Gdy podłączonych będzie więcej niż jeden odbiornik, należy stworzyć projekt zabezpieczenia (np. czujnikiem izolacji).

Rodzaj sieci konfiguruje się przełącznikiem DIP na przetwornicy.

Przetwornice DSP13xxT, DSP18xxT, DSP23xxT dysponują kablem przyłączeniowym z wtyczką i gniazdkiem, które są na stałe przymocowane do urządzenia. Przetwornica DSP 35xxT jest podłączana za pomocą złącz śrubowych PG bezpośrednio do zacisków przyłączeniowych.

Dzięki synchronizacji faz przetwornica dostosowuje się do długości fazy napięcia wejściowego AC. Pozwala to zapobiegać chwilowym przetężeniom podczas przełączania z zasilania akumulatorowego na zasilanie sieciowe.

Przetwornica nadaje się do eksploatacji wrażliwych odbiorników, ponieważ napięcie wyjściowe stanowi czystą falę sinusoidalną.

Przetwornica jest wyposażona w przełącznik pierwszeństwa. Jeśli dostępne jest napięcie zewnętrzne 230 V $\sim$ , wówczas będzie ono wykorzystywane w pierwszej kolejności. Jeśli nie jest dostępne napięcie zewnętrzne 230 V $\sim$ , do zasilania napięciem wykorzystany zostanie podłączony akumulator.

Przetwornicę można włączyć w trybie energooszczędnym, aby podłączony akumulator nie rozładował się zbyt szybko.

Za pomocą pilota (**akcesoria**) przetwornicę można włączać i wyłączać.

Ponadto przetwornica może być sterowana za pomocą monitora do kontroli zużycia energii (**akcesoria**).

## 7.1 Elementy obsługowe

Poz. na rys. <b>2</b>	Nazwa	Opis
1	Główny przełącznik	<b>0</b> : Trwale wyłącza urządzenie <b>I</b> : Trwale włącza urządzenie <b>II</b> : Urządzenie może być włączane oraz wyłączane za pomocą pilota ( <b>akcesoria</b> )
2	Dioda LED statusu	Patrz rozdz. „Wskaźniki trybu pracy” na stronie 297
3	Bezpiecznik	Chroni przetwornicę przed przeciążeniem. Po zadziałaniu bezpiecznika można go z powrotem wcisnąć.
4	Przełącznik DIP	Dokonuje ustawień przetwornika Patrz rozdz. „Ustawianie przetwornicy” na stronie 298

## 7.2 Podłączenia



### WSKAZÓWKA

Ilustracja przedstawia wersję na Europę kontynentalną

Poz. na rys. <b>2</b>	Opis
5	Wejście 230 V~ ( <b>DSP 35xxT</b> : złącze śrubowe PG)
6	Wyjście 230 V~ ( <b>DSP 35xxT</b> : złącze śrubowe PG)
7	Zacisk masy (uziemiaenie na karoserii samochodu)
8	Zacisk plus
9	Zacisk minus
10	Przyłącza CI/LIN-BUS (LINA)
11	Przyłącze pilota (LINB)
12	Przyłącze zdalnego przełącznika
13	Wentylator (odwrotna strona)

## 8 Montaż przetwornicy



### WSKAZÓWKA

Przed instalacją przetwornicy należy podłączyć wszystkie przewody, ponieważ umożliwi to łatwy dostęp do wszystkich przyłączy.

### 8.1 Wymagane narzędzia

Do **podłączenia elektrycznego** potrzebne są następujące narzędzia:

- Obcęgi zaciskowe
- 3 różnobarwne elastyczne kable przyłączeniowe. Wymagany przekrój jest podany w tabeli w rozdz. „Podłączanie przetwornicy” na stronie 294.
- Końcówki kablowe i tulejki zaciskowe do żył

Do **zamocowania** przetwornicy potrzebne są następujące materiały montażowe:

- śruby maszynowe (M4) z podkładkami i śrubami samozabezpieczającymi lub
- wkręty do blach lub drewna.

## 8.2 Zasady montażu

Przed wyborem miejsca montażu należy uwzględnić następujące wskazówki:

- Przetwornicę można montować zarówno poziomo, jak i pionowo.
- Przetwornicę należy zamontować w miejscu chronionym przed wilgocią.
- Nie wolno montować przetwornicy w otoczeniu materiałów palnych.
- Przetwornicy nie wolno montować w zakurzonej otoczeniu.
- Miejsce montażu musi być dobrze wentylowane. W przypadku instalacji w zamkniętych, małych pomieszczeniach powinno być zapewnione napowietrzanie i odpowietrzanie. Minimalna wolna przestrzeń wokół przetwornicy musi wynosić co najmniej 5 cm (rys. **3**).
- Nie należy przykrywać otworów wentylacyjnych z przodu i z tyłu przetwornicy.
- Przy temperaturach otoczenia, powyżej 40 °C (np. w komorach silnika lub ogrzewania, bezpośrednio oddziaływanie promieni słonecznych), przetwornica może się wyłączyć, mimo że moc podłączonych odbiorników będzie wynosiła poniżej obciążenia znamionowego (zmniejszanie dopuszczalnego obciążenia).
- Powierzchnia montażu musi być równa i wystarczająco wytrzymała.



### **UWAGA!**

Przed wykonaniem jakichkolwiek nawierceń należy się upewnić, że kable elektryczne bądź inne części samochodu nie zostaną uszkodzone w wyniku wiercenia i piłowania.

## 8.3 Montaż przetwornicy

- ▶ Zamontować przetwornicę, jak pokazano na rysunku (rys. **4**).

## 9 Podłączanie przetwornicy

### 9.1 Ogólne wskazówki



#### OSTRZEŻENIE!

- Podłączenie przetwornicy może być wykonywane wyłącznie przez odpowiednio wyszkolonych specjalistów. Poniższe informacje są skierowane do specjalistów, którzy zapoznali się z odpowiednimi wytycznymi i środkami bezpieczeństwa.
- W przypadku pojazdów, w których biegun dodatni akumulatora jest połączony z podwoziem, **nie** wolno używać przetwornicy.
- Jeżeli na **przewodzie dodatnim** akumulatora nie zostanie zainstalowany bezpiecznik, może dojść do przecięcia przewodów, a w konsekwencji do pożaru.

- Przetwornica w przypadku instalacji w pojazdach oraz na łodziach musi zostać połączona z podwoziem lub masą.
- Podczas montowania obwodu rozdzielczego gniazd wtykowych (budowy sieci) należy przestrzegać przepisów VDE 0100.
- Należy stosować wyłącznie kable miedziane.
- Długość kabla powinna być jak najmniejsza (< 1 m).
- W celu wykonania uziemienia należy użyć kabla o minimalnym przekroju 4 mm<sup>2</sup>.
- Należy zastosować kabel o wymaganym przekroju i zainstalować bezpiecznik kablowy (rys. 6 1) na przewodzie plusowym jak najbliżej akumulatora (patrz tabela).

Urządzenie	Wymagany przekrój kabla	Bezpiecznik kabla
DSP1312T	35 mm <sup>2</sup>	200 A
DSP1324T	25 mm <sup>2</sup>	150 A
DSP1812T	50 mm <sup>2</sup>	250 A
DSP1824T	25 mm <sup>2</sup>	150 A
DSP2312T	70 mm <sup>2</sup>	300 A
DSP2324T	35 mm <sup>2</sup>	200 A
DSP3512T	2 x 50 mm <sup>2</sup>	2 x 250 A
DSP3524T	50 mm <sup>2</sup>	250 A



## 9.2 Podłączanie przetwornicy



### OSTRZEŻENIE!

Przed podłączeniem przewodu wyjściowego prądu przemiennego należy upewnić się, iż przetwornica została wyłączona za pomocą przełącznika głównego.



### UWAGA!

Uważać, aby nie pomylić położenia biegunów. Nieprawidłowa biegunowość może spowodować uszkodzenie przetwornicy.



### WSKAZÓWKA

Należy dokręcić śruby lub nakrętki z maksymalnym momentem obrotowym 15 Nm. Luźne połączenia mogą prowadzić do przegrzania.

- Podłączyć przetwornicę, jak pokazano na rysunku.
  - Podłączanie akumulatora: rys. **5** i rys. **6**
  - Podłączanie zacisku masy: rys. **7**
  - Podłączanie przewodu zasilającego 230 V: rys. **8** (INPUT)
  - Podłączanie przewodu wyjściowego 230 V: rys. **8** (OUTPUT)

## 9.3 Podłączanie wielu odbiorników

Dostarczane urządzenie jest wyposażone w separator galwaniczny. W celu zagwarantowania bezpiecznej pracy wielu odbiorników bezwzględnie wymagane jest zainstalowanie przełącznika bezpieczeństwa (wyłącznika FI) w obwodzie rozdzielczym z gniazdem wtykowym.

- W obwodzie rozdzielczym z gniazdem wtykowym należy umieścić wyłącznik FI.

## 9.4 Podłączanie pilota (osprzęt)



### UWAGA!

Złącze do pilota należy podłączać tylko do portu zdalnego. Nieprawidłowe podłączenie może spowodować uszkodzenie urządzenia.

- Podłączyć pilota zgodnie z rysunkiem (rys. **9**).

## 9.5 Podłączanie zewnętrznego przełącznika do włączania i wyłączenia



### WSKAZÓWKA

W tym celu należy użyć kabla o przekroju 0,25 – 0,75 mm<sup>2</sup>.

Jako wyłącznik zewnętrzny można wykorzystać jedno z następujących urządzeń:

- Zewnętrzny przełącznik, zasilanie z przetwornicy: rys. 10 A
  - Jednostka sterująca z okablowaniem przekaźnika lub tranzystora (TR): rys. 10 B
  - Zewnętrzny przełącznik z zasilaniem napięciem za pomocą akumulatora (BAT) pojazdu: rys. 10 C
  - Zewnętrzny przełącznik z własnym zasilaniem napięciem (DC POWER), np. przed zapłonem: rys. 10 D
- Wyłącznik główny (rys. 2 1) należy ustawić w pozycji „OFF”.
  - Upewnić się, że przyłączy pilota (rys. 2 11) jest wolne.
  - Wyłącznik główny (rys. 2 1) należy ustawić w pozycji „REMO”.
  - Należy podłączyć zewnętrzny przełącznik do włączania/wyłączenia za pomocą kabla przyłączeniowego do zacisku (rys. 2 12).

## 9.6 Podłączanie przekaźnika

Można podłączyć przekaźnik wskazujący, czy wejście 230 V zostało podłączone. W ten sposób można wykonać blokadę przeciwuruchomieniową zabezpieczającą przed niepowołanym uruchomieniem pojazdu, gdy wejście 230 V jest podłączone.

- Przekaźnik należy podłączyć w następujący sposób (rys. 11):
  - NO (Normally Open): Styk roboczy
  - COM (Common): Styk zmienny
  - NC (Normally Closed): Styk spoczynkowy

Specyfikacja przekaźnika:

Maksymalne napięcie	Obciążenie	Pobór prądu	
		NO	NC
250 V~	omowy	0,5 A	0,5 A
12 V/24 V===	omowy	1 A	1 A

## 10 Używanie przetwornicy

### 10.1 Włączyć przetwornicę

- ▶ Wyłącznik główny (rys. **2** 1) przetwornicy ustawić w następujący sposób:
  - „0”: w celu trwałego wyłączenia przetwornicy
  - „I”: w celu trwałego włączenia przetwornicy
  - „II”: w celu umożliwienia włączania i wyłączenia przetwornicy za pomocą pilota (**akcesoria**)
- ▶ Po włączeniu przetwornica przeprowadza autotest.
- ✓ Po prawidłowym zakończeniu autotestu dioda LED świeci w kolorze niebieskim (rys. **2** 2).

### 10.2 Wskaźniki trybu pracy

Niebieska dioda LED (rys. **2** 2) sygnalizuje stan pracy przetwornicy.

Wskaźnik	Napięcie wejściowe
Ciągłe światło	Tryb zwykły
Długie miganie, krótka przerwa	Przetwornica przegrzana/przeciążenie
Szybkie miganie	Przebiecie/podnapięcie
Krótkie miganie, długa przerwa	Czujnik izolacji wyłączył przetwornicę
Wył.	Inny błąd

Przetwornica wyłącza się, gdy:

- Napięcie akumulatora spada poniżej 10 V (przyłącze 12 V $\overline{=}$ ) wzgl. 20 V (przyłącze 24 V $\overline{=}$ ).
- Napięcie akumulatora wzrasta powyżej 16,5 V (przyłącze 12 V $\overline{=}$ ) wzgl. 33 V (przyłącze 24 V $\overline{=}$ ).
- Przetwornica zostaje przeciążona.
- Przetwornica zostaje przegrzana.

- W takim przypadku należy wyłączyć przetwornicę wyłącznikiem głównym (rys. 2 1).
- Należy sprawdzić, czy przetwornica jest dobrze wentylowana i czy otwory wentylatora i szczeliny wentylacyjne nie są zablokowane.
- Odczekać ok. 5 – 10 min. i ponownie włączyć przetwornicę bez odbiorników.

### 10.3 Ustawianie trybu energooszczędnego



#### WSKAZÓWKA

Tryb energooszczędny może być włączany i wyłączany tylko za pomocą pilota.

### 10.4 Ustawianie przetwornicy

Urządzenie można dostosować za pomocą przełączników DIP (rys. 2 4).

#### Określanie ustawień

Przełącznikiem DIP S1 można ustalić, czy parametry będą ustawiane przez złącze panelu obsługi CI-BUS czy przez przełącznik DIP.

Parametr	Przełącznik DIP
	S1
Złącze do pilota	Wył.
Przełącznik DIP	Włączony

#### Ustawianie napięcia sieciowego

Za pomocą przełącznika DIP S2 można ustawić napięcie sieciowe.

Napięcie sieciowe	Przełącznik DIP
	S2
230 V/50 Hz	Wył.
240 V/60 Hz	Włączony

## Ustawianie trybu energooszczędnego

Za pomocą przełączników DIP S3 i S4 można ustawiać tryb energooszczędny. W tym trybie akumulator, do którego podłączona jest przetwornica, rozładowuje się wolniej.

Przetwornica pracuje w trybie energooszczędnym dopóki wymagana moc jest mniejsza od ustawionej wartości. Gdy wymagana moc jest wyższa od ustawionej, przetwornica pracuje w trybie normalnym.

Ustawiane wartości dla przetwornicy zostały przedstawione w poniższej tabeli.

Tryb oszczędzania energii	Przełącznik DIP	
	S3	S4
Tryb energooszczędny jest aktywowany, jeśli obciążenie < 45 W Zwykły tryb jest aktywowany, jeśli obciążenie < 45 W	Wył.	Wył.
Tryb energooszczędny jest aktywowany, jeśli obciążenie < 1 W Przetwornica odłączy się automatycznie po 20 minutach eksploatacji w trybie energooszczędnym Zwykły tryb jest aktywowany, jeśli obciążenie < 1 W	Włączony	Wył.
Tryb energooszczędny jest aktywowany, jeśli obciążenie < 1 W Zwykły tryb jest aktywowany, jeśli obciążenie < 1 W	Wył.	Włączony
Tryb energooszczędny jest aktywowany, jeśli obciążenie $\geq$ 45 W Przetwornica odłączy się automatycznie po 20 minutach eksploatacji w trybie energooszczędnym Zwykły tryb jest aktywowany, jeśli obciążenie < 45 W	Włączony	Włączony

## Wybór rodzaju sieci

Za pomocą przełącznika DIP S5 można ustalić rodzaj sieci, w jakim będzie używana przetwornica.

Parametr	Przełącznik DIP
	S5
Sieć TN Niezbędny jest zewnętrzny, zainstalowany w następnym kolejności <b>wyłącznik ochronny prądowy</b> .	Wył.
Sieć IT Praca wyłącznie z jednym podłączonym odbiornikiem lub instalacja zewnętrznego czujnika izolacji. <b>Przestrzegać krajowych norm!</b>	Włączony

## 11 Pielęgnacja i czyszczenie przetwornicy



### UWAGA!

Do czyszczenia nie należy używać ostrych i twardych środków czyszczących; mogą one uszkodzić produkt.

- Od czasu do czasu należy czyścić produkt wilgotną ściereczką.

## 12 Usuwanie usterek



### OSTRZEŻENIE!

Nie wolno otwierać urządzenia. W ten sposób użytkownik naraziłby się na niebezpieczeństwo porażenia prądem elektrycznym!



### WSKAZÓWKA

W przypadku szczegółowych pytań dotyczących **danych przetwornicy** należy skontaktować się z jej producentem (adresy na odwrocie instrukcji).

Dioda LED (rys. **2** 2) sygnalizuje błąd:

Wskazanie diody LED	Przyczyna	Usuwanie
Szybkie miganie	Zbyt wysokie napięcie wejściowe	Należy sprawdzić napięcie wejściowe i zredukować je.
	Zbyt niskie napięcie wejściowe	Należy naładować akumulator. Należy sprawdzić przewody i połączenia.
Świecenie przez 2 sekundy, krótkie przerwanie	Przebiegnięcie termiczne	Należy sprawdzić przetwornicę oraz odbiorniki. Należy odczekać ok. 5 – 10 minut i ponownie włączyć przetwornicę bez odbiorników. Należy zredukować obciążenie i zadbać o lepszą wentylację przetwornicy. Następnie należy ponownie włączyć odbiornik.
	Zbyt wysokie obciążenie	Należy wyłączyć przetwornicę i usunąć odbiorniki. Następnie należy ponownie włączyć przetwornicę bez odbiorników. Jeśli teraz nie będzie wskazywane zbyt wysokie obciążenie, zwarcie występuje w odbiorniku lub łączne obciążenie było wyższe niż moc podana w specyfikacji. Należy sprawdzić przewody i połączenia. Ponownie wcisnąć bezpiecznik urządzenia.
Wył.	Inny błąd	W celu przeprowadzenia naprawy należy zwrócić się do działu serwisowego.

## 13 Gwarancja

Warunki gwarancji zostały opisane w Karcie Gwarancyjnej dołączonej do produktu.

W celu naprawy lub rozpatrzenia gwarancji konieczne jest przesłanie:

- kopii rachunku z datą zakupu,
- informacji o przyczynie reklamacji lub opisu wady.

## 14 Utylizacja



- Opakowanie należy wyrzucić do odpowiedniego pojemnika na śmieci do recyklingu.



Jeżeli produkt nie będzie dłużej eksploatowany, koniecznie dowiedz się w najbliższym zakładzie recyklingu lub w specjalistycznym sklepie, jakie są aktualnie obowiązujące przepisy dotyczące utylizacji.

## 15 Dane techniczne

Poniższe dane techniczne dotyczą wszystkich wersji przetwornicy:

Napięcie wyjściowe:	230/240 V~ ± 3 %, czysta fala sinusoidalna (współczynnik zniekształceń nieliniowych <3 %)
Częstotliwość wyjściowa:	50/60 Hz ± 0,3 Hz
Odprowadzanie ciepła:	wentylator uruchamiający się w zależności od temperatury i obciążenia
Temperatura otoczenia przy pracy:	-20 °C do +60 °C
Temperatura otoczenia przy składowaniu:	-30 °C do +70 °C
Regulacja mocy:	≥40 °C
Przełącznik mostkujący:	16 A/250 V~
Przełącznik mostkujący z synchronizacją napięcia:	<20 ms
Wilgotność powietrza:	0 – 95 %, nieskroplone
Kontrola/certyfikat:	 



	<b>DSP1312T</b>	<b>DSP1812T</b>	<b>DSP1324T</b>	<b>DSP1824T</b>
Nr kat.:	9600002551	9600002553	9600002552	9600002554
Napięcie znamionowe wejściowe:	12 V $\equiv$		24 V $\equiv$	
Zakres napięcia wejściowego:	10 – 16,5 V $\equiv$		20 – 33 V $\equiv$	
Moc znamionowa:	1200 W	1800 W	1200 W	1800 W
Moc maksymalna przez 10 min:	1300 W	1800 W	1300 W	1800 W
Moc maksymalna przez 3 min:	1380 W	2070 W	1380 W	2070 W
Moc szczytowa przez 2 s:	2400 W	3600 W	2400 W	3600 W
Pobór prądu bez obciążenia:	2,5 A	2,5 A	1,3 A	1,3 A
Pobór prądu w trybie czuwania przy napięciu sieci:	<0,2 A	<0,2 A	<0,1 A	<0,1 A
Sprawność:	>89 %		>90 %	
Dostosowanie mocy przy napięciu na wejściu między 10,0 V a 10,5 V:	1020 W	1530 W	1020 W	1530 W
Dostosowanie mocy w temperaturach powyżej 40 °C:	1,75 % mocy nominalnej na stopień powyżej 40 °C			
Wymiary Sz x D x W:	rys. <b>15</b>			
Waga:	4,8 kg	6,1 kg	4,8 kg	6,1 kg

	<b>DSP2312T</b>	<b>DSP3512T</b>	<b>DSP2324T</b>	<b>DSP3524T</b>
Nr kat.:	9600002555	9600002557	9600002556	9600002558
Napięcie znamionowe wejściowe:	12 V $\overline{=}$		24 V $\overline{=}$	
Zakres napięcia wejściowego:	10 – 16,5 V $\overline{=}$		20 – 33 V $\overline{=}$	
Moc znamionowa:	2000 W	3000 W	2000 W	3000 W
Maksymalna moc przez 10 min. ( $U_{IN} > 12,5 V$ ):	2300 W	3500 W	2300 W	3500 W
Maksymalna moc przez 3 min. ( $U_{IN} > 10,5 V$ ):	2300 W	3500 W	2300 W	3500 W
Moc szczytowa przez 2 s:	4000 W	6000 W	4000 W	6000 W
Pobór prądu bez obciążenia:	2,8 A	3,6 A	1,4 A	1,8 A
Pobór prądu w trybie czuwania przy napięciu sieci:	<0,2 A	<0,2 A	<0,15 A	<0,15 A
Sprawność:	>89 %		>90 %	
Dostosowanie mocy przy napięciu na wejściu między 10,0 V a 10,5 V:	1700 W	2600 W	1700 W	2600 W
Dostosowanie mocy w temperaturach powyżej 40 °C:	1,75 % mocy nominalnej na stopień powyżej 40 °C			
Wymiary Sz x D x W:	rys. <b>15</b>			
Waga:	6,6 kg	10,9 kg	6,6 kg	10,9 kg

**Urządzenia zabezpieczające**

	12 V	24 V
Wejście:	Pod napięcie, zabezpieczenie przed nieprawidłowym podłączeniem biegunów (bezpiecznik wewnętrzny)	
Wyjście AC:	Przebieżenie, zwarcie, przeciążenie	
Wejście AC:	Wyłącznik różnicowoprądowy 16 A	
Temperatura:	Wyłączenie	
Ochrona przed zwarcieniem:	Tak, Ipk	

**Ochrona przed przebieżeniem**

Urządzenie	Nad napięcie	
	Wyłączenie	Ponowne uruchomienie
DSP1312T, DSP1812T, DSP2312T, DSP3512T	16,5 V	15,5 V
DSP1324T, DSP1824T, DSP2324T, DSP3524T	33 V	31 V

**Ochrona przed pod napięciem**

Urządzenie	Pod napięcie	
	Wyłączenie	Ponowne uruchomienie
DSP1312T, DSP1812T, DSP2312T, DSP3512T	10 V	12 V
DSP1324T, DSP1824T, DSP2324T, DSP3524T	20 V	24 V

Aktualną deklarację zgodności UE dla urządzenia znajdują Państwo na podstronie danego produktu na stronie [dometic.com](http://dometic.com) lub bezpośrednio u producenta (zob. na odwrocie).

**Pred montážou a uvedením do prevádzky si prosím pozorne prečítajte tento návod a odložte si ho. V prípade odovzdania výrobku ďalšiemu používateľovi mu odovzdajte aj tento návod.**

## Obsah

1	Vysvetlenie symbolov . . . . .	307
2	Všeobecné bezpečnostné upozornenia . . . . .	307
3	Rozsah dodávky . . . . .	310
4	Príslušenstvo . . . . .	311
5	Cieľová skupina tohto návodu . . . . .	311
6	Používanie v súlade s určením . . . . .	311
7	Technický opis. . . . .	311
8	Montáž striedača. . . . .	314
9	Pripojenie striedača . . . . .	316
10	Používanie striedača . . . . .	319
11	Ošetrovanie a čistenie striedača. . . . .	322
12	Odstraňovanie porúch . . . . .	323
13	Záruka . . . . .	324
14	Likvidácia . . . . .	324
15	Technické údaje . . . . .	325

# 1 Vysvetlenie symbolov

**NEBZPEČENSTVO!**

**Bezpečnostný pokyn:** Nerešpektovanie vedie k smrti alebo k ťažkému zraneniu.

**VÝSTRAHA!**

**Bezpečnostný pokyn:** Nerešpektovanie môže viesť k smrti alebo k ťažkému zraneniu.

**POZOR!**

Nerešpektovanie môže viesť k materiálnym škodám a môže ovplyvniť funkciu zariadenia.

**POZNÁMKA**

Doplňujúce informácie k obsluhu výrobku.

## 2 Všeobecné bezpečnostné upozornenia

### 2.1 Všeobecná bezpečnosť

Výrobca v nasledujúcich prípadoch nepreberá za škody žiadnu záruku:

- Chyby montáže alebo pripojenia
- Poškodenia produktu mechanickými vplyvmi a prepätiami
- Zmeny produktu bez vyjadreného povolenia výrobcu
- Použitie na iné účely ako sú účely uvedené v návode

Rešpektujte nasledujúce zásadné bezpečnostné opatrenia pri používaní elektrických prístrojov na ochranu pred:

- zásahom elektrického prúdu,
- nebezpečenstvom požiaru,
- zraneniami.

## 2.2 Základná bezpečnosť



### NEBZPEČENSTVO!

- V prípade požiaru použite hasiaci prístroj, ktorý je vhodný na elektrické prístroje.



### VÝSTRAHA!

- Používajte prístroj iba na účely, na ktoré je určený.
- Dávajte pozor na to, aby sa červená a čierna svorka **nikdy** navzájom nedotkli.
- Odpojte prístroj od siete
  - pred každým čistením a ošetrovaním,
- Ak prístroj demontujete:
  - Odpojte všetky spoje.
  - Uistite sa, že sú všetky vstupy a výstupy bez napätia.
- Keď má prístroj alebo pripájací kábel viditeľné poškodenia, nesmiete prístroj uviesť do prevádzky.
- Keď je poškodený pripájací kábel tohto prístroja, musí ho vymeniť výroba, jeho zákaznícka služba alebo podobne kvalifikovaná osoba, aby sa zabránilo ohrozeniam.
- Opravy na tomto prístroji smú vykonávať len odborníci. Neodbornými opravami môžu vzniknúť značné nebezpečenstvá.
- Prístroj smú používať deti od 8 rokov a osoby so zníženými psychickými, zmyslovými alebo mentálnymi schopnosťami a vedomosťami, keď sú pod dozorom alebo keď boli poučené o bezpečnom používaní prístroja a keď chápu, aké riziká z toho vyplývajú.
- **Elektrické prístroje nie sú hračkou pre deti!**  
Prístroj používajte mimo dosahu detí.
- Deti by mali byť pod dozorom, aby sa zabezpečilo, že sa nebudú hrať s týmto prístrojom.



### POZOR!

- Pred uvedením do prevádzky porovnajte údaj o napätí na výrobnom štítku s prítomným zásobovaním energiou.
- Dávajte pozor na to, aby iné predmety nespôsobili **žiadny** skrat na kontaktoch prístroja.
- Neťahajte zástrčku zo zásuvky nikdy za pripájací kábel.
- Uschovajte prístroj na suchom a chladnom mieste.

## 2.3 Bezpečnosť pri montáži prístroja



### NEBZPEČENSTVO!

- Nemontujte prístroj v oblastiach, v ktorých existuje nebezpečenstvo výbuchu plynov alebo prachu.



### UPOZORNENIE!

- Dávajte pozor na bezpečné postavenie! Prístroj musí byť postavený a upevnený tak bezpečne, aby sa nemohol prevrátiť alebo spadnúť.



### POZOR!

- Nevystavte prístroj žiadnemu tepelnému zdroju (slnečné žiarenie, kúrenie atď.). Vyhnete sa tak dodatočnému zohriatiu prístroja.
- Prístroj osadzte na suchom mieste, ktoré je chránené pred striekajúcou vodou.

## 2.4 Bezpečnosť pri elektrickom pripájaní prístroja



### NEBZPEČENSTVO! Nebezpečenstvo ohrozenia života zásahom elektrického prúdu!

- Keď pracujete na elektrických zariadeniach, uistite sa, že je niekto nablízku, kto by vám mohol v núdzovom prípade pomôcť.



### VÝSTRAHA!

- Dávajte pozor na dostatočný prierez kábla.
- Položte káble tak, aby sa nepoškodili dverami alebo kapotou motora. Privrznuté káble môžu spôsobiť život ohrozujúce zranenia.



### UPOZORNENIE!

- Položte káble tak, aby nevzniklo žiadne nebezpečenstvo zakopnutia a vylúčilo sa poškodenie kábla.



### POZOR!

- Použite prázdne rúrky alebo káblové priechodky, keď sa káble musia prevliecť cez plechové steny alebo iné steny s ostrými hranami.
- Neuložte** 230 V sieťové káble a 12 V káble jednosmerného prúdu v rovnakom káblovom kanáli (prázdna rúrka).
- Nepoložte** káble voľne alebo ostro zalomené.
- Káble dobre upevnite.
- Neťahajte za káble.

## 2.5 Bezpečnosť pri prevádzke zariadenia



### NEBZPEČENSTVO! Nebezpečenstvo ohrozenia života zásahom elektrického prúdu!

- Nikdy sa nedotýkajte holými rukami obnažených vodičov.



### VÝSTRAHA!

- Používajte prístroj výlučne v uzavretých, dobre vetraných miestnostiach.



### UPOZORNENIE!

- **Neprevádzkujte** prístroj
  - v prostredí, ktoré obsahuje soľ, ani vo vlhkom alebo mokrom prostredí,
  - v blízkosti agresívnych pár,
  - v blízkosti horľavých materiálov,
  - v oblastiach s nebezpečenstvom výbuchu.
- Pred uvedením do prevádzky dávajte pozor na to, aby boli prírodný kábel a zástrčka suché.
- Pri práci na prístroji vždy prerušte zásobovanie prúdom.
- Rešpektujte, že aj po aktivácii ochranného zariadenia (poistka) môžu časti prístroja ostať pod napätím.
- Neodpájajte žiadne káble, keď je prístroj ešte v prevádzke.



### POZOR!

- Dávajte pozor na to, aby neboli vstupy a výstupy vzduchu na prístroji zakryté.
- Dbajte na dobré vetranie.

## 3 Rozsah dodávky

Pol. na obr. 1	Označenie
1	Sínusový menič
2	Pripojovací kábel s ochrannou spojkou (pre výstup 230 V~)
3	Pripojovací kábel s ochrannou zástrčkou (pre napájanie 230 V~)
–	Návod na obsluhu



## 4 Príslušenstvo

Označenie	Č. výrobku
Diaľkové ovládanie	9600002564
Monitor energie	9600002565

## 5 Cieľová skupina tohto návodu

kap. „Pripojenie striedača“ na strane 316 je určená výlučne pre odborníkov, ktorí sú oboznámení s príslušnými smernicami VDE.

Všetky ostatné kapitoly sú určené aj pre používateľa prístroja.

## 6 Používanie v súlade s určením



### VÝSTRAHA!

Striedač sa nesmie používať vo vozidlách, v ktorých je kladný pól batérie spojený s kostrou.

Striedače slúžia na premieňanie jednosmerného napätia na 230 V – 240 V striedavé napätie 50 Hz alebo 60 Hz.

- **12 V**: DSP1312T, DSP1812T, DSP2312T, DSP3512T
- **24 V**: DSP1324T, DSP1824T, DSP2324T, DSP3524T

## 7 Technický opis

Striedače sa dajú prevádzkovať všade tam, kde je k dispozícii prípojka jednosmerného napätia.

- **12 V**: DSP1312T, DSP1812T, DSP2312T, DSP3512T
- **24 V**: DSP1324T, DSP1824T, DSP2324T, DSP3524T

Vďaka nízkej hmotnosti a kompaktnej konštrukcii sa prístroj dá ľahko zabudovať do cestovných automobilov, úžitkových vozidiel alebo do motorových lodí a plachetníc.

Výstupné napätie zodpovedá napätiu v elektrickej sieti domácnosti zo zásuvky (čisté sínusové napätie, činiteľ harmonického skreslenia <3 %).

Dbajte na hodnoty trvalého výstupného výkonu a špičkového výstupného výkonu, ako sú uvedené v kap. „Technické údaje“ na strane 325. Zariadenia, ktoré majú vyšší príkon, sa nesmú pripájať.

**POZNÁMKA**

Pri pripojení zariadení s elektrickým pohonom (napr. vrtáčka, chladnička atď.) si uvedomte, že na rozbeh potrebujú často vyšší výkon, ako je uvedený na typovom štítku.

Striedač je vybavený rôznymi ochrannými mechanizmami:

- **Prepätiová ochrana:** Striedač sa vypne, keď hodnota napätia prekročí hodnotu vypnutia. Opäť sa zapne, keď napätie klesne na hodnotu opätovného zapnutia.
- **Podpätiová ochrana:** Striedač sa vypne, keď hodnota napätia klesne pod hodnotu vypnutia. Opäť sa zapne, keď napätie stúpne na hodnotu opätovného zapnutia.
- **Ochrana v prípade nadmernej teploty:** Striedač sa vypne, keď teplota v rámci prístroja alebo teplota na chladiacom telese prekročí hodnotu vypnutia. Opäť sa zapne, keď napätie stúpne na hodnotu opätovného zapnutia.
- **Ochrana pred preťažením a pred skratom:** LED na striedači hlási prevádzkovú poruchu (červené neprerušované svetlo), keď je pripojená príliš veľká záťaž alebo vznikol skrat. Poistka zariadenia sa musí po tom, ako sa pri nadmernom prúde aktivovala, znova manuálne zatlačiť.

**POZNÁMKA**

Jednotlivé hodnoty spínania nájdete v kap. „Technické údaje“ na strane 325.

Striedač je možné prevádzkovať v nasledujúcich sieťových formách:

- **TN sieť:**  
Neutrálny vodič striedača je spojený s uzemnením. Musí byť nainštalovaný následne zapojený prúdový chránič.
- **IT sieť:**  
Obidve fázy sú izolované. Toto je vhodné pre prevádzku so spotrebičom. Ak sa pripája viac spotrebičov, musí sa navrhnuť bezpečnostný koncept (napr. snímač izolácie).

Sieťová forma sa konfiguruje cez spínač DIP na zariadení.

Striedače DSP13xxT, DSP18xxT, DSP23xxT disponujú pripájacím káblom so zásuvkou a zástrčkou, ktoré sú pevnou súčasťou zariadenia. Striedač DSP35xxT je priamo pripojený ku pripájacím svorkám PG skrutkovými spojmami.

Synchronizovaním fáz sa striedač prispôsobí polohe fázy vstupného napätia striedavého prúdu. Tým sa zabráni napäťovým špičkám pri zmene z napätia batérie na sieťové napätie.

Striedač je vhodný na prevádzku citlivých spotrebičov, pretože výstupné napätie je čistá sínusoida.

Striedač je vybavený prioritným obvodom. Ak je k dispozícii externé 230 V~ napätie, toto bude využívané prednostne. Ak nie je k dispozícii žiadne externé 230 V~ napätie, využije sa na napájanie elektrickým prúdom pripojená batéria.

Striedač sa môže prepnúť do režimu úspory energie, aby sa pripojená batéria príliš rýchlo nevybila.

Diaľkovým ovládaním (**Príslušenstvo**) sa môže striedač zapínať a vypínať.

Okrem toho je striedač možné ovládať pomocou monitora energie (**Príslušenstvo**).

## 7.1 Ovládacie prvky

Pol. na obr. <b>2</b>	Označenie	Popis
1	Hlavný vypínač	<b>O</b> : Natrvalo vypne zariadenie <b>I</b> : Natrvalo zapne zariadenie <b>II</b> : Zariadenie je možné zapínať a vypínať diaľkovým ovládaním ( <b>Príslušenstvo</b> )
2	Stavová LED	Pozri kap. „Prevádzkové indikátory“ na strane 319
3	Poistka	Chráni striedač pred preťažením. Po aktivovaní možno poistku znova zatlačiť.
4	Spínač DIP	Vykoná nastavenia na striedači Pozri kap. „Nastavenie striedača“ na strane 320

## 7.2 Pripojenia



### POZNÁMKA

Na obrázku je verzia pre Európu.

Pol. na obr. 2	Popis
5	Vstup 230 V~ ( <b>DSP 35xxT</b> : PG skrutkový spoj)
6	Výstup 230 V~ ( <b>DSP 35xxT</b> : PG skrutkový spoj)
7	Uzemňovacia svorka (uzemnenie na karosérii vozidla)
8	Kladná svorka
9	Záporná svorka
10	Prípojky CI/LIN BUS (LINA)
11	Prípojka pre diaľkové ovládanie (LINB)
12	Prípojka pre diaľkový spínač
13	Ventilátor (zadná strana)

## 8 Montáž striedača



### POZNÁMKA

Pred montážou striedača namontujte všetky káble, pretože tak sú všetky prípojky voľne prístupné.

### 8.1 Potrebné náradie

Na **elektrické pripojenie** potrebujete príslušné pomôcky:

- Krimpovacie kliešte
- 3 rôznofarebné ohybné pripájacie káble. Potrebný prierez nájdete v tabuľke v kap. „Pripojenie striedača“ na strane 316.
- Káblové koncovky a dutinky

Na **upevnenie** striedača potrebujete nasledovné montážne prostriedky:

- strojové skrutky (M4) s podložkami a samopoistnými maticami alebo
- skrutky na plech, príp. do dreva

## 8.2 Pokyny na montáž

Pri výbere miesta montáže dodržiavajte nasledovné inštrukcie:

- Montáž striedača sa môže vykonať horizontálne alebo vertikálne.
- Striedač sa musí namontovať na mieste chránenom pred vlhkosťou.
- Striedač sa nesmie namontovať v blízkosti zápalných materiálov.
- Striedač sa nesmie namontovať v prašnom prostredí.
- Miesto montáže musí byť dobre vetrané. Pri inštaláciách v malých uzavretých priestoroch by mala byť zabezpečená ventilácia. Okolo striedača musí byť odstup minimálne 5 cm (obr. **3**).
- Vetracie otvory na prednej a zadnej strane striedača nesmú byť blokované.
- Pri teplotách okolia vyšších ako 40 °C (napr. v motorovom priestore alebo vykurovaných priestoroch, priame slnečné žiarenie) sa striedač môže vypnúť, hoci je výkon pripojených spotrebičov nižší ako menovité zaťaženie (derating).
- Montážna plocha musí byť rovná a dostatočne pevná.



### **POZOR!**

Pred vyvrtaním akýchkoľvek otvorov zabezpečte, aby sa nepoškodili žiadne elektrické káble alebo iné časti vozidla vrtaním, pílením alebo pilovaním.

## 8.3 Montáž striedača

- Namontujte striedač podľa obrázku (obr. **4**).

## 9 Pripojenie striedača

### 9.1 Všeobecné upozornenia



#### VÝSTRAHA!

- Pripojenie striedača smú vykonávať výlučne odborné firmy s príslušným osvedčením. Nasledujúce informácie sú určené pre odborníkov, ktorí sú oboznámení s príslušnými smernicami a bezpečnostnými opatreniami.
- Vo vozidlách, kde je kladný pól batérie spojený s karosériou, sa striedač **nesmie** používať.
- Ak do **kladného vedenia** batérie nevložíte žiadnu poistku, môžu sa vedenia preťažiť a môže dôjsť k požiaru.

- Striedač musí byť v prípade inštalácie do vozidiel alebo lodí spojený s rámom, príp. kostrou.
- Pri budovaní zásuvkového rozdeľovacieho obvodu (výstavba siete) dodržiavajte predpisy smernice VDE 0100.
- Používajte výlučne medené káble.
- Dĺžky káblov udržiavajte čo možno najkratšie (< 1 m).
- Na uzemnenie použite kábel s minimálnym prierezom 4 mm<sup>2</sup>.
- Dodržiavajte požadovaný priemer kábla a káblovú poistku (obr. **6** 1) vložte na kladné vedenie čo možno najbližšie k batérii (pozri tabuľku).

Zariadenie	Požadovaný prierez kábla	Káblová poistka
DSP1312T	35 mm <sup>2</sup>	200 A
DSP1324T	25 mm <sup>2</sup>	150 A
DSP1812T	50 mm <sup>2</sup>	250 A
DSP1824T	25 mm <sup>2</sup>	150 A
DSP2312T	70 mm <sup>2</sup>	300 A
DSP2324T	35 mm <sup>2</sup>	200 A
DSP3512T	2 x 50 mm <sup>2</sup>	2 x 250 A
DSP3524T	50 mm <sup>2</sup>	250 A

## 9.2 Pripojenie striedača



### VÝSTRAHA!

Pred pripojením výstupného vedenia striedavého napätia sa uistite, že striedač je vypnutý pomocou hlavného spínača.



### POZOR!

Dbajte na to, aby sa nezamenila polarita. Nesprávna polarita môže spôsobiť poškodenie striedača.



### POZNÁMKA

Utiahnite skrutky alebo matice uťahovacím momentom 15 Nm. Voľne spojenia môžu viesť k prehriatiam.

- Pripojte striedač podľa obrázku:
  - Pripojenie batérie: obr. **5** a obr. **6**
  - Pripojenie uzemňovacej svorky: obr. **7**
  - Pripojenie prívodného vedenia 230 V: obr. **8** (INPUT)
  - Pripojenie výstupného vedenia 230 V: obr. **8** (OUTPUT)

## 9.3 Pripojenie viacerých spotrebičov

Zariadenie je v stave pri dodaní vybavené galvanickým oddelením. Pre bezpečnú prevádzku viacerých spotrebičov je nevyhnutné, aby bol v obvode zásuvkového rozdeľovača zabudovaný ochranný spínač (prúdový chránič).

- Zapojte prúdový chránič do obvodu zásuvkového rozdeľovača.

## 9.4 Pripojenie diaľkového ovládania (príslušenstvo)



### POZOR!

Zasuňte prípojku diaľkového ovládania len do portu Remote. Nesprávnym pripojením sa môže zariadenie poškodiť.

- Pripojte diaľkové ovládanie podľa obrázku (obr. **9**).

## 9.5 Pripojenie externého spínača pre zapnutie a vypnutie



### POZNÁMKA

Použite vodiče s minimálnym priemerom 0,25 – 0,75 mm<sup>2</sup>.

Ako externý spínač môžete použiť:

- Externý spínač, napájanie napätím zo striedača: obr. **10** A
  - Riadiaca jednotka s relé alebo tranzistorovým zapojením (TR): obr. **10** B
  - Externý spínač s prívodom napätia z batérie (BAT) vozidla: obr. **10** C
  - Externý spínač s vlastným prívodom napätia (DC POWER), napr. zo zapaľovania: obr. **10** D
- Nastavte hlavný vypínač (obr. **2** 1) na „OFF“.
- Ubezpečte sa, že prípojka pre diaľkové ovládanie (obr. **2** 11) nie je obsadená.
- Nastavte hlavný vypínač (obr. **2** 1) na „REMO“.
- Pripojte externý spínač pomocou pripojovacieho kábla k svorke (obr. **2** 12).

## 9.6 Pripojenie relé

Môžete pripojiť relé, ktoré signalizuje, či je pripojený 230 V vstup. Môžete napr. realizovať zablokovanie pohybu, aby sa vozidlo neuviedlo do pohybu, keď je pripojený 230 V vstup.

- Relé pripojte podľa obrázku (obr. **11**):
- NO (Normally Open): Pracovný kontakt
  - COM (Common): Striedavý kontakt
  - NC (Normally Closed): Tichý kontakt

Špecifikácia relé:

Maximálne napätie	Zaťaženie	Spotreba prúdu	
		NO	NC
250 V~	Ohmov	0,5 A	0,5 A
12 V/24 V==	Ohmov	1 A	1 A



## 10 Používanie striedača

### 10.1 Zapnutie striedača

- ▶ Nastavte hlavný vypínač (obr. **2** 1) striedača nasledovne:
  - „0“: Pre trvalé vypnutie striedača
  - „I“: Pre trvalé zapnutie striedača
  - „II“: Pre zapínanie a vypínanie striedača diaľkovým ovládaním (**Príslušenstvo**)
- ▶ Striedač pri zapnutí vykoná autotest.
- ✓ Po úspešnom automatickom teste svieti modrá LED (obr. **2** 2).

### 10.2 Prevádzkové indikátory

Modrá LED (obr. **2** 2) zobrazuje prevádzkový stav striedača.

Indikácia	Vstupné napätie
Trvalo svieti	Normálna prevádzka
Dlhé blikanie, krátke prerušenie	Striedač prehriaty/preťaženie
Rýchle blikanie	Prepätie/podpätie
Krátke blikanie, dlhé prerušenie	Snímač izolácie vypol striedač
Vyp.	Iná chyba

Striedač sa vypne, keď:

- Napätie batérie klesne pod 10 V (prípojka 12 V $\overline{=}$ ) príp. 20 V (prípojka 24 V $\overline{=}$ ).
  - Napätie batérie stúpne nad 16,5 V (prípojka 12 V $\overline{=}$ ) príp. 33 V (prípojka 24 V $\overline{=}$ ).
  - Striedač sa preťaží.
  - Striedač sa prehrieva.
- ▶ V takomto prípade vypnite striedač hlavným vypínačom (obr. **2** 1).
  - ▶ Skontrolujte, či má striedač dostatočné odvetranie a či sú vetracie otvory a štrbiny voľné.
  - ▶ Počkajte približne 5 – 10 minút a striedač bez spotrebiča znova zapnite.

## 10.3 Nastavenie režimu úspory energie



### POZNÁMKA

Režim úspory energie je možné zapnúť alebo vypnúť len diaľkovým ovládaním.

## 10.4 Nastavenie striedača

Zariadenie môžete prispôbiť pomocou spínača DIP (obr. **2** 4).

### Nastavenie nastavení

Spínačom DIP S1 môžete stanoviť, či nastavenie parametrov bude vykonané cez prípojku ovládacieho panela kompatibilného s CI-BUS alebo cez spínač DIP.

Spínač DIP	
Parametre	S1
Prípojka pre diaľkové ovládanie	Vyp.
Spínač DIP	Zapnutie

### Nastavenie sieťového napätia

Spínačom DIP S2 môžete nastaviť sieťové napätie.

Spínač DIP	
Sieťové napätie	S2
230 V/50 Hz	Vyp.
240 V/60 Hz	Zapnutie

## Nastavenie režimu úspory energie

Spínačmi DIP S3 a S4 môžete nastaviť režim úspory energie. Tým sa batéria, na ktorú je striedač pripojený, tak rýchlo nevybíja.

Striedač potom pracuje v režime úspory energie, pokým je k dispozícii výkon potrebný výkon pri nastavenej hodnote výkonu. Keď je potrebný výkon nižší ako nastavená hodnota výkonu, striedač pracuje v normálnom režime.

Hodnoty nastavenia vášho striedača nájdete v nasledujúcej tabuľke:

Režim úspory energie	Spínač DIP	
	S3	S4
Režim úspory energie aktivovaný, keď je zaťaženie < 45 W Režim normálny aktivovaný, keď je zaťaženie > 45 W	Vyp.	Vyp.
Režim úspory energie aktivovaný, keď je zaťaženie < 1 W Striedač sa vypne automaticky po 20 minútach prevádzky v režime úspory energie Režim normálny aktivovaný, keď je zaťaženie > 1 W	Zapnutie	Vyp.
Režim úspory energie aktivovaný, keď je zaťaženie < 1 W Režim normálny aktivovaný, keď je zaťaženie > 1 W	Vyp.	Zapnutie
Režim úspory energie aktivovaný, keď je zaťaženie $\geq$ 45 W Striedač sa vypne automaticky po 20 minútach prevádzky v režime úspory energie Režim normálny aktivovaný, keď je zaťaženie > 45 W	Zapnutie	Zapnutie

## Nastavenie sieťovej formy

Pomocou spínača DIP S5 môžete nastaviť, v ktorej sieťovej forme bude striedač prevádzkovaný.

Parametre	Spínač DIP S5
TN sieť Externý, následne zapojený <b>prúdový chránič je potrebný.</b>	Vyp.
IT sieť Prevádzka len so spotrebičom alebo inštaláciou externého snímača izolácie. <b>Dodržiňte národné normy!</b>	Zapnutie

## 11 Ošetrovanie a čistenie striedača



### POZOR!

Na čistenie nepoužívajte ostré alebo tvrdé predmety, pretože by mohli poškodiť výrobok.

- Výrobok príležitostne vyčistite mierne navlhčenou handričkou.

## 12 Odstraňovanie porúch



### VÝSTRAHA!

Zariadenie neotvárajte. Vystavujete sa nebezpečenstvu zásahu elektrickým prúdom!



### POZNÁMKA

V prípade konkrétnych otázok týkajúcich sa **údajov striedača**, sa obráťte na výrobcu (adresy pozri na zadnej strane návodu).

LED (obr. **2**) 2) signalizuje chybu:

LED indikácia	Príčina	Odstránenie
Rýchle blikanie	Príliš vysoké vstupné napätie	Skontrolujte vstupné napätie a znížte ho.
	Príliš nízke vstupné napätie	Batérie musíte dobiť. Skontrolujte vedenia a spojenia.
Svieti 2 s, krátke prerušenie	Tepelné preťaženie	Vypnite striedač a spotrebič. Počkajte približne 5 – 10 minút a striedač znovu zapnite bez spotrebiča. Znížte zaťaženie a postarajte sa o lepšie odvetranie striedača. Potom spotrebič znova zapnite.
	Príliš vysoké zaťaženie	Vypnite striedač a odstráňte spotrebič. Potom striedač znova zapnite bez spotrebiča. Ak sa teraz už nebude indikovať príliš vysoké zaťaženie, znamená to, že skrat je v spotrebiči, alebo bolo celkové zaťaženie vyššie ako je špecifikovaná hodnota výkonu v údajovom liste. Skontrolujte vedenia a spojenia. Znovu zatlačte poistku zariadenia.
Vyp.	Iná chyba	Obráťte sa na zákaznícky servis.

## 13 Záruka

Platí zákonom stanovená záručná lehota. Ak by bol výrobok chybný, obráťte sa na pobočku vo vašej krajine (adresy pozri na zadnej strane návodu) alebo na vášho špecializovaného predajcu.

Ak žiadate o vybavenie opravy alebo nárokov vyplývajúcich zo záruky, musíte priložiť nasledovné podklady:

- kópiu faktúry s dátumom kúpy,
- dôvod reklamácie alebo opis chyby.

## 14 Likvidácia



- Obalový materiál podľa možnosti odovzdajte do príslušného odpadu na recykláciu.



Keď výrobok definitívne vyradíte z prevádzky, informujte sa v najbližšom recyklačnom stredisku alebo u vášho špecializovaného predajcu o príslušných predpisoch týkajúcich sa likvidácie.

## 15 Technické údaje

Pre všetky striedače platia nasledovné technické údaje:

Výstupné napätie:	230/240 V~ ± 3 %, čistá sínusoida (činiteľ harmonického skreslenia <3 %)
Výstupná frekvencia:	50/60 Hz ± 0,3 Hz
Odvádzanie tepla:	ventilátor riadený podľa teploty a zaťaženia
Teplota okolia pri prevádzke:	-20 °C až +60 °C
Teplota okolia pri skladovaní:	-30 °C až +70 °C
Regulácia výkonu:	≥40 °C
Premosťovacie relé:	16 A/250 V~
Prepnutie premostenia so synchronizáciou napätia:	<20 ms
Vlhkosť vzduchu:	0 – 95 %, nekondenzujúca
Skúška/certifikát:	 

	<b>DSP1312T</b>	<b>DSP1812T</b>	<b>DSP1324T</b>	<b>DSP1824T</b>
Č. výrobu:	9600002551	9600002553	9600002552	9600002554
Vstupné menovité napätie:	12 V $\equiv$		24 V $\equiv$	
Rozsah vstupného napätia:	10 – 16,5 V $\equiv$		20 – 33 V $\equiv$	
Menovitý výkon:	1200 W	1800 W	1200 W	1800 W
Maximálny výkon počas 10 minút:	1300 W	1800 W	1300 W	1800 W
Maximálny výkon počas 3 minút:	1380 W	2070 W	1380 W	2070 W
Nárazový prúd počas 2 s:	2400 W	3600 W	2400 W	3600 W
Spotreba prúdu naprázdno:	2,5 A	2,5 A	1,3 A	1,3 A
Pohotovostný odber prúdu pri menovitom napätí:	<0,2 A	<0,2 A	<0,1 A	<0,1 A
Stupeň účinnosti:	>89 %		>90 %	
Prispôsobenie výkonu pri vstupnom napätí v rozsahu 10,0 V až 10,5 V:	1020 W	1530 W	1020 W	1530 W
Prispôsobenie napätia pri teplotách nad 40 °C:	1,75 % menovitého napätia na stupeň nad 40 °C			
Rozmery Š x D x V:	obr. <b>15</b>			
Hmotnosť:	4,8 kg	6,1 kg	4,8 kg	6,1 kg



	<b>DSP2312T</b>	<b>DSP3512T</b>	<b>DSP2324T</b>	<b>DSP3524T</b>
Č. výrobku:	9600002555	9600002557	9600002556	9600002558
Vstupné menovité napätie:	12 V $\overline{=}$		24 V $\overline{=}$	
Rozsah vstupného napätia:	10 – 16,5 V $\overline{=}$		20 – 33 V $\overline{=}$	
Menovitý výkon:	2000 W	3000 W	2000 W	3000 W
Maximálny výkon počas 10 minút ( $U_{IN} > 12,5 V$ ):	2300 W	3500 W	2300 W	3500 W
Maximálny výkon počas 3 minút ( $U_{IN} > 10,5 V$ ):	2300 W	3500 W	2300 W	3500 W
Nárazový prúd počas 2 s:	4000 W	6000 W	4000 W	6000 W
Spotreba prúdu naprázdno:	2,8 A	3,6 A	1,4 A	1,8 A
Pohotovostný odber prúdu pri menovitom napätí:	<0,2 A	<0,2 A	<0,15 A	<0,15 A
Stupeň účinnosti:	>89 %		>90 %	
Prispôsobenie výkonu pri vstupnom napätí v rozsahu 10,0 V až 10,5 V:	1700 W	2600 W	1700 W	2600 W
Prispôsobenie napätia pri teplotách nad 40 °C:	1,75 % menovitého napätia na stupeň nad 40 °C			
Rozmery Š x D x V:	obr. <b>15</b>			
Hmotnosť:	6,6 kg	10,9 kg	6,6 kg	10,9 kg

**Ochranné zariadenia**

	12 V	24 V
Vstup:	Podpätie, ochrana proti prepólovaniu (interná poistka)	
Výstup AC:	Prepätie, skrat, preťaženie	
Vstup AC:	Ochranný spínač 16 A	
Teplota:	Vypnutie	
Ochrana proti skratu:	áno, lpk	

**Prepätiová ochrana**

Prístroj	Prepätie	
	Vypnutie	Opätovné spustenie
DSP1312T, DSP1812T, DSP2312T, DSP3512T	16,5 V	15,5 V
DSP1324T, DSP1824T, DSP2324T, DSP3524T	33 V	31 V

**Ochrana v prípade podpätia**

Zariadenie	Podpätie	
	Vypnutie	Reštartovanie
DSP1312T, DSP1812T, DSP2312T, DSP3512T	10 V	12 V
DSP1324T, DSP1824T, DSP2324T, DSP3524T	20 V	24 V

Aktuálne EÚ vyhlásenie o zhode pre vaše zariadenie nájdete na stránke príslušného výrobcu na adrese [dometic.com](http://dometic.com) alebo vám ho poskytnie priamo výrobca (pozri zadnú stranu).

**Před zahájením instalace a uvedením do provozu si pečlivě přečtěte tento návod a uschovejte jej. V případě dalšího prodeje výrobku předejte návod novému uživateli.**

## Obsah

1	Vysvětlení symbolů . . . . .	330
2	Všeobecné bezpečnostní pokyny . . . . .	330
3	Obsah dodávky . . . . .	333
4	Příslušenství . . . . .	334
5	Cílová skupina tohoto návodu . . . . .	334
6	Použití v souladu se stanoveným účelem . . . . .	334
7	Technický popis . . . . .	334
8	Montáž měniče . . . . .	337
9	Připojení měniče . . . . .	339
10	Používání měniče . . . . .	342
11	Čištění a péče o měnič . . . . .	345
12	Odstraňování závad . . . . .	346
13	Záruka . . . . .	347
14	Likvidace . . . . .	347
15	Technické údaje . . . . .	347

# 1 Vysvětlení symbolů

**NEBEZPEČÍ!**

**Bezpečnostní pokyny:** Následkem nedodržení pokynů jsou smrtelná nebo vážná zranění.

**VÝSTRAHA!**

**Bezpečnostní pokyny:** Následkem nedodržení pokynů mohou být smrtelná nebo vážná zranění.

**POZOR!**

Nedodržení pokynů může mít za následek hmotné škody a narušení funkce výrobku.

**POZNÁMKA**

Doplňující informace týkající se obsluhy výrobku.

## 2 Všeobecné bezpečnostní pokyny

### 2.1 Obecná bezpečnost

V následujících případech nepřebírá výrobce žádné záruky za škody:

- Chybná montáž nebo chybné připojení
- Poškození výrobku působením mechanických vlivů a přepětí
- Změna výrobku bez výslovného souhlasu výrobce
- Použití k jiným účelům, než jsou popsány v tomto návodu

Při použití elektrických přístrojů dodržujte následující zásadní bezpečnostní opatření k ochraně před následujícími nebezpečími:

- zasažení elektrickým proudem
- nebezpečí požáru
- úrazy

## 2.2 Základní bezpečnost



### NEBEZPEČÍ!

- V případě požáru použijte hasicí přístroj, který je vhodný k hašení elektrických přístrojů.



### VÝSTRAHA!

- Používejte přístroj pouze v souladu s jeho určením.
- Dávejte pozor, aby **nikdy** nedošlo ke vzájemnému kontaktu červené a černé svorky.
- Přístroj odpojte od sítě:
  - Před každým čištěním a údržbou
- V případě demontáže přístroje:
  - Odpojte veškerá připojení.
  - Zajistěte, aby byly všechny vstupy a výstupy odpojeny od napětí.
- V případě, že jsou přístroj nebo přívodní kabel poškozeny, nesmíte výrobek dále používat.
- Pokud je přívodní kabel přístroje poškozen, musíte jej nechat vyměnit výrobcem, jeho servisním centrem nebo jinou kvalifikovanou osobou tak, aby nemohlo dojít k jakémukoliv ohrožení.
- Opravy tohoto výrobku směřjí provádět pouze odborníci. Nesprávně provedené opravy mohou být zdrojem značných rizik.
- Tento přístroj mohou používat děti od 8 let a osoby se sníženými fyzickými, sensorickými nebo mentálními schopnostmi, nebo osoby s nedostatkem zkušeností a/nebo znalostí, pokud budou pod dozorem nebo pokud byly poučeny o bezpečném použití přístroje a porozuměly nebezpečím, která z použití výrobku vyplývají.
- **Elektrické přístroje nejsou hračky pro děti!**  
Přístroj používejte a skladujte mimo dosah dětí.
- Děti musejí být pod dohledem tak, aby si s výrobkem nehrály.



### POZOR!

- Před uvedením do provozu porovnejte údaj o napětí na typovém štítku se stávajícím zdrojem napájení.
- Zajistěte, aby jiné předměty **nezpůsobily** zkrat na kontaktech přístroje.
- Nikdy nevytahujte zástrčku ze zásuvky tahem za přívodní kabel.
- Přístroj skladujte na suchém a chladném místě.

## 2.3 Bezpečnost při montáži přístroje



### NEBEZPEČÍ!

- Nemontujte přístroj v oblastech, ve kterých hrozí nebezpečí exploze plynu nebo prachu.



### UPOZORNĚNÍ!

- Pamatujte na bezpečnou stabilitu! Přístroj musí být umístěn a upevněn tak, aby se nemohl převážít nebo spadnout.



### POZOR!

- Nevystavujte přístroj zdroji tepla (sluneční záření, topení apod.). Zabráníte tak dalšímu zahřívání přístroje.
- Umístěte přístroj na suchém místě chráněním před stříkající vodou.

## 2.4 Bezpečnost při elektrickém připojování přístroje



### NEBEZPEČÍ! Ohrožení života elektrickým proudem!

- Pokud pracujete na elektrických zařízeních zajistěte, aby byla na blízku další osoba, která vám může v nouzovém případě pomoci.



### VÝSTRAHA!

- Pamatujte na dostatečný průřez vodiče.
- Instalujte kabely tak, aby nemohly být poškozeny dveřmi nebo kryty motorového prostoru. Přivěšené kabely mohou mít za následek životu nebezpečné úrazy.



### UPOZORNĚNÍ!

- Instalujte vodiče tak, aby nehrozilo nebezpečí zakopnutí a nemohlo dojít k poškození kabelů.



### POZOR!

- Používejte trubky nebo průchodky kabelů, pokud musíte vést kabely plechovými stěnami nebo jinými stěnami s ostrými hranami.
- **Nepokládejte** síťové rozvody 230 V a rozvody stejnosměrného proudu 12 V společně ve stejné průchodce (trubce).
- **Nepokládejte** kabely volně nebo ostře zalomené.
- Vodiče dobře upevněte.
- Netahejte za rozvody.

## 2.5 Bezpečnost za provozu přístroje



### NEBEZPEČÍ! Ohrožení života elektrickým proudem!

- Nikdy se nedotýkejte odizolovaných vodičů.



### VÝSTRAHA!

- Používejte přístroj výhradně v uzavřených dobře větraných prostorech.



### UPOZORNĚNÍ!

- **Nepoužívejte** přístroj za těchto podmínek:
  - Vlhké nebo mokré prostředí, prostředí s obsahem soli
  - Blízkost agresivních výparů
  - Blízkost hořlavých materiálů
  - Oblasti ohrožené explozí
- Před uvedením do provozu zkontrolujte, zda jsou přírodní kabel a zástrčka suché.
- Při práci na přístroji vždy přerušte napájení elektrickým proudem.
- Pamatujte, že i po vypnutí ochranného zařízení (pojistky) mohou být součástí přístroje pod napětím.
- Neodpoujte žádné kabely, dokud je přístroj ještě v provozu.



### POZOR!

- Dbejte, aby nedošlo k zakrytí vstupů a výstupů vzduchu přístroje.
- Pamatujte na dostatečný přívod vzduchu.

## 3 Obsah dodávky

Poz. na obr. <b>1</b>	Název
1	Sinusový měnič
2	Přírodní kabel se spojkou s ochranným kontaktem (Schuko) (pro výstup 230 V~)
3	Přírodní kabel se zástrčkou s ochranným kontaktem (Schuko) (pro napájení 230 V~)
–	Návod k obsluze

## 4 Příslušenství

Název	Č. výrobku
Dálkový ovladač	9600002564
Měřič spotřeby el. energie	9600002565

## 5 Cílová skupina tohoto návodu

Část kap. „Připojení měniče“ na stranì 339 je určena výhradně odborníkům, kteří jsou seznámeni s odpovídajícími směrnici VDE.

Všechny ostatní kapitoly jsou určeny uživateli přístroje.

## 6 Použití v souladu se stanoveným účelem



### VÝSTRAHA!

Měnič nesmíte používat ve vozidlech, ve kterých je kladný pól baterie spojen se šasi.

Měniče slouží k převodu stejnosměrného napětí na střídavé napětí 230 – 240 V o frekvenci 50 Hz nebo 60 Hz:

- **12 V $\overline{=}$** : DSP1312T, DSP1812T, DSP2312T, DSP3512T
- **24 V $\overline{=}$** : DSP1324T, DSP1824T, DSP2324T, DSP3524T

## 7 Technický popis

Měniče můžete používat všude tam, kde je dostupné připojení DC.

- **12 V $\overline{=}$** : DSP1312T, DSP1812T, DSP2312T, DSP3512T
- **24 V $\overline{=}$** : DSP1324T, DSP1824T, DSP2324T, DSP3524T

Díky nižší hmotnosti a kompaktní konstrukci můžete tento přístroj snadno instalovat v obytných automobilech, užitkových vozidlech nebo motorových lodích a jachtách.

Výstupní napětí odpovídá napětí v domácnosti ze zásuvky (čisté sinusové napětí, činitel harmonického zkreslení <3 %).



Dodržujte hodnoty trvalého výstupního výkonu a špičkového výstupního výkonu tak, jak jsou uvedeny v části kap. „Technické údaje“ na straně 347. Nesmíte připojovat přístroje s vyšším příkonem.



### POZNÁMKA

Pamatujte při připojování přístrojů s elektrickým pohonem (např. vrtáčky, chladničky apod.), že tyto přístroje při rozběhu často vyžadují vyšší výkon, než je uvedeno na typovém štítku.

Měnič je vybaven různými ochrannými mechanismy:

- **Přepětová ochrana:** Měnič vypne, pokud napětí překročí hodnotu k vypnutí. Aktivuje se opět, jakmile napětí klesne na hodnotu pro spuštění.
- **Podpětová ochrana:** Měnič vypne, pokud napětí poklesne pod hodnotu k vypnutí. Aktivuje se opět, jakmile se napětí zvýší na hodnotu pro spuštění.
- **Ochrana proti přehřívání:** Měnič se vypne, jakmile teplota v přístroji nebo teplota na chladicím tělese překročí hodnotu k vypnutí. Aktivuje se opět, jakmile se napětí zvýší na hodnotu pro spuštění.
- **Ochrana proti přetížení a zkratu:** Kontrolka LED hlásí provozní poruchu, pokud byla připojena příliš velká zátěž nebo došlo ke zkratu. Pojistka přístroje se musí po vyskočení z důvodu nadproudu opět ručně zamáčknout.



### POZNÁMKA

Jednotlivé spínací hodnoty naleznete v části kap. „Technické údaje“ na straně 347.

Měnič lze provozovat v následujících tvarech sítě:

- **Síť TN:**  
Nulový vodič měniče je spojen s kostrou. Je nutné instalovat navazující proudový chránič.
- **Síť IT:**  
Obě fáze jsou izolované. To je vhodné pro provoz spotřebiče. Je-li připojeno více než jeden spotřebič, musí být navržena koncepce ochrany (např. snímač izolace).

Tvar sítě se konfiguruje pomocí přepínače DIP na přístroji.

Měniče DSP13xxT, DSP18xxT, DSP23xxT mají přívodní kabel se zásuvkou a zástrčkou, které jsou trvale namontovány na přístroji. Měnič DSP35xxT je připojen přímo k připojovacím svorkám přes kabelové průchodky s PG závitem.

Díky fázové synchronizaci se měnič přizpůsobí fázové poloze vstupního napětí AC. Tím se zabrání napěťovým špičkám při přepínání z napětí baterie na síťové napětí.

Měnič je vhodný pro provoz citlivých spotřebičů, protože výstupní napětí je čistá sinusová vlna.

Měnič je vybaven prioritním obvodem. Pokud je připojeno externí napětí 230 V~, pak je prioritní. Pokud není připojeno žádné externí napětí 230 V~, pak je k napájení používána připojená baterie.

Měnič lze přepnout do režimu úspory energie, aby se připojená baterie příliš rychle nevybila.

Pomocí dálkového ovladače (**Příslušenství**) můžete měnič zapnout a vypnout.

Kromě toho lze měnič ovládat pomocí měřiče spotřeby el. energie (**Příslušenství**).

## 7.1 Ovládací prvky

Poz. na obr. <b>2</b>	Název	Popis
1	Hlavní vypínač	<b>O</b> : Přístroj vypne trvale <b>I</b> : Přístroj zapne trvale <b>II</b> : Přístroj lze zapnout a vypnout pomocí dálkového ovladače ( <b>Příslušenství</b> ).
2	Stavová LED	Viz kap. „Provozní kontrolky“ na strani 342
3	Pojistka	Chrání měnič před přetížením. Pojistku lze opět zamáčknout poté, co vyskočila.
4	Přepínač DIP	Provede nastavení na měniči Viz kap. „Zapnutí měniče“ na strani 343

## 7.2 Přípojky



### POZNÁMKA

Vyobrazena je verze pro kontinentální Evropu.

Poz. na obr. 2	Popis
5	Vstup 230 V~ ( <b>DSP 35xxT</b> : kabelová průchodka PG)
6	Výstup 230 V~ ( <b>DSP 35xxT</b> : kabelová průchodka PG)
7	Ukostřovací svorka (uzemnění na karoserii auta)
8	Kladná svorka
9	Záporná svorka
10	Připojení CI/LIN (LINA)
11	Přípojka dálkového ovladače (LINB)
12	Přípojka pro dálkový spínač
13	Ventilátor (zadní strana)

## 8 Montáž měniče



### POZNÁMKA

Před montáží měniče byste měli připojit všechny kabely, protože všechny přípojky jsou tak volně přístupné.

### 8.1 Potřebné nářadí

K **elektrickému připojení** budete potřebovat následující pomůcky:

- Lisovací kleště
- 3 různobarevné pružné přívodní kabely. Potřebný průřez najdete v tabulce v kap. „Připojení měniče“ na strani 339.
- Kabelová oka a kabelové koncovky

Pro **upevnění** měniče budete potřebovat následující montážní prostředky:

- Strojní šrouby (M4) s podložkami a samopojistnými maticemi nebo
- šrouby do plechu či vruty.

## 8.2 Montážní pokyny

Při výběru místa instalace dodržujte následující pokyny:

- Měnič můžete namontovat horizontálně i vertikálně.
- Měnič musí být instalován na místě chráněném před vlhkostí.
- Měnič nesmíte instalovat v prostředí s hořlavými materiály.
- Měnič nesmíte instalovat v prašném prostředí.
- Místo instalace musí být dobře odvětrávané. V případě instalace v malých uzavřených prostorech musí být zajištěn přívod a odvod vzduchu. Minimální volný prostor kolem měniče musí činit 5 cm (obr. 3).
- Ventilační otvory na přední a zadní straně měniče musí zůstat volné.
- Při okolní teplotě vyšší než 40 °C (např. v motorovém nebo topném prostoru, přímé sluneční záření) se měnič může vypnout, i když je výkon připojených spotřebičů nižší než jmenovité zatížení (derating).
- Montážní plocha musí být rovná a dostatečně pevná.



### POZOR!

Dříve než zhotovíte jakékoliv otvory, zkontrolujte, zda nebudou vrtáním, řezáním a pilováním poškozeny elektrické kabely nebo jiné součásti vozidla.

## 8.3 Montáž měniče

- Měnič namontujte podle vyobrazení (obr. 4).

## 9 Připojení měniče

### 9.1 Všeobecné pokyny



#### VÝSTRAHA!

- Připojení měniče smí provést výhradně specializovaná firma s potřebnými znalostmi. Následující informace jsou určeny odborníkům, kteří jsou seznámeni s příslušnými platnými směrnici a bezpečnostními předpisy.
- V případě vozidel, u kterých je kladný pól baterie spojen se šasi, **nesmíte** měnič používat.
- Pokud nepoužijete žádné jištění v **kladném vodiči** baterie, může dojít k přetížení vodičů a ke vzniku požáru.

- Měnič musíte při instalaci do vozidel nebo lodí spojit se šasi nebo s kostrou.
- Při instalaci zásuvkového obvodu (instalaci sítě) dodržujte předpisy VDE 0100.
- Používejte výhradně měděné kabely.
- Volte nejkratší možné délky kabelů (< 1 m).
- K uzemnění použijte kabel s minimálním průřezem 4 mm<sup>2</sup>.
- Dodržujte potřebný průřez kabelu a instalujte jištění kabelu (obr. **6** 1) co nejbliže k baterii v kladném vodiči (viz tabulka).

Přístroj	Potřebný průřez kabelu	Jištění kabelu
DSP1312T	35 mm <sup>2</sup>	200 A
DSP1324T	25 mm <sup>2</sup>	150 A
DSP1812T	50 mm <sup>2</sup>	250 A
DSP1824T	25 mm <sup>2</sup>	150 A
DSP2312T	70 mm <sup>2</sup>	300 A
DSP2324T	35 mm <sup>2</sup>	200 A
DSP3512T	2 x 50 mm <sup>2</sup>	2 x 250 A
DSP3524T	50 mm <sup>2</sup>	250 A

## 9.2 Připojení měniče



### VÝSTRAHA!

Před připojením výstupního vodiče střídavého napětí zkontrolujte, zda je měnič vypnut hlavním vypínačem.



### POZOR!

Dávejte pozor, abyste nezaměnili polaritu. Nesprávná polarita může poškodit měnič.



### POZNÁMKA

Utáhněte šrouby a matice maximálním utahovacím momentem 15 Nm. Volné spoje mohou způsobovat přehřívání.

- Připojte měnič podle vyobrazení:
  - Připojení baterie: obr. **5** a obr. **6**
  - Připojení ukostřovací svorky: obr. **7**
  - Připojení napájecího napětí 230 V: obr. **8** (INPUT)
  - Připojení výstupního vodiče 230 V: obr. **8** (OUTPUT)

## 9.3 Připojení více spotřebičů

Přístroj je po dodání vybaven galvanickým odpojovačem. K bezpečnému provozu několika spotřebičů je nezbytně nutné, aby byl v zásuvkovém obvodu instalován ochranný spínač (proudový chránič).

- Instalujte proudový chránič do zásuvkového obvodu.

## 9.4 Připojení dálkového ovladače (příslušenství)



### POZOR!

Zapojte přípojku dálkového ovladače pouze do portu Remote. Nesprávné zapojení může poškodit přístroj.

- Dálkový ovladač připojte podle vyobrazení (obr. **9**).

## 9.5 Připojení externího vypínače k zapnutí a vypnutí přístroje



### POZNÁMKA

Použijte kabely o průřezu 0,25–0,75 mm<sup>2</sup>.

Jako externí vypínač můžete použít následující:

- externí vypínač, napájecí napětí z měniče: obr. **10** A
- řídicí jednotka s reléovým nebo tranzistorovým zapojením (TR): obr. **10** B
- externí vypínač s napájením z baterie (BAT) automobilu: obr. **10** C
- externí vypínač s vlastním napájením (DC POWER), např. ze zapalování: obr. **10** D

- Přepněte hlavní vypínač (obr. **2** 1) do polohy „OFF“.
- Ujistěte se, že přípojka pro dálkový ovladač (obr. **2** 11) není obsazena.
- Přepněte hlavní vypínač (obr. **2** 1) do polohy „REMO.“.
- Připojte externí vypínač k zapnutí a vypnutí přístroje přívodním kabelem ke svorce (obr. **2** 12).

## 9.6 Připojení relé

Můžete připojit relé, které indikuje, zda je připojen vstup 230 V. Tak můžete realizovat např. imobilizér, aby se vozidlo nemohlo rozjet, když je připojen vstup 230 V.

- Relé připojte podle vyobrazení (obr. **11**):
  - NO (Normally Open): Pracovní kontakt
  - COM (Common): Přepínací kontakt
  - NC (Normally Closed): Klidový kontakt

Specifikace relé:

Maximální napětí	Zatížení	Příkon	
		NO	NC
250 V~	Ohmické	0,5 A	0,5 A
12 V/24 V=	Ohmické	1 A	1 A

## 10 Používání měniče

### 10.1 Zapnutí měniče

- ▶ Nastavte hlavní vypínač (obr. **2** 1) měniče takto:
  - „**O**“: k trvalému vypnutí měniče
  - „**I**“: k trvalému zapnutí měniče
  - „**II**“: pro možnost zapnutí a vypnutí měniče dálkovým ovladačem (**příslušenství**)
- ▶ Měnič provede při zapnutí autodiagnostický test.
- ✓ Po úspěšném autodiagnostickém testu svítí kontrolka LED modře (obr. **2** 2).

### 10.2 Provozní kontroly

Modrá kontrolka LED (obr. **2** 2) informuje o provozním stavu měniče.

Indikace	Vstupní napětí
Svítí	Běžný provoz
Dlouhé blikání, krátké přerušení	Měnič přehřátý/přetížení
Rychlé blikání	Přepětí/podpětí
Krátké blikání, dlouhé přerušení	Snímač izolace vypnul měnič
Vypnuto	Jiná chyba

Měnič se vypíná za těchto podmínek:

- Napětí baterie klesne pod 10 V (přípojka 12 V $\Rightarrow$ ) nebo 20 V (přípojka 24 V $\Rightarrow$ ).
  - Napětí baterie stoupne nad 16,5 V (přípojka 12 V $\Rightarrow$ ) nebo 33 V (přípojka 24 V $\Rightarrow$ ).
  - Měnič se přetěžuje.
  - Měnič se přehřívá.
- ▶ V takovém případě vypněte měnič hlavním vypínačem (obr. **2** 1).
  - ▶ Zkontrolujte dostatečné větrání měniče a přesvědčte se, že jsou ventilační otvory a větrací drážky volné.
  - ▶ Vyčkejte cca 5 – 10 minut a zapněte měnič znovu bez spotřebiče.



## 10.3 Nastavení režimu úspory energie



### POZNÁMKA

Režim úspory energie lze zapnout a vypnout pouze pomocí dálkového ovladače.

## 10.4 Zapnutí měniče

Přístroj můžete přizpůsobit pomocí přepínače DIP (obr. **2** 4).

### Deklarování nastavení

Přepínačem DIP S1 můžete určit, zda má být nastavení parametrů provedeno prostřednictvím přípojky ovládacího panelu vhodného pro CI BUS nebo prostřednictvím přepínačů DIP.

Parametry	Přepínač DIP
	S1
Přípojka dálkového ovladače	Vypnuto
Přepínač DIP	Zapnuto

### Nastavení síťového napětí

Síťové napětí můžete nastavit pomocí přepínače DIP S2.

Síťové napětí	Přepínač DIP
	S2
230 V/50 Hz	Vypnuto
240 V/60 Hz	Zapnuto

## Nastavení režimu úspory energie

Režim úspory energie můžete nastavit pomocí přepínačů DIP S3 a S4. Tento režim zabraňuje příliš rychlému vybití baterie, ke které je měnič připojen.

V takovémto případě pracuje měnič v režimu úspory energie tak dlouho, dokud požadovaný výkon leží pod nastavenou hodnotou výkonu. Je-li potřebný výkon nad nastavenou hodnotou výkonu, začne měnič pracovat v běžném režimu.

Hodnoty, které je třeba na Vašem měniči nastavit, najdete v následující tabulce:

Režim úspory energie	Přepínač DIP	
	S3	S4
Režim úspory energie aktivován, pokud zatížení < 45 W Režim normální aktivován, pokud zatížení > 45 W	Vypnuto	Vypnuto
Režim úspory energie aktivován, pokud zatížení < 1 W Po 20 minutách provozu se měnič automaticky přepne do režimu úspory energie Režim normální aktivován, pokud zatížení > 1 W	Zapnuto	Vypnuto
Režim úspory energie aktivován, pokud zatížení < 1 W Režim normální aktivován, pokud zatížení > 1 W	Vypnuto	Zapnuto
Režim úspory energie aktivován, pokud zatížení $\geq$ 45 W Po 20 minutách provozu se měnič automaticky přepne do režimu úspory energie Režim normální aktivován, pokud zatížení > 45 W	Zapnuto	Zapnuto

## Nastavení tvaru sítě

Přepínačem DIP S5 lze stanovit, v jakém tvaru sítě má být měnič provozován.

Parametry	Přepínač DIP S5
Síť TN Externí, zařazený <b>proudový chránič je nutností.</b>	Vypnuto
Síť IT Provoz pouze s jedním spotřebičem nebo instalace externího snímače izolace.	Zapnuto

**Dodržujte národní normy!**

## 11 Čištění a péče o měnič



### POZOR!

Nepoužívejte k čištění žádné tvrdé nebo ostré předměty, může dojít k poškození výrobku.

- Příležitostně vyčistěte výrobek zvlhčenou utěrkou.

## 12 Odstraňování závad



### VÝSTRAHA!

Přístroj neotevírejte. V opačném případě se vystavujete nebezpečí zásahu elektrickým proudem!



### POZNÁMKA

Podrobnější informace o **technických údajích měniče** získáte od výrobce (adresy viz zadní strana návodu).

Kontrolka LED (obr. **2**) 2) indikuje chybu:

Indikace LED	Příčina	Odstranění
Rychlé blikání	Příliš vysoké vstupní napětí	Zkontrolujte vstupní napětí a snižte jej.
	Příliš nízké vstupní napětí	Musíte dobít baterii. Zkontrolujte vodiče a spoje.
Svítlí 2 s, krátké přerušení	Tepelné přetížení	Vypněte měnič a spotřebič. Vyčkejte cca 5 – 10 minut a zapněte opět měnič bez spotřebiče. Snižte zatížení a zajistěte lepší odvětrávání měniče. Potom opět zapněte spotřebič.
	Příliš vysoké zatížení	Vypněte měnič a odpojte spotřebič. Zapněte měnič bez spotřebiče. Pokud již není indikováno příliš vysoké zatížení, došlo ve spotřebiči ke zkratu nebo bylo celkové zatížení vyšší než výkon specifikovaný v technickém listu. Zkontrolujte vodiče a spoje. Opět stlačte pojistku přístroje.
Vypnuto	Jiná chyba	Kontaktujte zákaznický servis.

## 13 Záruka

Na výrobek je poskytována záruka v souladu s platnými zákony. Zjistíte-li, že je výrobek vadný, zašlete jej do pobočky výrobce ve vaší zemi (adresy viz zadní strana tohoto návodu) nebo do specializovanému prodejci.

K vyřízení opravy nebo záruky nezapomeňte odeslat následující dokumenty:

- Kopii účtenky s datem zakoupení,
- Uvedení důvodu reklamace nebo popisu vady.

## 14 Likvidace


► Obalový materiál likvidujte v odpadu určeném k recyklaci.



Jakmile výrobek zcela vyřadíte z provozu, informujte se v příslušných recyklačních centrech nebo u specializovaného prodejce o příslušných předpisech o likvidaci odpadu.

## 15 Technické údaje

Pro všechny měniče platí následující technické údaje:

Výstupní napětí:	230/240 V~ ± 3 %, čistá sinusová vlna (činitel harmonického zkreslení <3 %)
Výstupní frekvence:	50/60 Hz ± 0,3 Hz
Odvod tepla:	ventilátor řízený teplotou a zátěží
Okolní teplota za provozu:	-20 °C až +60 °C
Okolní teplota při skladování:	-30 °C až +70 °C
Regulace výkonu:	≥40 °C
Přemostňovací relé:	16 A/250 V~
Přepínání přemostění se synchronizací napětí:	< 20 ms
Vzdušná vlhkost:	0 – 95 %, nekondenzující
Zkouška/certifikát:	

	<b>DSP1312T</b>	<b>DSP1812T</b>	<b>DSP1324T</b>	<b>DSP1824T</b>
Výr. č.:	9600002551	9600002553	9600002552	9600002554
Jmenovité vstupní napětí:	12 V $\overline{=}$		24 V $\overline{=}$	
Rozsah vstupního napětí:	10 – 16,5 V $\overline{=}$		20 – 33 V $\overline{=}$	
Jmenovitý výkon:	1200 W	1800 W	1200 W	1800 W
Maximální výkon na 10 min:	1300 W	1800 W	1300 W	1800 W
Maximální výkon na 3 min:	1380 W	2070 W	1380 W	2070 W
Nárazový výkon na 2 s:	2400 W	3600 W	2400 W	3600 W
Příkon při chodu naprázdno:	2,5 A	2,5 A	1,3 A	1,3 A
Příkon proudu v pohotovostním režimu při jmenovitém napětí:	<0,2 A	<0,2 A	<0,1 A	<0,1 A
Účinnost:	>89 %		>90 %	
Nastavení výkonu při vstupním napětí mezi 10,0 a 10,5 V:	1020 W	1530 W	1020 W	1530 W
Přizpůsobení výkonu při teplotách nad 40 °C:	1,75 % jmenovitého výkonu na stupeň nad 40 °C			
Rozměry Š x D x V:	obr. <b>15</b>			
Hmotnost:	4,8 kg	6,1 kg	4,8 kg	6,1 kg

	<b>DSP2312T</b>	<b>DSP3512T</b>	<b>DSP2324T</b>	<b>DSP3524T</b>
Výr. č.:	9600002555	9600002557	9600002556	9600002558
Jmenovité vstupní napětí:	12 V $\overline{=}$		24 V $\overline{=}$	
Rozsah vstupního napětí:	10 – 16,5 V $\overline{=}$		20 – 33 V $\overline{=}$	
Jmenovitý výkon:	2000 W	3000 W	2000 W	3000 W
Maximální výkon na 10 min ( $U_{IN} > 12,5$ V):	2300 W	3500 W	2300 W	3500 W
Maximální výkon na 3 min ( $U_{IN} > 10,5$ V):	2300 W	3500 W	2300 W	3500 W
Nárazový výkon na 2 s:	4000 W	6000 W	4000 W	6000 W
Příkon při chodu naprázdno:	2,8 A	3,6 A	1,4 A	1,8 A
Příkon proudu v pohotovostním režimu při jmenovitém napětí:	<0,2 A	<0,2 A	<0,15 A	<0,15 A
Účinnost:	>89 %		>90 %	
Nastavení výkonu při vstupním napětí mezi 10,0 a 10,5 V:	1700 W	2600 W	1700 W	2600 W
Přízpůsobení výkonu při teplotách nad 40 °C:	1,75 % jmenovitého výkonu na stupeň nad 40 °C			
Rozměry Š x D x V:	obr. <b>15</b>			
Hmotnost:	6,6 kg	10,9 kg	6,6 kg	10,9 kg

**Ochranná zařízení**

	<b>12 V</b>	<b>24 V</b>
Vstup:	Podpětí, ochrana proti přepólování (vnitřní pojistka)	
Výstup AC:	přepětí, zkrat, přetížení	
Vstup AC:	Jistič 16 A	
Teplota:	Vypnutí	
Zkratová ochrana:	Ano, Ipk	

**Přepětíová ochrana**

<b>Přístroj</b>	<b>Přepětí</b>	
	<b>Vypnutí</b>	<b>Restart</b>
DSP1312T, DSP1812T, DSP2312T, DSP3512T	16,5 V	15,5 V
DSP1324T, DSP1824T, DSP2324T, DSP3524T	33 V	31 V

**Podpětíová ochrana**

<b>Přístroj</b>	<b>Podpětí</b>	
	<b>Vypnutí</b>	<b>Restart</b>
DSP1312T, DSP1812T, DSP2312T, DSP3512T	10 V	12 V
DSP1324T, DSP1824T, DSP2324T, DSP3524T	20 V	24 V

Aktuální prohlášení o shodě EU k Vašemu přístroji obdržíte na příslušné stránce výrobku na adrese [dometic.com](http://dometic.com) nebo přímo přes výrobce (viz zadní strana).



**Beépítés és üzembe vétel előtt gondosan olvassa el és őrizze meg ezt a használati útmutatót. Ha a terméket továbbadja, mellékelje hozzá a használati útmutatót is.**

## Tartalomjegyzék

1	Szimbólumok magyarázata . . . . .	352
2	Általános biztonsági információk . . . . .	352
3	A csomag tartalma . . . . .	356
4	Tartozékok . . . . .	356
5	Az útmutató célcsoportja . . . . .	357
6	Rendeltetésszerű használat . . . . .	357
7	Műszaki leírás . . . . .	357
8	Az inverter felszerelése . . . . .	360
9	Az inverter csatlakoztatása . . . . .	362
10	Az inverter használata . . . . .	365
11	Az inverter karbantartása és tisztítása . . . . .	368
12	Hibaelhárítás . . . . .	369
13	Szavatosság . . . . .	370
14	Leselejtezés . . . . .	370
15	Műszaki adatok . . . . .	371

# 1 Szimbólumok magyarázata

**VESZÉLY!**

**Biztonsági tudnivaló:** Az utasítás figyelmen kívül hagyása halált vagy súlyos sérülést okoz.

**FIGYELMEZTETÉS!**

**Biztonsági tudnivaló:** Az utasítás figyelmen kívül hagyása halált vagy súlyos sérülést okozhat.

**FIGYELEM!**

Ha nem veszi figyelembe az információt, az anyagkárosodást eredményezhet, és káros kihatással lehet a termék működésére.

**MEGJEGYZÉS**

Kiegészítő információk a termék kezelésével kapcsolatosan.

## 2 Általános biztonsági információk

### 2.1 Általános biztonság

A gyártó a bekövetkező károkért a következő esetekben nem vállal felelősséget:

- szerelési vagy csatlakozási hiba
- a termék mechanikai behatások és túlfeszültségek miatti sérülése
- a termék kifejezett gyártói engedély nélküli módosítása
- az útmutatóban leírt céloktól eltérő felhasználás

Elektromos készülékek használata előtt vegye figyelembe az alábbi alapvető biztonsági intézkedéseket az alábbi veszélyek elleni védelem érdekében:

- áramütés
- tűzveszély
- sérülések

## 2.2 Alapvető biztonság



### VESZÉLY!

- Tűz esetén elektromos készülékek oltására alkalmas tűzoltó készüléket használjon.



### FIGYELMEZTETÉS!

- A készüléket csak rendeltetésszerűen használja.
- Ügyeljen arra, hogy a piros és fekete kapocs **soha** ne érintkezzen egymással.
- Az alábbi esetekben mindig húzza ki a készülék csatlakozódugóját a hálózati aljzattól:
  - minden tisztítás és karbantartás előtt
- Ha a készüléket szétszereli:
  - Oldja meg az összes csatlakozót.
  - Biztosítsa, hogy az összes be- és kimenet feszültségmentes legyen.
- Ha a készüléken vagy a csatlakozókábelben látható sérülések vannak, akkor a készüléket nem szabad üzembe helyezni.
- Ha a készülék csatlakozókábele megsérül, akkor azt – a veszélyeztetések elkerülése érdekében – a gyártóval, a vevőszolgálattal vagy egy hasonlóan képzett szakemberrel kell kicseréltetni.
- Javításokat csak szakemberek végezhetnek a készüléken. Nem szakemberű javítások jelentős veszélyeket okozhatnak.
- Jelen készüléket 8 év feletti gyermekek, valamint korlátozott fizikai, érzékszervi és szellemi képességű, illetve megfelelő tapasztalattal és/vagy tudással nem rendelkező személyek csak felügyelet mellett, illetve a készülék biztonságos használatát és az abból eredő veszélyeket megértve használhatják.
- **Az elektromos készülék nem gyerekjáték!**  
Ügy tartsa távol a készüléket, hogy gyermekek ne férhessenek hozzá.
- A gyermekekre figyelni kell, hogy a készülékkel ne játszanak.



### FIGYELEM!

- Üzembe helyezés előtt hasonlítsa össze a feszültségadatokat a típus-táblán a megjelölt energiaellátással.
- Ügyeljen arra, hogy más tárgyak **ne** okozhassanak rövidzárlatot a készülék érintkezőinél.

- Soha ne húzza ki a csatlakozódugót a csatlakozókábelnél fogva az aljzatból.
- A készüléket száraz és hűvös helyen tárolja.

## 2.3 Biztonság a készülék felszerelésénél



### VESZÉLY!

- Ne szerelje fel a készüléket olyan területeken, ahol gáz- vagy porrobbanás veszélye áll fenn.



### VIGYÁZAT!

- Ügyeljen a biztonságos elhelyezésre!  
A készüléket úgy kell biztonságosan felállítani, hogy ne borulhasson fel és ne eshessen le.



### FIGYELEM!

- Ne helyezze ki a készüléket hőforrás (napsugárzás, fűtés stb.) hatásának. Ezáltal elkerülheti a készülék további felmelegedését.
- A készüléket száraz és fröccsenő víz ellen védett helyen állítsa fel.

## 2.4 Biztonság a készülék elektromos csatlakoztatása során



### VESZÉLY! Áramütés miatti életveszély!

- Ha elektromos berendezéseken dolgozik, biztosítsa, hogy legyen valaki a közelben, aki vész helyzetben segítséget nyújthat.



### FIGYELMEZTETÉS!

- Ügyeljen a kielégítő vezeték-keresztmetszetre!
- A vezetékeket úgy vezesse, hogy azokat ajtók vagy motorháztetők ne sérthessék meg.  
Becsípődött kábelek életveszélyes sérüléseket okozhatnak.



### VIGYÁZAT!

- A vezetékeket úgy helyezze el, hogy ne keletkezzen botlásveszély és a kábel ne sérülhessen meg.



### FIGYELEM!

- Ha vezetékeket lemezburkolatokon vagy más éles peremű falakon kell átvezetnie, akkor használjon csöveket vagy átvezetőket.

- **Ne** vezessen 230 V-os hálózati vezetékét és 12 V-os egyenáramú vezetékét azonos kábelcsatornában (csőben).
- **Ne** a vezetékeket lazán vagy élesen megtörve.
- A vezetékeket jól rögzítse.
- A vezetékekre ne fejtsen ki húzóerőt.

## 2.5 Biztonság a készülék üzemeltetése során



### **VESZÉLY! Áramütés miatti életveszély!**

- Soha ne fogjon meg pusztá kézzel csupasz vezetékeket.



### **FIGYELMEZTETÉS!**

- A készüléket kizárólag zárt, jól szellőztetett helyiségekben használja.



### **VIGYÁZAT!**

- **Ne** használja a készüléket
  - sótartalmú, nedves vagy vizes környezetben
  - agresszív gőzök közelében
  - éghető anyagok közelében,
  - robbanásveszélyes területeken
- Üzembe helyezés előtt ügyeljen arra, hogy a vezeték és a dugasz száraz legyen.
- A készüléken végzendő munkák előtt mindig szakítsa meg az áramellátást.
- Vegye figyelembe, hogy a készülék részei egy védőberendezés (biztosíték) kioldása esetén is még feszültség alatt állhatnak.
- Ne oldjon meg kábeleket, ha a készülék még üzemben van.



### **FIGYELEM!**

- Ügyeljen arra, hogy a készülék levegőbevezető és -kivezető nyílásai ne legyenek elfedve.
- Gondoskodjon a megfelelő szellőzésről.

### 3 A csomag tartalma

<b>Tétel / 1. ábra</b>	<b>Megnevezés</b>
1	Színuszos inverter
2	Csatlakozókábel érintésvédett csatlakozóval (230 V~ -kimenethez)
3	Csatlakozókábel érintésvédett dugasszal (230 V~ -tápellátáshoz)
-	Kezelési útmutató

### 4 Tartozékok

<b>Megnevezés</b>	<b>Cikkszám:</b>
Távírányító	9600002564
Energiafigyelő	9600002565

## 5 Az útmutató célcsoportja

A következő fejezet kizárólag a megfelelő VDE-irányelveket ismerő szakemberek számára szól: „Az inverter csatlakoztatása” fejj., 362. oldal.

Az összes további fejezet a készülék felhasználóinak is szól.

## 6 Rendeltetészerű használat



### FIGYELMEZTETÉS!

Az invertert nem szabad olyan járműben használni, amelynél az akkumulátor pluszpólusa a karosszériával össze van kötve.

Az inverterek arra szolgálnak, hogy az egyenfeszültséget 50 Hz vagy 60 Hz frekvenciájú 230 – 240 V-os váltakozó feszültséggé alakítsák:

- **12 V**: DSP1312T, DSP1812T, DSP2312T, DSP3512T
- **24 V**: DSP1324T, DSP1824T, DSP2324T, DSP3524T

## 7 Műszaki leírás

Az inverterek bárhol üzemeltethetők, ahol rendelkezésre áll egyenáramú csatlakozó.

- **12 V**: DSP1312T, DSP1812T, DSP2312T, DSP3512T
- **24 V**: DSP1324T, DSP1824T, DSP2324T, DSP3524T

Az alacsony tömegű és kis méretű készülék könnyen beépíthető lakóautókba, haszonjárművekbe vagy motoros és vitorlášhajókba.

A kimeneti feszültség megfelel a háztartások dugaszolóaljzataiból nyerhető értéknek (tisztá szinuszfeszültség, torzítási tényező <3 %).

Vegye figyelembe a tartós kimeneti teljesítményre és a kimeneti csúcsteljesítményre vonatkozó értékeket, lásd: „Műszaki adatok” fejj., 371. oldal. Magasabb teljesítményű készülékeket nem szabad csatlakoztatni.



### MEGJEGYZÉS

Elektromos hajtással rendelkező készülékek (például fűrógép, hűtőgép stb.) csatlakoztatásánál vegye figyelembe, hogy ezek az induláshoz az adattáblán megadott értéknél nagyobb teljesítményt igényelnek.

Az inverter különböző védőmechanizmusokkal rendelkezik:

- **Túlfeszültség-védelem:** Az inverter kikapcsol, ha a feszültségérték a kikapcsolásérték fölé emelkedik. Csak a feszültség újraindítási érték alá csökkenése esetén indul újra.
- **Alacsony feszültség védelem:** Az inverter kikapcsol, ha a feszültségérték a kikapcsolásérték alá süllyed. Csak a feszültség újraindítási érték fölé növekedése esetén indul újra.
- **Túlmelegedés-védelem:** Az inverter kikapcsol, ha a készülékben uralkodó vagy a hűtőtesteken fennálló hőmérséklet túllép egy kikapcsolási értéket. Csak a feszültség újraindítási érték fölé növekedése esetén indul újra.
- **Túlterhelés-védelem és rövidzárlat-védelem:** Az inverteren lévő LED üzembiztosítást jelez, ha túl nagy terhelés van rácsatlakoztatva vagy rövidzárlat jött létre. A készülékbiztosítékot a túláram miatti kioldás után kézzel kell újból benyomni.



### MEGJEGYZÉS

Az egyes kapcsolási értékeket lásd: „Műszaki adatok” fejj., 371. oldal.

Az inverter a következő hálózati formákban üzemeltethető:

- **TN-hálózat:**  
Az inverter nullvezetéke rá van kapcsolva a földelésre. Telepíteni kell egy utánkapcsolt hibaáram védőkapcsolót.
- **IT-hálózat:**  
Mindkét fázis le van szigetelve. Ez egyetlen fogyasztó üzemeltetésére alkalmas. Ha egynél több fogyasztót csatlakoztat, akkor védelmi koncepciót kell kidolgozni (pl. szigetelésfelügyelet).

A hálózati formát a készüléken lévő DIP-kapcsolóval lehet konfigurálni.

A DSP13xxT, DSP18xxT, DSP23xxT inverterek a készülékre fixen felszerelt csatlakozókábellel, aljzattal és dugasszal rendelkeznek. A DSP35xxT invertert fém menetes csatlakozókkal közvetlenül csatlakoztatható a kapcsolókhoz.

Az inverter fázisszinkronizálással alkalmazkodik a váltakozó bemeneti feszültség fázishelyzetéhez. Ezzel elkerülhetők az akkumulátor-, és hálózati feszültség közötti átkapcsoláskor kialakuló feszültségcsúcsok.

Mivel a kimeneti feszültség tiszta szinuszhullám, ezért az inverter érzékeny fogyasztók üzemeltetésére is alkalmas.



Az inverter el van látva elsőbbségi kapcsolás funkcióval. Ha rendelkezésre áll külső 230 V~ feszültség, akkor a rendszer ezt részesíti előnyben. Ha nem áll rendelkezésre külső 230 V~ feszültség, akkor a feszültségellátás a csatlakoztatott akkumulátorról történik.

Az inverter energiatakarékos üzemmódba is kapcsolható; ezáltal a csatlakoztatott akkumulátor nem merül le túl hamar.

Az inverter távirányítóval (**tartozék**) kapcsolható be-, és ki.

Továbbá az inverter energiafigyelővel (**tartozék**) is vezérelhető.

## 7.1 Kezelőelemek

Tétel / 2. ábra	Megnevezés	Leírás
1	Főkapcsoló	<b>O</b> : Hosszabb időre kikapcsolja a készüléket <b>I</b> : Hosszabb időre bekapcsolja a készüléket <b>II</b> : A készülék távirányítóval ( <b>tartozék</b> ) kapcsolható be-, és ki
2	Állapotjelző LED	Lásd: „Üzemi jelzések” fejj., 365. oldal
3	Biztosíték	Az invertert védi túlterhelés ellen. A biztosíték a kioldás után újból nyomható.
4	DIP-kapcsoló	Beállításokat végez az inverteren Lásd: „Az inverter beállítása” fejj., 366. oldal

## 7.2 Csatlakozók



### MEGJEGYZÉS

Az ábrán a kontinentális európai piacokra készült változat látható.

Tétel / 2. ábra	Leírás
5	230 V~ bemenet ( <b>DSP 35xxT</b> : Fém menetes csatlakozó)
6	230 V~ kimenet ( <b>DSP 35xxT</b> : Fém menetes csatlakozó)
7	Földelőkapocs (Földelés a járműkarosszérián)
8	Pozitív kapocs
9	Negatív kapocs
10	CI/LIN-BUS csatlakozók (LINA)
11	Távírányító csatlakozója (LINB)
12	Távkapcsoló csatlakozója
13	Ventilátor (háttoldal)

## 8 Az inverter felszerelése



### MEGJEGYZÉS

Mielőtt felszereli az invertert, csatlakoztassa az összes kábelt, mivel ekkor még az összes csatlakozó akadálymentesen hozzáférhető.

### 8.1 Szükséges szerszám

Az **elektromos csatlakoztatás** elkészítéséhez a következő segédeszközök szükségesek:

- Krimpelőfogó
- 3 különböző színű rugalmas csatlakozókábel. A szükséges keresztmetszetet a „Az inverter csatlakoztatása” fejj., 362. oldal lévő táblázat tartalmazza.
- Kábelsaruk és érvéghüvelyek

Az inverter **rögzítéséhez** a következő szerelőeszközök szükségesek:

- Gépcsavarak (M4) alátétekkel és önzáró anyákkal vagy
- Lemez, ill. facsavarak.

## 8.2 Szerelési útmutatások

A felszerelési hely kiválasztásánál vegye figyelembe a következő megjegyzéseket:

- Az inverter vízszintesen és függőlegesen is felszerelhető.
- Az invertert nedvességtől védett helyen kell beépíteni.
- Az invertert nem szabad gyúlékony anyagokat tartalmazó környezetekben beépíteni.
- Az invertert nem szabad poros környezetekben beépíteni.
- A beépítési helynek jól kell szellőznie. Zárt helyiségekben történő telepítés esetén befúvásos és elszívásos szellőzésről kell gondoskodni. Az inverter körüli szabad távolság legalább 5 cm legyen (**3.** ábra).
- Hagyja szabadon az inverter első és hátsó oldalán lévő szellőzőnyílásokat.
- 40 °C-nál magasabb környezeti hőmérséklet esetén (pl. gépészeti-, vagy kazán-helyiségekben, közvetlen napsugárzásnak kitett helyen) az inverter annak ellenére lekapcsolhat, hogy a csatlakoztatott fogyasztók teljesítménye a névleges terhelés alatt van (derating).
- A felszerelési felületnek simának és kellő szilárdságúnak kell lennie.



### FIGYELEM!

Furatok készítése előtt ellenőrizze, hogy a fúrás, fúrészelés vagy reszelés nem okozta-e a jármű elektromos kábeleinek vagy más alkatrészeinek sérülését.

## 8.3 Az inverter felszerelése

- ▶ Az invertert az ábrán látható módon szerelje fel (**4.** ábra).

## 9 Az inverter csatlakoztatása

### 9.1 Általános útmutatások



#### FIGYELMEZTETÉS!

- Az inverter csatlakoztatását kizárólag megfelelően képzett szakcégek végezhetik. A következő információk olyan szakembereknek szólnak, akik az alkalmazandó irányelveket és a biztonsági óvintézkedéseket ismerik.
- Az inverter **nem** használható olyan járműveknél, ahol az akkumulátor pozitív pólusa össze van kapcsolva a karosszériával.
- Ha nem helyez biztosítékot az akkumulátor **pozitív vezetékére**, akkor a vezetékek túlterhelődhetnek és tűz keletkezhet.

- Az invertert a járművekbe vagy hajókra történő beszerelés során össze kell kötni a karosszériával, illetve testtel.
- Dugaszolóaljzat-elosztókör (hálózat) kiépítése esetén tartsa be a VDE 0100 előírásait.
- Kizárólag rézkábelt használjon.
- A lehető legrövidebb kábeleket használja (< 1 m).
- A földeléshez alkalmazzon legalább 4 mm<sup>2</sup> keresztmetszetű kábelt.
- Tartsa be a szükséges kábelkeresztmetszetet és helyezzen el egy kábelbiztosítékot (6. ábra 1) az akkumulátor közelében a pozitív vezetékbe (lásd a táblázatban).

Készülék	Szükséges kábelkeresztmetszet	Kábelbiztosíték
DSP1312T	35 mm <sup>2</sup>	200 A
DSP1324T	25 mm <sup>2</sup>	150 A
DSP1812T	50 mm <sup>2</sup>	250 A
DSP1824T	25 mm <sup>2</sup>	150 A
DSP2312T	70 mm <sup>2</sup>	300 A
DSP2324T	35 mm <sup>2</sup>	200 A
DSP3512T	2 x 50 mm <sup>2</sup>	2 x 250 A
DSP3524T	50 mm <sup>2</sup>	250 A

## 9.2 Az inverter csatlakoztatása



### FIGYELMEZTETÉS!

A váltakozó feszültségű kimeneti vezeték csatlakoztatása előtt biztosítsa, hogy az inverter a ki legyen kapcsolva a főkapcsolónál.



### FIGYELEM!

Ügyeljen arra, hogy a polaritás ne legyen felcserélve. A helytelen polaritás károsíthatja az invertert.



### MEGJEGYZÉS

A csavarokat vagy anyákat max. 15 Nm-es nyomatékkal húzza meg. Laza kötések túlmelegedést okozhatnak.

- Az invertert az ábrán látható módon csatlakoztassa:
  - Az akkumulátor csatlakoztatása: **5**. ábra és **6**. ábra
  - Földelőkapocs csatlakoztatása: **7**. ábra
  - A 230 V-os tápvezeték csatlakoztatása: **8**. ábra (INPUT)
  - A 230 V-os kimeneti vezeték csatlakoztatása: **8**. ábra (OUTPUT)

## 9.3 Több fogyasztó csatlakoztatása

A készülék gyári kivitelben galvanikus elválasztással rendelkezik. Több fogyasztó biztonságos üzemeléséhez feltétlenül be kell építeni a dugaszolóaljzat-elosztókörbe egy védőkapcsolót (hibaáram védőkapcsoló).

- A dugaszolóaljzat-elosztókörbe építsen be egy hibaáram védőkapcsolót.

## 9.4 A távirányító csatlakoztatása (tartozék)



### FIGYELEM!

A távirányító csatlakozását kizárólag a Remote portba illessze be. Hibás csatlakozás esetén a készülék megsérülhet.

- Az ábrán látható módon csatlakoztassa a távirányítót (**9**. ábra).

## 9.5 Külső kapcsoló csatlakoztatása a be- és kikapcsoláshoz



### MEGJEGYZÉS

A csatlakoztatáshoz 0,25 – 0,75 mm<sup>2</sup> közötti keresztmetszetű kábelt használjon.

Külső kapcsolóként a következőkből választhat:

- külső kapcsoló, feszültségellátás az inverterből: **10.** ábra A
  - vezérlőegység relé- vagy tranzisztorkapcsolással (TR): **10.** ábra B
  - külső kapcsoló feszültségellátással a jármű akkumulátorán (BAT) keresztül: **10.** ábra C
  - külső kapcsoló saját feszültségellátással (DC POWER), például a gyújtásról: **10.** ábra D
- Állítsa a főkapcsolót (**2.** ábra 1) „OFF” helyzetbe.
  - Ellenőrizze, hogy a távirányító csatlakozója (**2.** ábra 11) nem foglalt-e.
  - Állítsa a főkapcsolót (**2.** ábra 1) „REMO” helyzetbe.
  - A csatlakozókábellel csatlakoztassa a külső be-/ki kapcsolót a kapcsolóhoz (**2.** ábra 12).

## 9.6 Relé csatlakoztatása

Csatlakoztathat egy relét, amely jelzi, hogy csatlakoztatva van-e a 230 V-os bemenet. Így létrehozhat például egy indításgátlót, amely megakadályozza a jármű elindítását, ha csatlakoztatva van-e a 230 V-os bemenet.

- A relét az ábrán látható módon csatlakoztassa (**11.** ábra):
  - NO (Normally Open): Munkaérintkező
  - COM (Common): Váltóérintkező
  - NC (Normally Closed): Nyugalmi érintkező

A relé specifikációja:

Maximális feszültség	Terhelés	Áramfelvétel	
		NO	NC
250 V~	Ohmos	0,5 A	0,5 A
12 V/24 V===	Ohmos	1 A	1 A

## 10 Az inverter használata

### 10.1 Az inverter bekapcsolása

- ▶ Állítsa az inverter főkapcsolóját (2. ábra 1) a következő állásba:
  - „0”: az inverter hosszabb időre történő kikapcsolásához
  - „I”: az inverter hosszabb időre történő bekapcsolásához
  - „II”: az inverter távirányítóval (**tartozék**) történő be-, és kikapcsolásához
- ▶ Az inverter a bekapcsoláskor öntesztet hajt végre.
- ✓ A sikeres önteszt után a LED kéken világít (2. ábra 2).

### 10.2 Üzemi jelzések

A kék LED (2. ábra 2) az inverter üzemállapotát jelzi.

Jelzés	Bemeneti feszültség
Folyamatosan világít	Normál üzem
Lassan villog, rövid megszakítással	Az inverter túlmelegedett/túlterhelődött
Gyorsan villog	Túlfeszültség/alacsony feszültség
Rövid villogás, hosszú megszakítással	A szigetelésfelügyelet lekapcsolta az invertert
Ki	Egyéb hiba

Az inverter a következő esetekben kikapcsol:

- Az akkumulátorfeszültség 10 V (12 V---csatlakozás) ill. 20 V (24 V---csatlakozás) alá csökken.
  - Az akkumulátorfeszültség 16,5 V (12 V---csatlakozás) ill. 33 V (24 V---csatlakozás) fölé emelkedik.
  - Az inverter túlterhelődik.
  - Az inverter túlmelegszik.
- ▶ Ebben az esetben a főkapcsolóval kapcsolja ki az invertert (2. ábra 1).
  - ▶ Ellenőrizze, hogy az inverter megfelelően szellőzik-e és hogy a szellőzőnyílások és szellőzőrések szabadon vannak-e.
  - ▶ Várjon kb. 5 – 10 percet és fogyasztó nélkül kapcsolja be újból az invertert.

## 10.3 Az energiatakarékos üzemmód beállítása



### MEGJEGYZÉS

Az energiatakarékos üzemmód csak távirányítóval kapcsolható be-, és ki.

## 10.4 Az inverter beállítása

A készüléket a DIP-kapcsolóval (2. ábra 4) állíthatja be.

### A beállítások meghatározása

Az S1 DIP-kapcsolóval lehet meghatározni, hogy a paraméterek beállítása egy CI-BUS-kompatibilis kezelőpanel csatlakozásával, vagy a DIP-kapcsolóval történjen-e.

Paraméter	DIP-kapcsoló
	S1
Csatlakozás a távirányító számára	Ki
DIP-kapcsoló	Be

### A hálózati feszültség beállítása

Az S2 DIP-kapcsolóval a hálózati feszültség állítható be.

Hálózati feszültség	DIP-kapcsoló
	S2
230 V/50 Hz	Ki
240 V/60 Hz	Be



## Az energiatakarékos üzemmód beállítása

Az S3 és S4 DIP-kapcsolókkal az energiatakarékos üzemmód állítható be. Ezáltal az inverterhez csatlakoztatott akkumulátor nem fog olyan gyorsan lemerülni.

Ilyen esetben az inverter energiatakarékos üzemmódban működik mindaddig, amíg a szükséges teljesítmény a beállított teljesítményérték alatt van. Ha a szükséges teljesítmény a beállított teljesítményérték fölött van, akkor az inverter normál üzemmódban működik.

Az inverterhez beállítandó értékek a következő táblázatból határozhatók meg:

Energiatakarékos üzemmód	DIP-kapcsoló	
	S3	S4
Ha a terhelés < 45 W, akkor a rendszer aktiválja az energiatakarékos üzemmódot Ha a terhelés > 45 W, akkor a rendszer aktiválja a normál üzemmódot	Ki	Ki
Ha a terhelés < 1 W, akkor a rendszer aktiválja az energiatakarékos üzemmódot 20 perc energiatakarékos üzemmód után az inverter automatikusan kikapcsol Ha a terhelés > 1 W, akkor a rendszer aktiválja a normál üzemmódot	Be	Ki
Ha a terhelés < 1 W, akkor a rendszer aktiválja az energiatakarékos üzemmódot Ha a terhelés > 1 W, akkor a rendszer aktiválja a normál üzemmódot	Ki	Be
Ha a terhelés $\geq$ 45 W, akkor a rendszer aktiválja az energiatakarékos üzemmódot 20 perc energiatakarékos üzemmód után az inverter automatikusan kikapcsol Ha a terhelés > 45 W, akkor a rendszer aktiválja a normál üzemmódot	Be	Be

## A hálózati forma beállítása

Az S5 DIP-kapcsolóval határozhatja meg, hogy milyen hálózati formában üzemelteti az invertert.

Paraméter	DIP-kapcsoló
	S5
TN-hálózat Külső, utánkapcsolt <b>hibaáram védőkapcsolóra van szükség.</b>	Ki
IT-hálózat Csak egyetlen fogyasztóval üzemeltethető, vagy külső szigetelésfelügyeletet kell telepíteni. <b>Vegye figyelembe a nemzeti irányelveket!</b>	Be

## 11 Az inverter karbantartása és tisztítása



### FIGYELEM!

Ne használjon éles vagy kemény eszközöket vagy tisztítószerket a tisztításhoz, mivel azok a termék sérülését okozhatják.

- Alkalmanként tisztítsa meg a terméket nedves ruhával.

## 12 Hibaelhárítás



### FIGYELMEZTETÉS!

Ne nyissa ki a készüléket. Áramütés veszélyének teszi ki magát!



### MEGJEGYZÉS

Az **inverter** részletes **adataira** vonatkozó kérdésekkel forduljon a gyártóhoz (a címeteket lásd az útmutató hátoldalán).

A LED (2. ábra 2) hibát jelez:

LED jelzés	Ok	Elhárítás
Gyorsan villog	Túl magas bemeneti feszültség	Ellenőrizze és csökkentse a bemeneti feszültséget.
	Túl alacsony bemeneti feszültség	Az akkumulátor utántöltést igényel. Ellenőrizze a vezetékeket és a csatlakozásokat.
2 másodpercig világít, rövid megszakitással	Túlmelegedés	Kapcsolja ki az invertert és a fogyasztót. Várjon kb. 5 – 10 percet, majd kapcsolja be újból az invertert fogyasztók nélkül. Csökkentse a terhelést és gondoskodjon az inverter jobb szellőzéséről. Ezt követően kapcsolja be újból a fogyasztót.
	Túl magas terhelés	Kapcsolja ki az invertert és távolítsa el a fogyasztót. Kapcsolja be újból az invertert fogyasztó nélkül. Ha ezt követően már nincs túlterheléses kijelzés, akkor a fogyasztónál fellépett rövidzárlat áll fenn vagy a teljes terhelés nagyobb volt az adatlapon megadott teljesítményél. Ellenőrizze a vezetékeket és a csatlakozásokat. Nyomja vissza a készülék biztosítékát.
Ki	Egyéb hiba	Forduljon a vevőszolgálathoz.

## 13 Szavatosság

A termékre a törvény szerinti szavatossági időszak érvényes. A termék meghibásodása esetén forduljon a gyártói lerakathoz (a címeket lásd jelen útmutató hátoldalán), illetve az illetékes szakkereskedőhöz.

A javításhoz, illetve a szavatossági adminisztrációhoz a következő dokumentumokat kell mellékelnie:

- a számla vásárlási dátummal rendelkező másolatát,
- a reklamáció okát vagy a hibát tartalmazó leírást.

## 14 Leselejtezés



- ▶ A csomagolóanyagot lehetőleg a megfelelő újrahasznosítható hulladék közé tegye.



Ha a terméket véglegesen kivonja a forgalomból, kérjük, tájékozódjon a legközelebbi hulladékártalmatlanító központnál vagy a szakkereskedőjénél az idevonatkozó ártalmatlanítási előírásokkal kapcsolatban.

## 15 Műszaki adatok

A következő műszaki adatok az összes inverterre vonatkoznak:

Kimeneti feszültség:	230/240 V~ ± 3 %, tiszta szinuszhullám (torzítási tényező <3 %)
Kimeneti frekvencia:	50/60 Hz ± 0,3 Hz
Hőelvezetés:	hőmérséklet-, és terhelésvezérelt ventilátor
Környezeti hőmérséklet, üzem:	-20 °C és +60 °C között
Környezeti hőmérséklet, tárolás:	-30 °C és +70 °C között
Teljesítményszabályozás:	≥40 °C
Áthidalórelé:	16 A / 250 V~
Áthidalási átkapcsolás feszültségszinkronizálással:	<20 ms
Légnedvesség:	0 – 95 %, nem kondenzálódó
Vizsgálat / tanúsítvány:	 

	<b>DSP1312T</b>	<b>DSP1812T</b>	<b>DSP1324T</b>	<b>DSP1824T</b>
Cikkszám:	9600002551	9600002553	9600002552	9600002554
Névleges bemeneti feszültség:	12 V $\equiv$		24 V $\equiv$	
Bemeneti feszültségtartomány:	10 – 16,5 V $\equiv$		20 – 33 V $\equiv$	
Névleges teljesítmény:	1200 W	1800 W	1200 W	1800 W
Maximális teljesítmény 10 perc időtartamig:	1300 W	1800 W	1300 W	1800 W
Maximális teljesítmény 3 perc időtartamig:	1380 W	2070 W	1380 W	2070 W
Csúcsteljesítmény 2 másodperc időtartamig:	2400 W	3600 W	2400 W	3600 W
Üresjáratú áramfelvétel:	2,5 A	2,5 A	1,3 A	1,3 A
Készletléti áramfelvétel névleges feszültségen:	<0,2 A	<0,2 A	<0,1 A	<0,1 A
Hatásfok:	>89 %		>90 %	
Teljesítménykorrekció 10,0 V és 10,5 V közötti bemeneti feszültség esetén:	1020 W	1530 W	1020 W	1530 W
Teljesítménykorrekció 40 °C feletti hőmérséklet esetén:	A névleges teljesítmény 1,75 %-a fokként 40 °C felett			
Méret (szélesség x mélység x magasság):	<b>15.</b> ábra			
Súly:	4,8 kg	6,1 kg	4,8 kg	6,1 kg

	<b>DSP2312T</b>	<b>DSP3512T</b>	<b>DSP2324T</b>	<b>DSP3524T</b>
Cikkszám:	9600002555	9600002557	9600002556	9600002558
Névleges bemeneti feszültség:	12 V $\equiv$		24 V $\equiv$	
Bemeneti feszültségtartomány:	10 – 16,5 V $\equiv$		20 – 33 V $\equiv$	
Névleges teljesítmény:	2000 W	3000 W	2000 W	3000 W
Maximális teljesítmény 10 perc időtartamig ( $U_{IN} > 12,5$ V):	2300 W	3500 W	2300 W	3500 W
Maximális teljesítmény 3 perc időtartamig ( $U_{IN} > 10,5$ V):	2300 W	3500 W	2300 W	3500 W
Csúcsteljesítmény 2 másodperc időtartamig:	4000 W	6000 W	4000 W	6000 W
Üresjáratú áramfelvétel:	2,8 A	3,6 A	1,4 A	1,8 A
Készletbeli áramfelvétel névleges feszültségen:	<0,2 A	<0,2 A	<0,15 A	<0,15 A
Hatásfok:	>89 %		>90 %	
Teljesítménykorrekció 10,0 V és 10,5 V közötti bemeneti feszültség esetén:	1700 W	2600 W	1700 W	2600 W
Teljesítménykorrekció 40 °C feletti hőmérséklet esetén:	A névleges teljesítmény 1,75 %-a fokként 40 °C felett			
Méret (szélesség x mélység x magasság):	<b>15</b> . ábra			
Súly:	6,6 kg	10,9 kg	6,6 kg	10,9 kg

**Védőberendezések**

	<b>12 V</b>	<b>24 V</b>
Bemenet:	Alacsony feszültség, polaritásvédelem (belső biztosíték)	
Váltakozó áramú kimenet:	Túlfeszültség, rövidzárlat, túlterhelés	
Váltakozó áramú bemenet:	16 A-es védőkapcsoló	
Hőmérséklet:	Lekapcsolás	
Rövidzárlat védelem:	Igen, Ipk	

**Túlfeszültség-védelem**

<b>Készülék</b>	<b>Túlfeszültség</b>	
	<b>Lekapcsolás</b>	<b>Újrarendítés</b>
DSP1312T, DSP1812T, DSP2312T, DSP3512T	16,5 V	15,5 V
DSP1324T, DSP1824T, DSP2324T, DSP3524T	33 V	31 V

**Alacsony feszültség védelem**

<b>Készülék</b>	<b>Alacsony feszültség</b>	
	<b>Lekapcsolás</b>	<b>Újrarendítés</b>
DSP1312T, DSP1812T, DSP2312T, DSP3512T	10 V	12 V
DSP1324T, DSP1824T, DSP2324T, DSP3524T	20 V	24 V

Készüléke aktuális EU megfelelőségi nyilatkozatát a [dometic.com](http://dometic.com) honlap vonatkozó termékoldalán találhatja meg, vagy közvetlenül a gyártótól szerezheti be (lásd a hátoldalon).





**GERMANY****Dometic WAECO International GmbH**

Hollefeldstraße 63 · D-48282 Emsdetten  
 ☎ +49 (0) 2572 879-0 · 📠 +49 (0) 2572 879-300  
 Mail: info@dometic-waeco.de

**dometic.com****AUSTRALIA****Dometic Australia Pty. Ltd.**

1 John Duncan Court  
 Varsity Lakes QLD 4227  
 ☎ 1800 212121  
 📠 +61 7 55076001  
 Mail: sales@dometic.com.au

**AUSTRIA****Dometic Austria GmbH**

Neudorferstraße 108  
 A-2353 Guntramsdorf  
 ☎ +43 2236 908070  
 📠 +43 2236 90807060  
 Mail: info@dometic.at

**BENELUX****Dometic Branch Office Belgium**

Zincstraat 3  
 B-1500 Halle  
 ☎ +32 2 3598040  
 📠 +32 2 3598050  
 Mail: info@dometic.be

**BRAZIL****Dometic DO Brasil LTDA**

Avenida Paulista 1754, conj. 111  
 SP 01310-920 Sao Paulo  
 ☎ +55 11 3251 3352  
 📠 +55 11 3251 3362  
 Mail: info@dometic.com.br

**DENMARK****Dometic Denmark A/S**

Nordensvej 15, Taulov  
 DK-7000 Fredericia  
 ☎ +45 75585966  
 📠 +45 75586307  
 Mail: info@dometic.dk

**FINLAND****Dometic Finland OY**

Mestariitie 4  
 FIN-01730 Vantaa  
 ☎ +358 20 7413220  
 📠 +358 9 7593700  
 Mail: info@dometic.fi

**FRANCE****Dometic SAS**

ZA du Pré de la Dame Jeanne  
 B.P. 5  
 F-60128 Pleilly  
 ☎ +33 3 44633525  
 📠 +33 3 44633518  
 Mail: vehiculesdeloisirs@dometic.fr

**HONG KONG****Dometic Group Asia Pacific**

Suites 2207-11 / 22/F - Tower 1  
 The Gateway - 25 Canton Road,  
 Tsim Sha Tsui - Kowloon  
 ☎ +852 2 4611386  
 📠 +852 2 4665553  
 Mail: info@waeco.com.hk

**HUNGARY****Dometic Zrt. Sales Office**

Kerekgyártó u. 5.  
 H-1147 Budapest  
 ☎ +36 1 468 4400  
 📠 +36 1 468 4401  
 Mail: budapest@dometic.hu

**ITALY****Dometic Italy S.r.l.**

Via Virgilio, 3  
 I-47122 Forlì (FC)  
 ☎ +39 0543 754901  
 📠 +39 0543 754983  
 Mail: vendite@dometic.it

**JAPAN****Dometic KK**

Maekawa-Shibaura, Bldg. 2  
 2-13-9 Shibaura Minato-ku  
 Tokyo 108-0023  
 ☎ +81 3 5445 3333  
 📠 +81 3 5445 3339  
 Mail: info@dometic.jp

**MEXICO****Dometic Mx, S. de R. L. de C. V.**

Circuito Médicos No. 6 Local 1  
 Colonia Ciudad Satélite  
 CP 53100 Naucalpan de Juárez  
 Estado de México  
 ☎ +52 55 5374 4108  
 📠 +52 55 5393 4683  
 Mail: info@dometic.com.mx

**NETHERLANDS****Dometic Benelux B.V.**

Ecustraet 3  
 NL-4879 NP Etten-Leur  
 ☎ +31 76 5029000  
 📠 +31 76 5029019  
 Mail: info@dometic.nl

**NEW ZEALAND****Dometic New Zealand Ltd.**

PO Box 12011  
 Penrose  
 Auckland 1642  
 ☎ +64 9 622 1490  
 📠 +64 9 622 1573  
 Mail: customerservices@dometic.co.nz

**NORWAY****Dometic Norway AS**

Østerøyveien 46  
 N-3232 Sandefjord  
 ☎ +47 33428450  
 📠 +47 33428459  
 Mail: firmapost@dometic.no

**POLAND****Dometic Poland Sp. z o.o.**

Ul. Puławska 435A  
 PL-02-801 Warszawa  
 ☎ +48 22 414 3200  
 📠 +48 22 414 3201  
 Mail: info@dometic.pl

**PORTUGAL****Dometic Spain, S.L.**

Branch Office em Portugal  
 Rot. de São Gonçalo nº 1 – Esc. 12  
 2775-399 Carcavelos  
 ☎ +351 219 244 173  
 📠 +351 219 243 206  
 Mail: info@dometic.pt

**RUSSIA****Dometic RUS LLC**

Komsomolskaya square 6-1  
 RU-107140 Moscow  
 ☎ +7 495 780 79 39  
 📠 +7 495 916 56 53  
 Mail: info@dometic.ru

**SINGAPORE****Dometic Pte Ltd**

18 Boon Lay Way 06-140 Trade Hub 21  
 Singapore 609966  
 ☎ +65 6795 3177  
 📠 +65 6862 6620  
 Mail: dometic@dometic.com.sg

**SLOVAKIA****Dometic Slovakia s.r.o. Sales Office Bratislava**

Nádražná 34/A  
 900 28 Ivanka pri Dunaji  
 ☎/📠 +421 2 45 529 680  
 Mail: bratislava@dometic.com

**SOUTH AFRICA****Dometic (Pty) Ltd.****Regional Office****South Africa & Sub-Saharan Africa**

2 Avalon Road  
 West Lake View Ext 11  
 Modderfontein 1645  
 Johannesburg  
 ☎ +27 11 4504978  
 📠 +27 11 4504976  
 Mail: info@dometic.co.za

**SPAIN****Dometic Spain S.L.**

Avda. Sierra del Guadarrama, 16  
 E-28691 Villanueva de la Cañada  
 Madrid  
 ☎ +34 91 833 60 89  
 📠 +34 900 100 245  
 Mail: info@dometic.es

**SWEDEN****Dometic Scandinavia AB**

Gustaf Melins gata 7  
 S-42131 Västra Frölunda  
 ☎ +46 31 7341100  
 📠 +46 31 7341101  
 Mail: info@dometicgroup.se

**SWITZERLAND****Dometic Switzerland AG**

Riedackerstrasse 7a  
 CH-8153 Rümlang  
 ☎ +41 44 8187171  
 📠 +41 44 8187191  
 Mail: info@dometic.ch

**UNITED ARAB EMIRATES****Dometic Middle East FZCO**

P. O. Box 17860  
 S-D 6, Jebel Ali Freezone  
 Dubai  
 ☎ +971 4 883 3858  
 📠 +971 4 883 3868  
 Mail: info@dometic.ae

**UNITED KINGDOM****Dometic UK Ltd.**

Dometic House, The Brewery  
 Blandford St. Mary  
 Dorset DT11 9LS  
 ☎ +44 344 626 0133  
 📠 +44 344 626 0143  
 Mail: customerservices@dometic.co.uk

**USA****Dometic RV Division**

1120 North Main Street  
 Elkhart, IN 46515  
 ☎ +1 574-264-2131